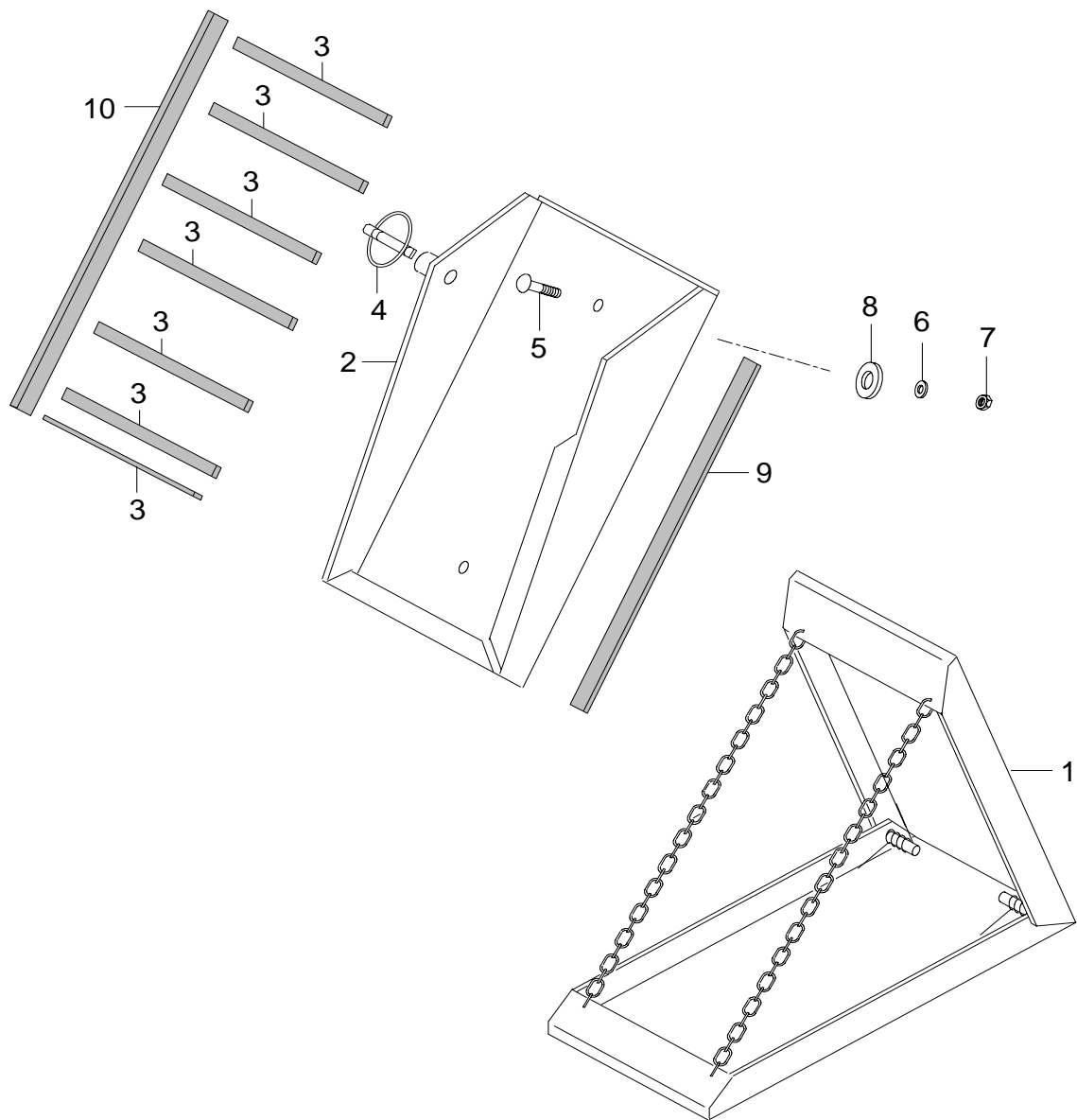
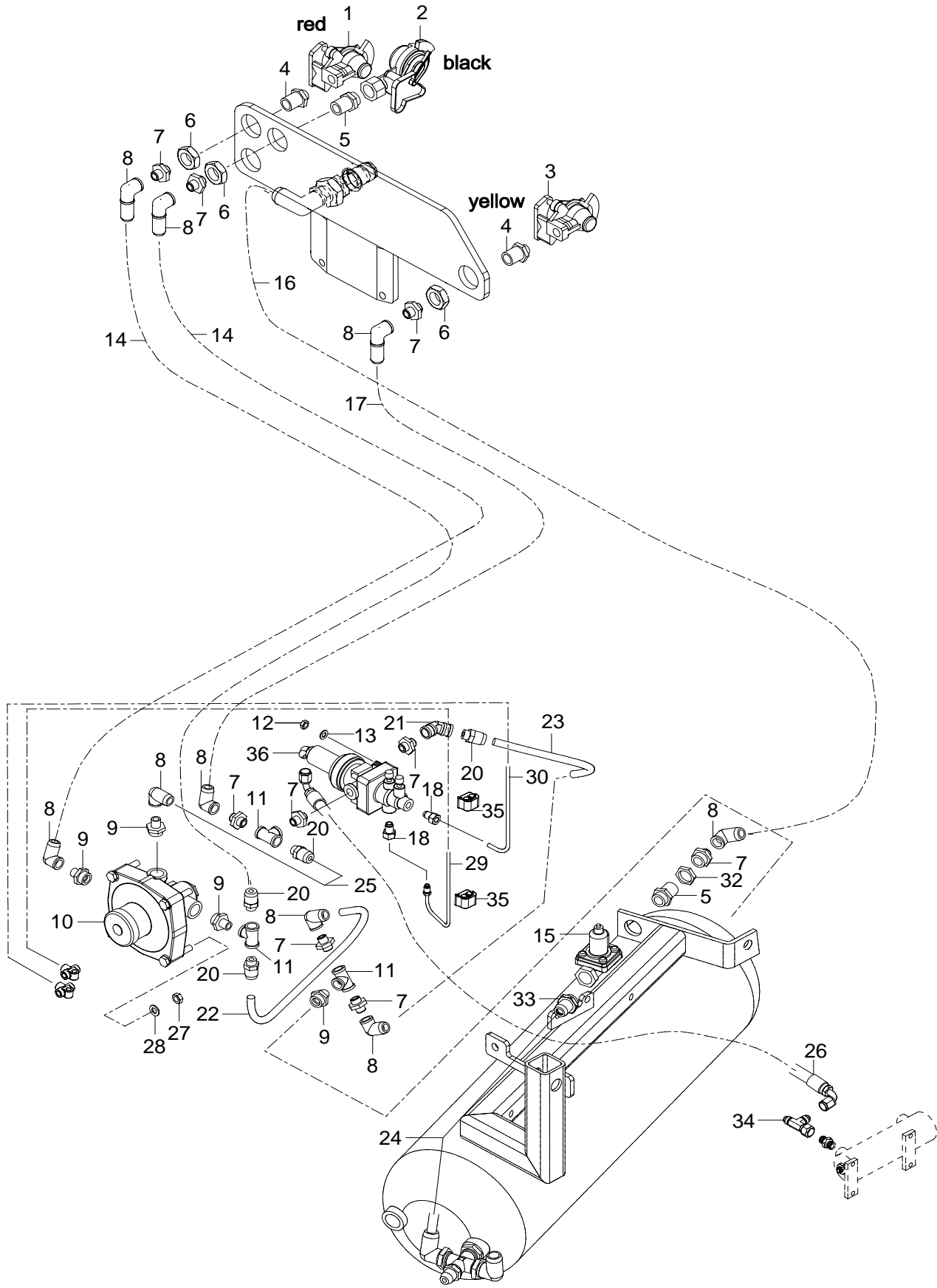


JARRUKIILA (LISÄVARUSTE)	BROMSSKIL (EXTRA UTRUSTNING)	BRAKE KEY (OPTIONAL EQUIPMENT)	BREMSKEIL (EXTRAZUBEHÖR)	CLE DE FREIN (EQUIPEMENT OPTIONNEL)	59-03  14.3.2008 N82h, N92h
-----------------------------	---------------------------------	-----------------------------------	-----------------------------	---	--------------------------------------





PAINELMAJARRUT, DUO-MATIC (LISÄVARUSTE)

TRYCKLUFTSBROMS, DUO-MATIC (EXTRA UTRUSTNING)

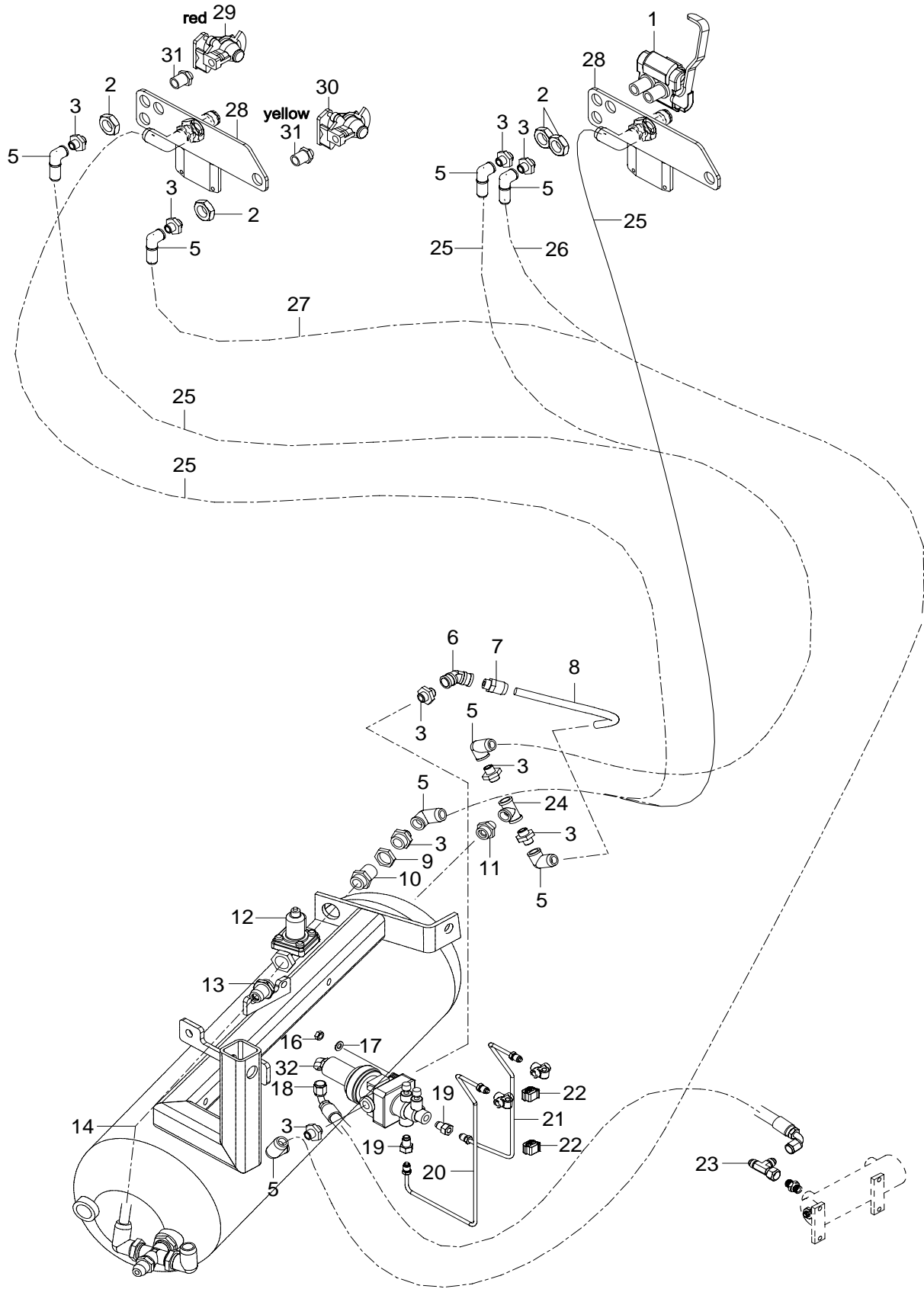
AIR PRESSURE BRAKE, DUO-MATIC (OPTIONAL EQUIPMENT)

LUFTDRUCK BREMSE, DUO-MATIC (EXTRAZUBEHÖR)

FREIN A PRESSION D'AIR, DUO-MATIC (EQUIPEMENT OPTIONNEL)

59-07

14.3.2008  
N82h, N92h





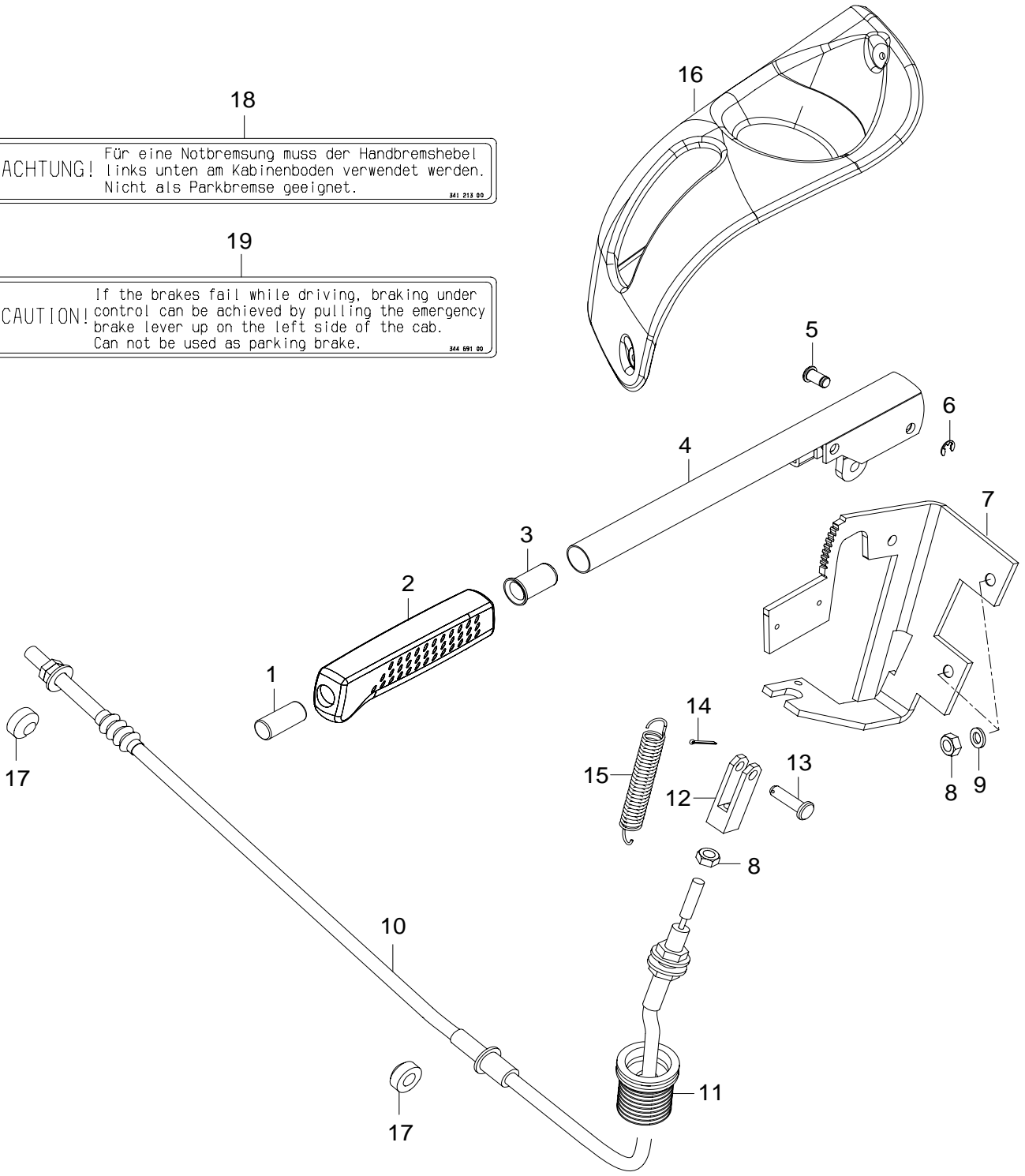
HÄTÄJARRU (LISÄVARUSTE)	NÖDBROMS (EXTRA UTRUSTNING)	EMERGENCY BRAKE (OPTIONAL EQUIPMENT)	NOTBREMSE (EXTRAZUBEHÖR)	FREIN DE SECOURS (EQUIPEMENT OPTIONNEL)	59-09  14.3.2008 N82h, N92h
----------------------------	--------------------------------	---	-----------------------------	---	--------------------------------------

18

**ACHTUNG!** Für eine Notbremsung muss der Handbremshebel links unten am Kabinenboden verwendet werden. Nicht als Parkbremse geeignet. 341 213 00

19

**CAUTION!** If the brakes fail while driving, braking under control can be achieved by pulling the emergency brake lever up on the left side of the cab. Can not be used as parking brake. 344 691 00



JARRUPOLKIMET  
(LISÄVARUSTE)

BROMSPEDALER (EXTRA  
UTRUSTNING)

BRAKE PEDALS  
(OPTIONAL EQUIPMENT)

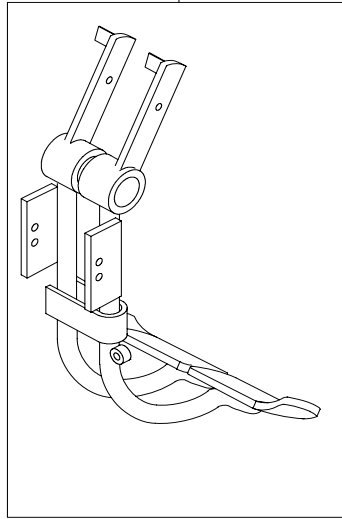
BREMSPEDALE  
(EXTRAZUBEHÖR)

PÉDALES DE FREIN  
(EQUIPEMENT  
OPTIONNEL)

59-11

14.3.2008  
N82h, N92h

1



2

