

OHJAUSSYLINTERI 4WD  
DANA 730

STYRCYLINDER 4WD  
DANA 730

STEERING CYLINDER  
4WD DANA 730

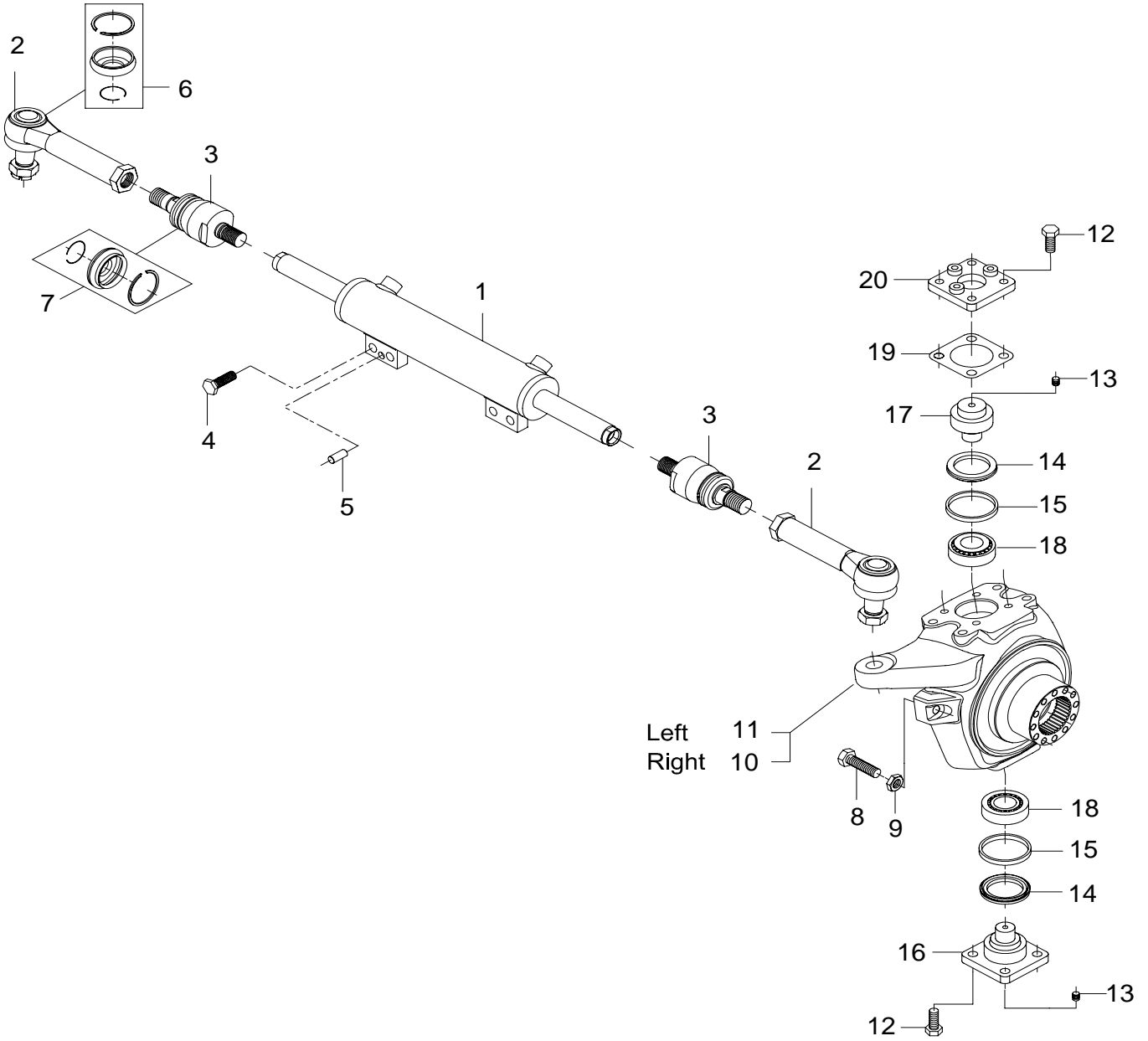
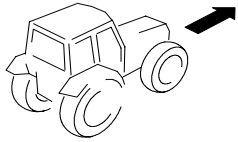
LENKZYLINDER 4WD  
DANA 730

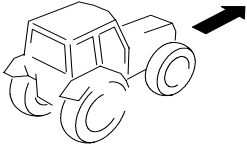
VERIN DE DIRECTION  
4WD DANA 730

61-05

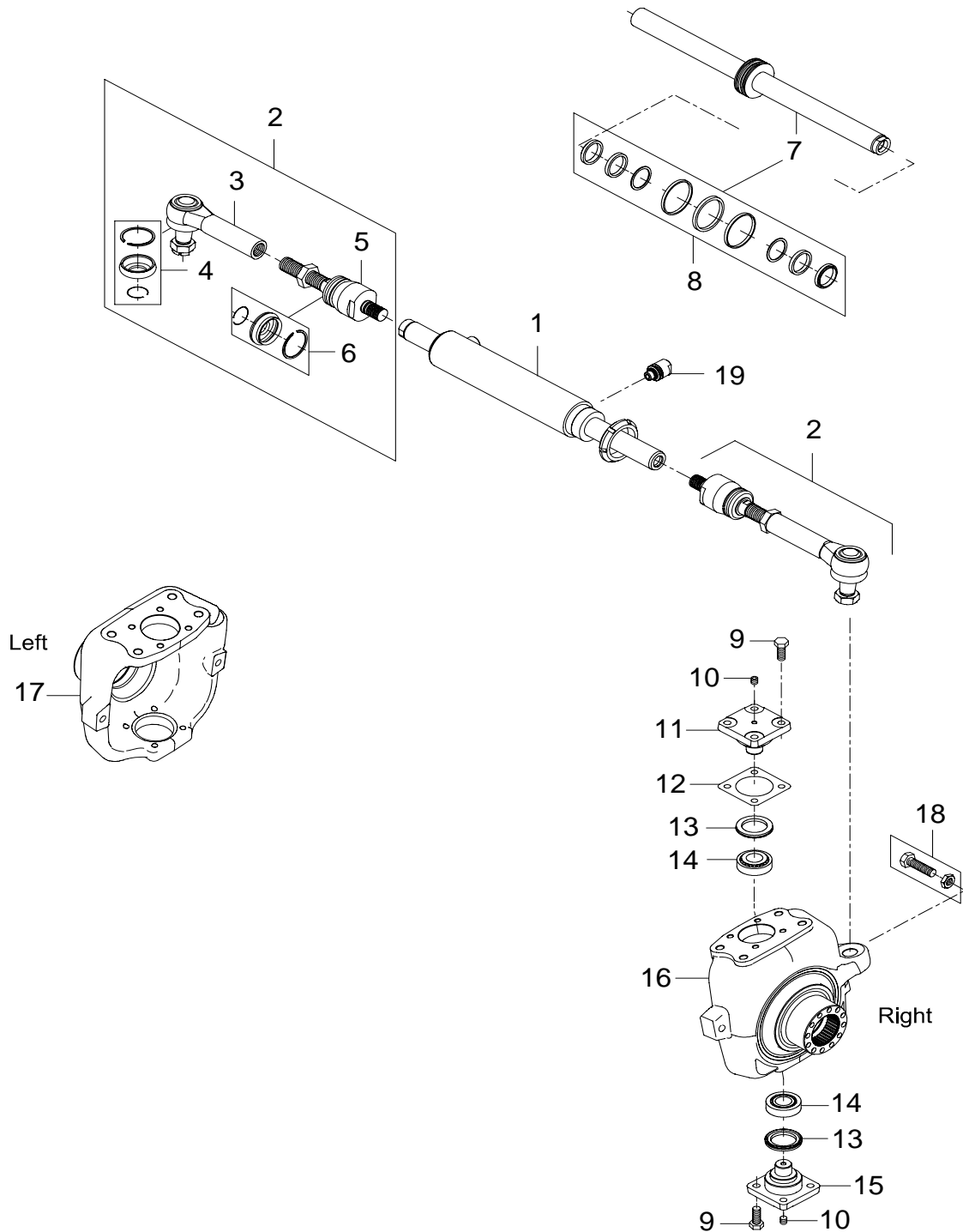
25.5.2007

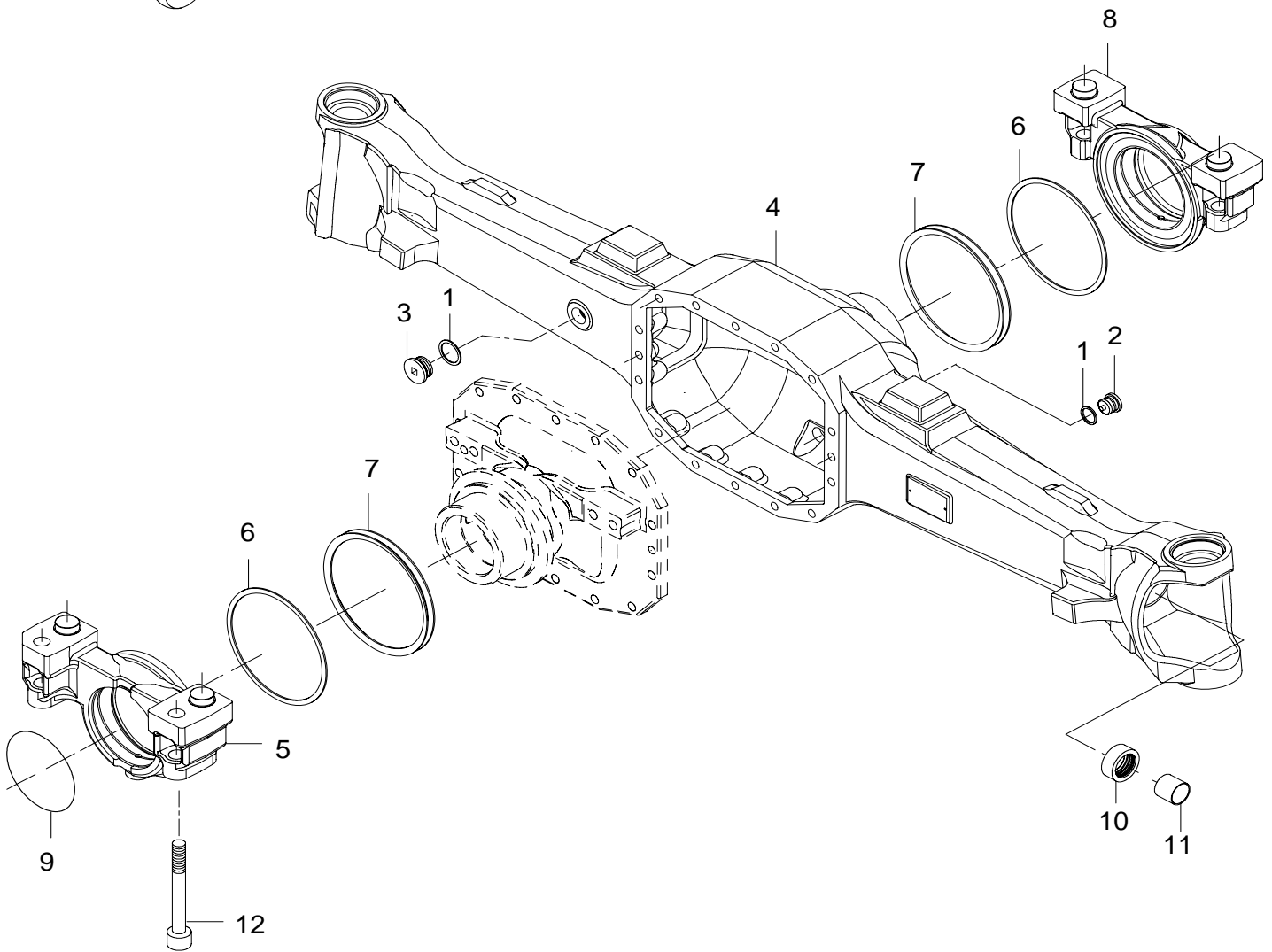
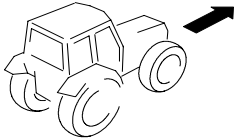
N91c, N91h, N101c,  
N101h, N111c, N111h,  
N111eh, N121h,  
N121LS, N141h.

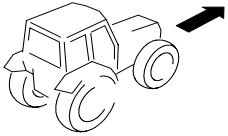




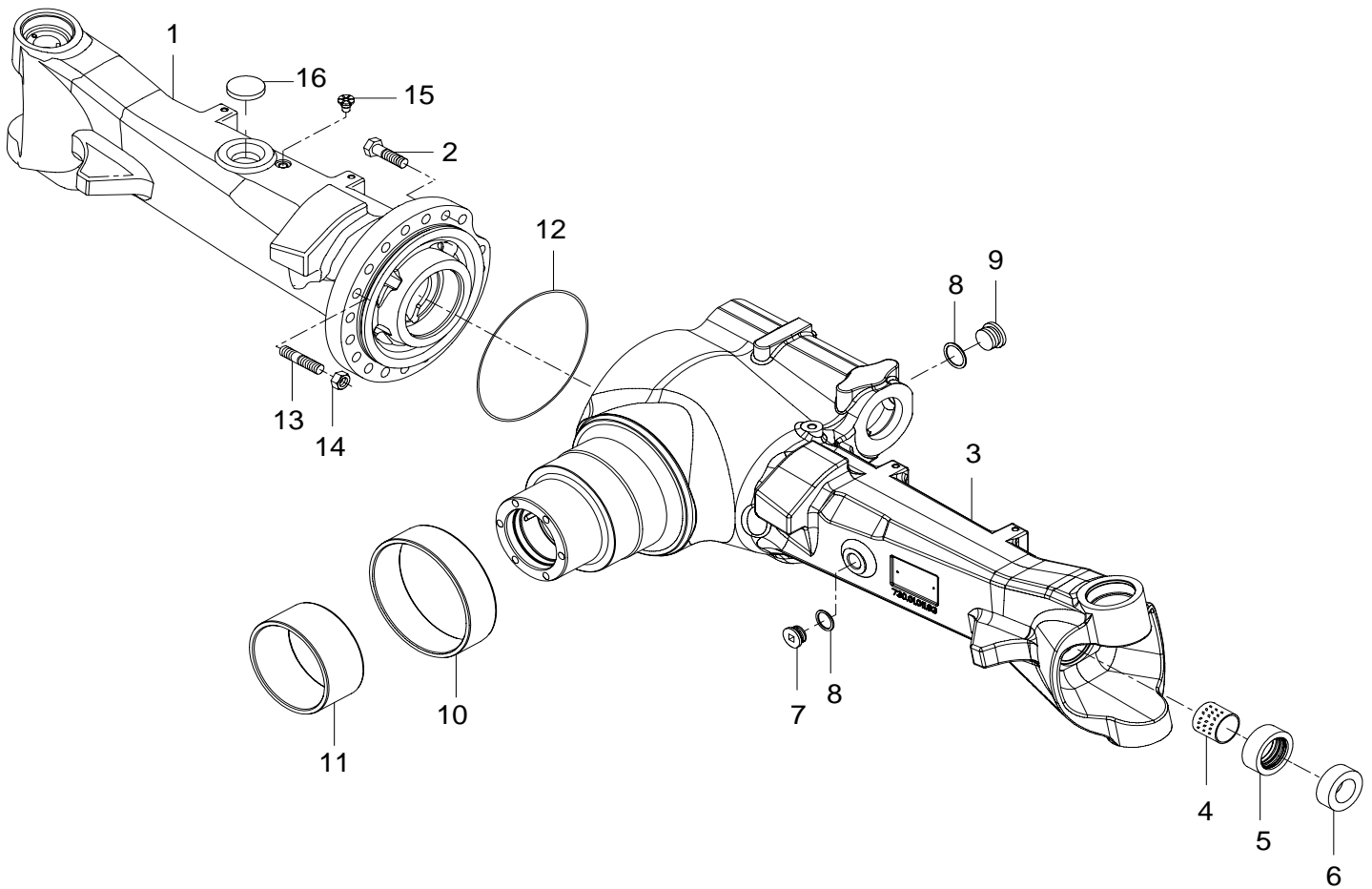
## DANA 735 /112

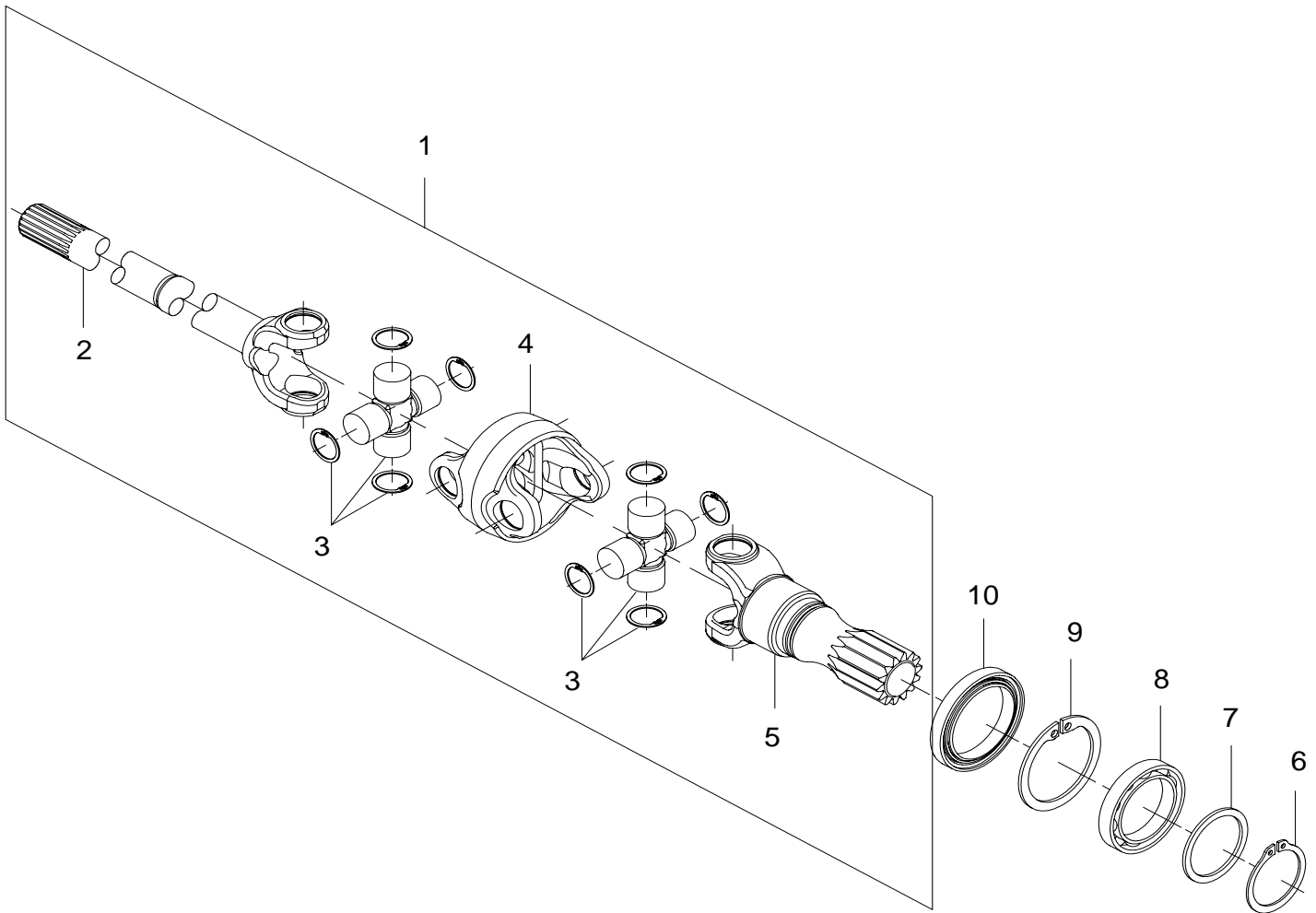
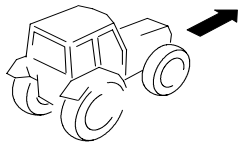


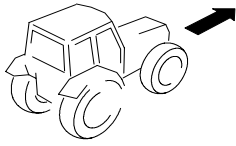




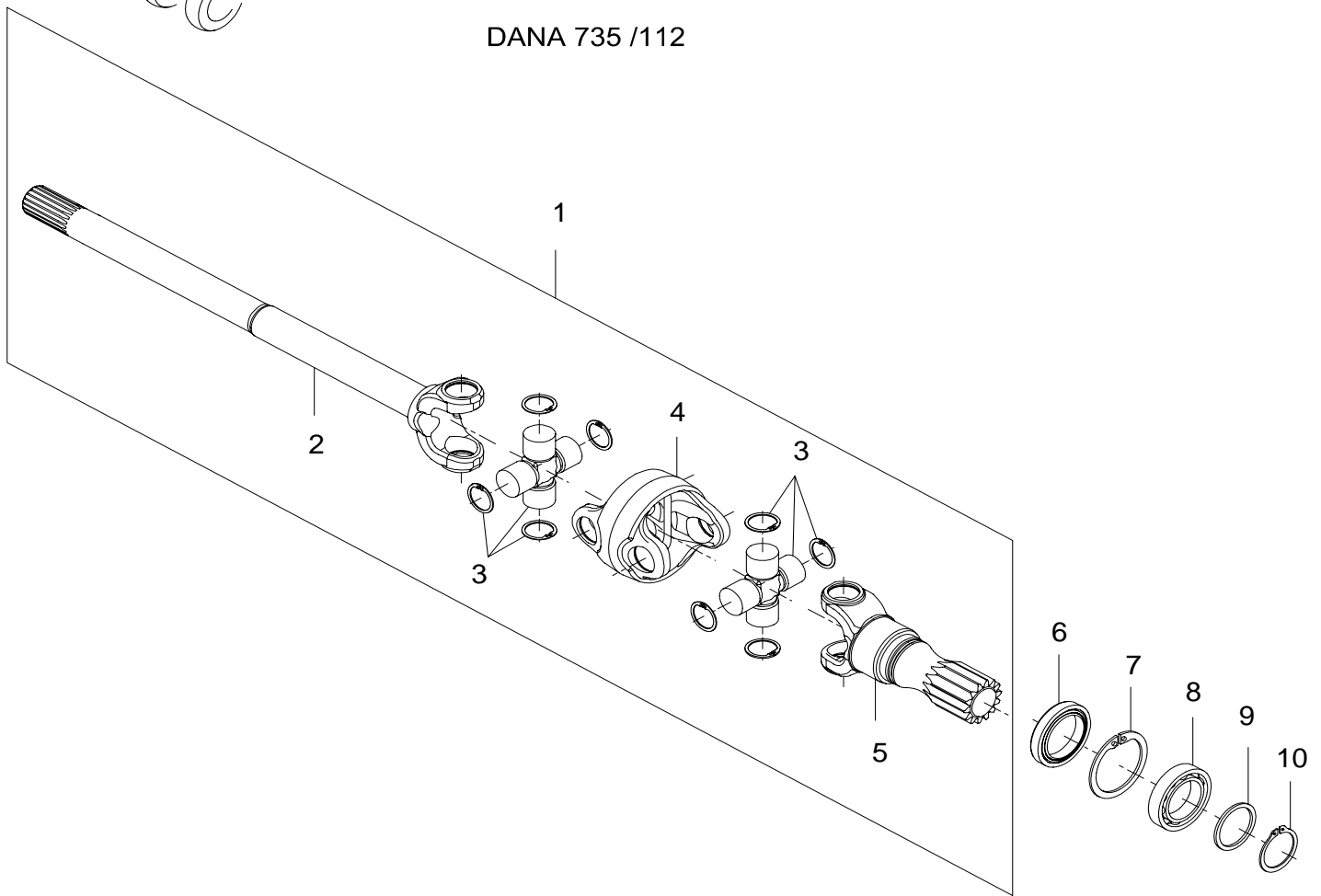
DANA 735 /112



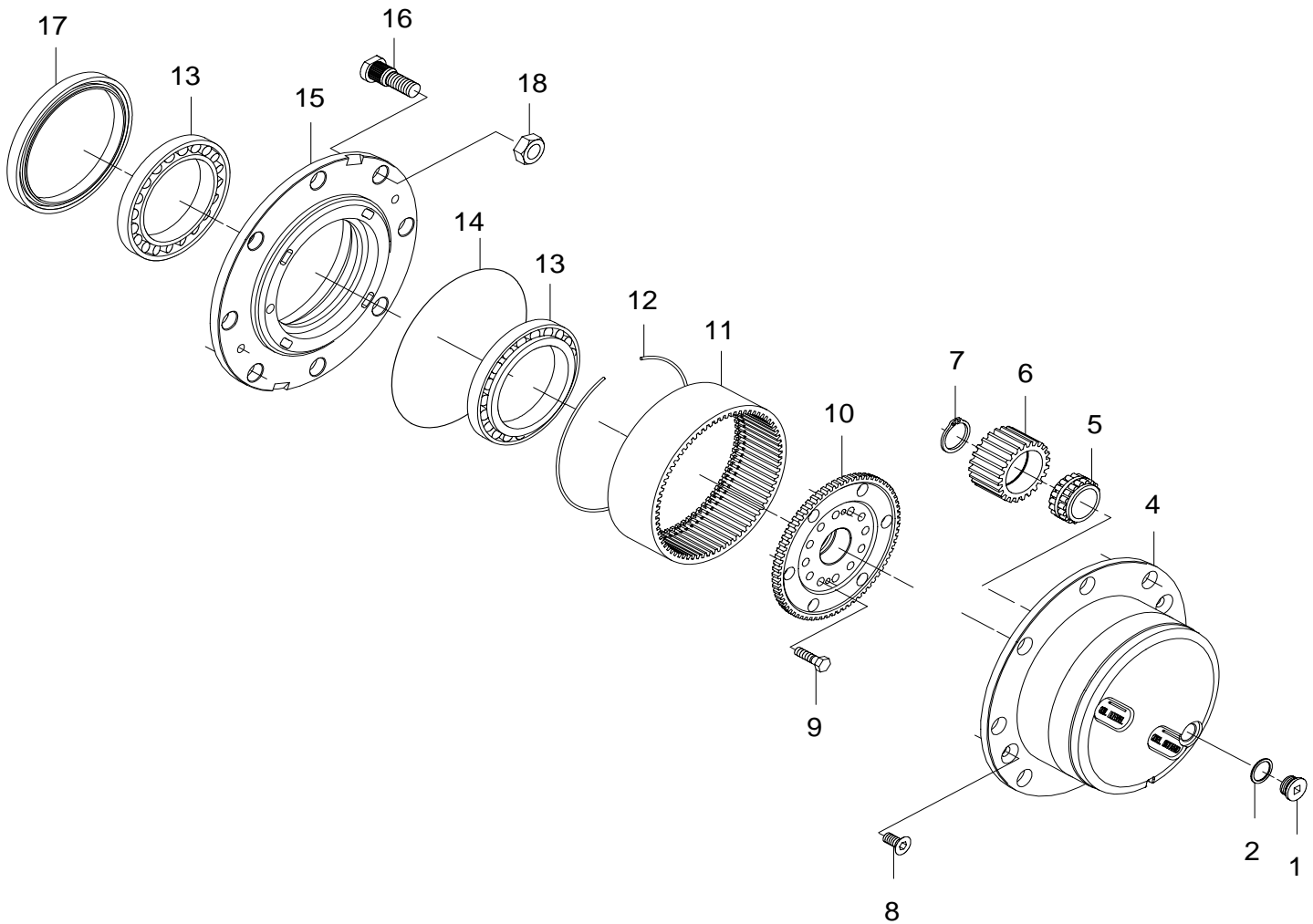
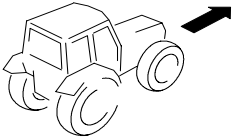


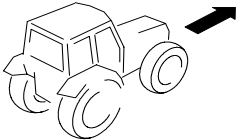


## DANA 735 /112

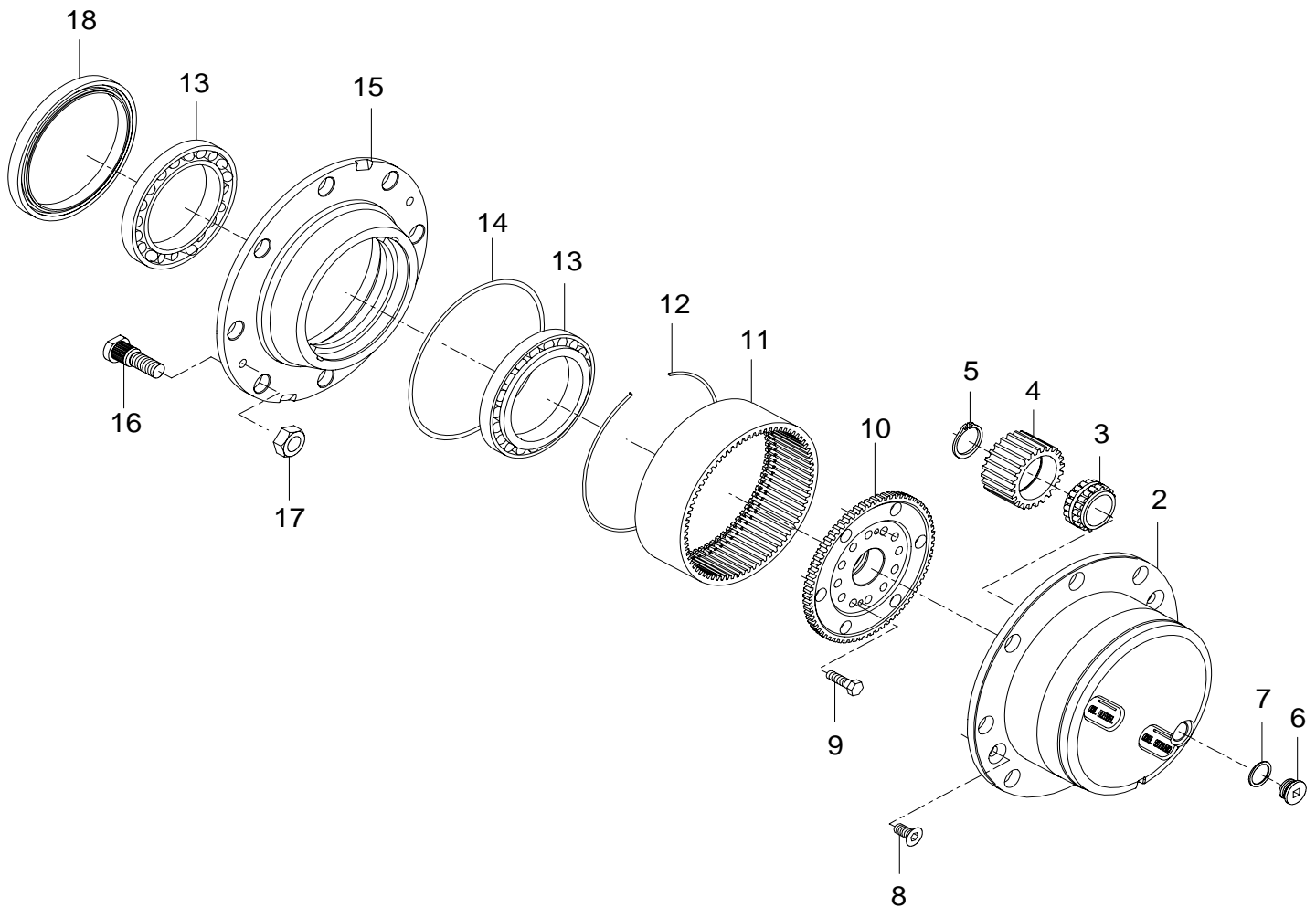


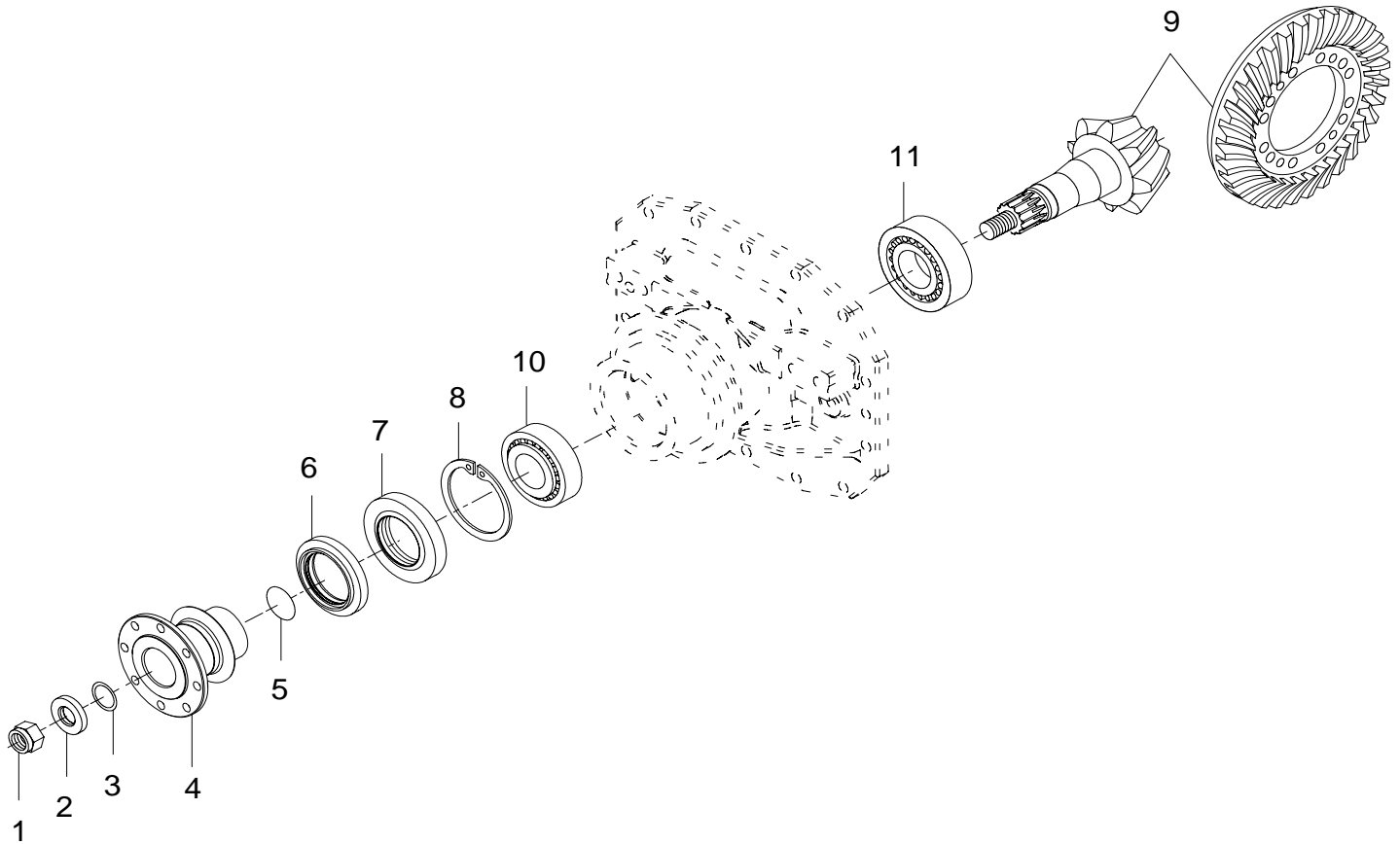
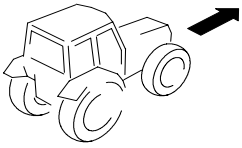


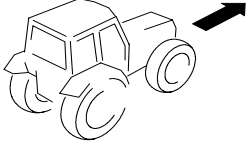




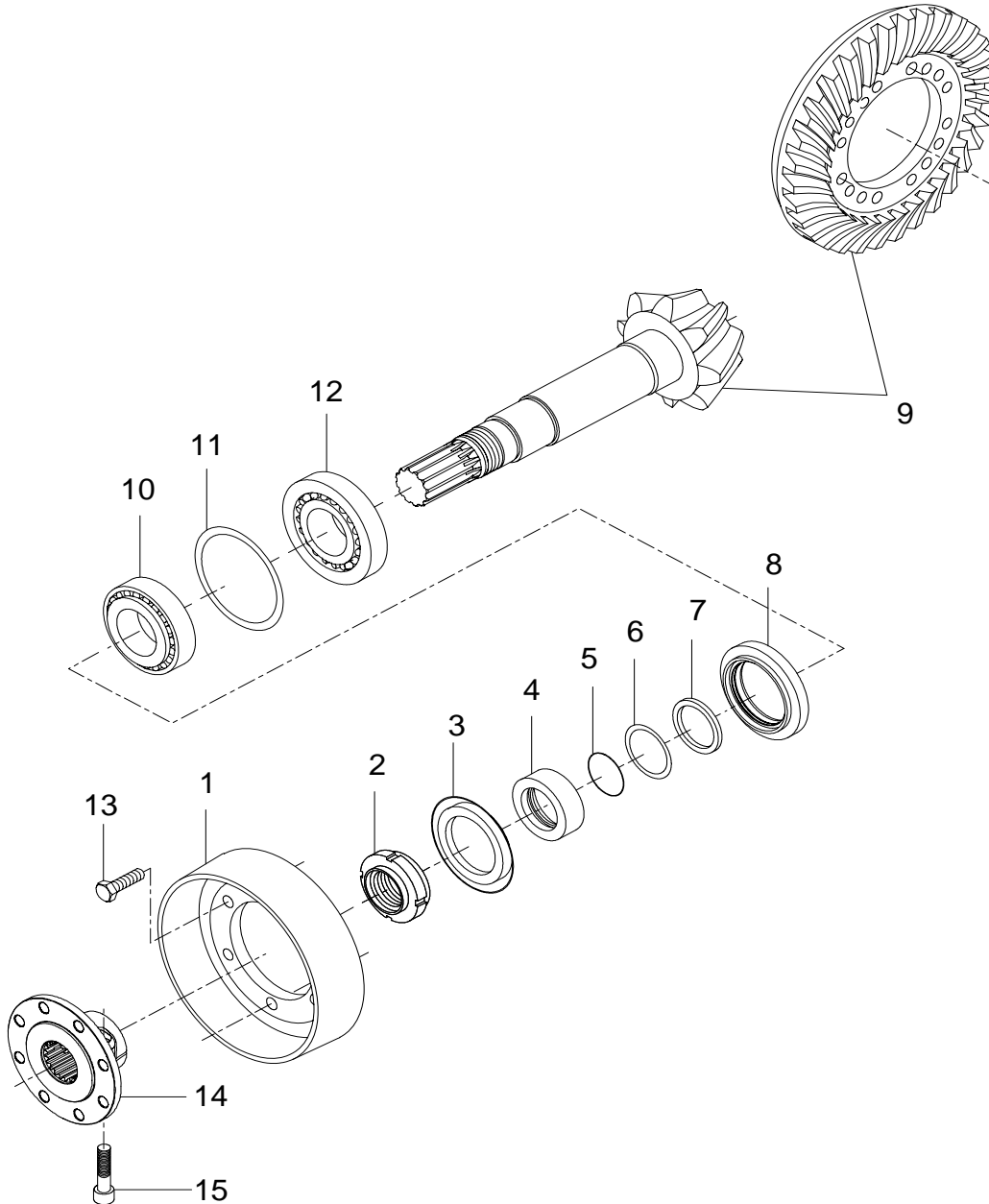
## DANA 735 /112

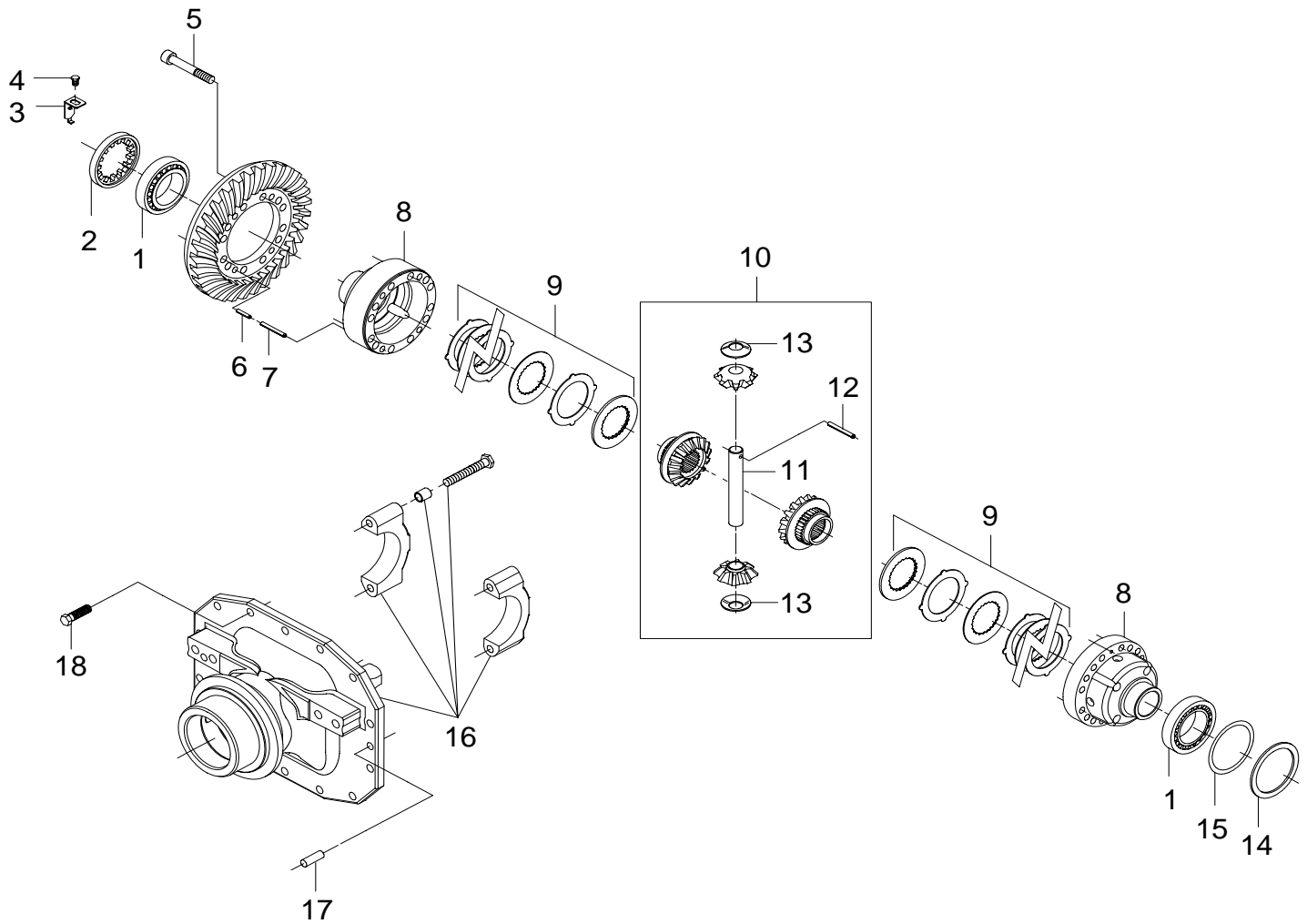
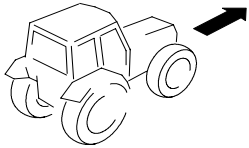


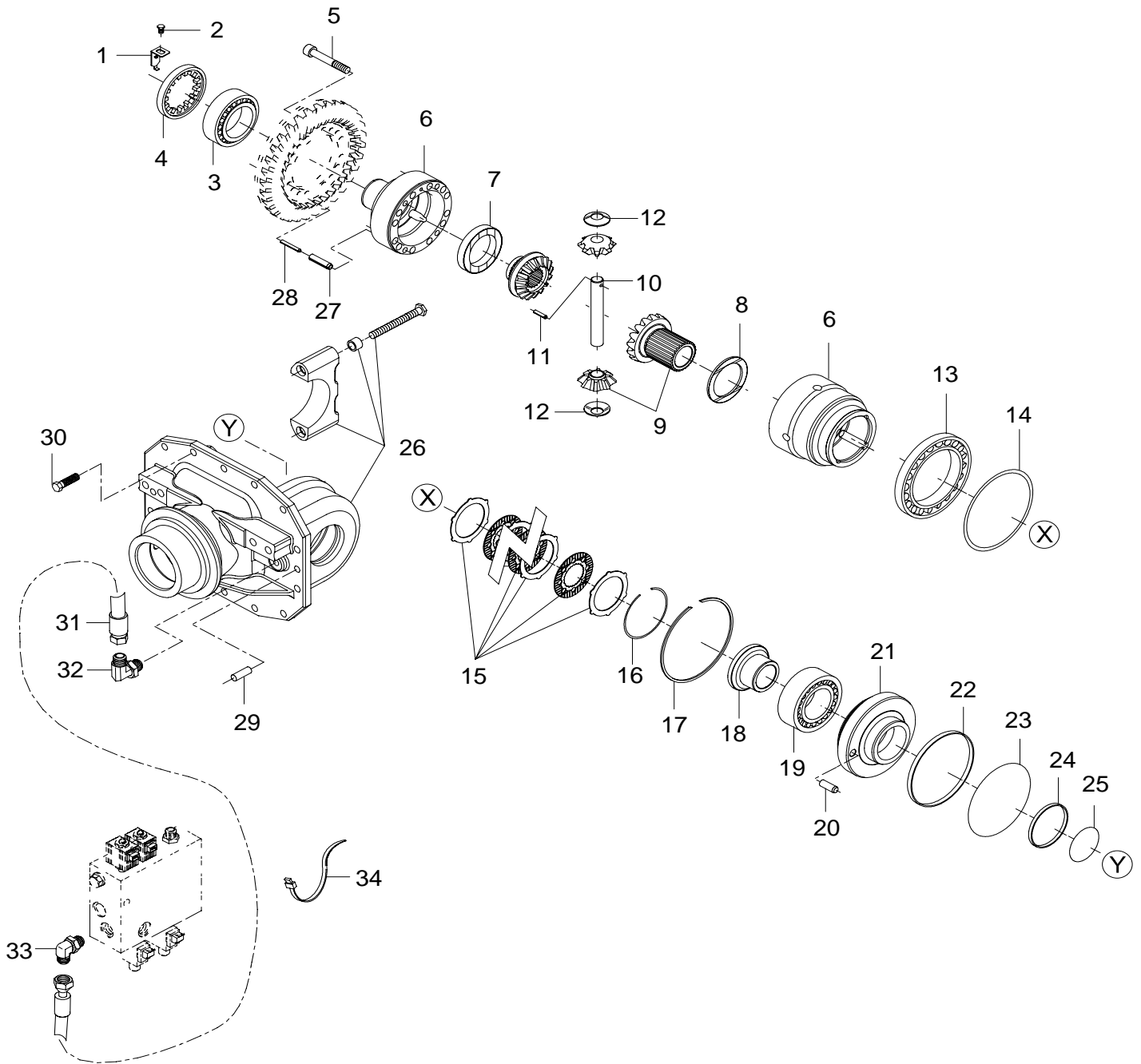
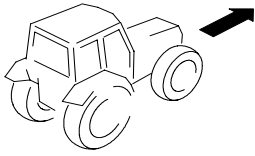


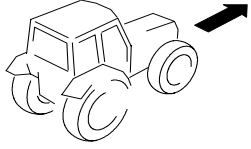


DANA 735 /112

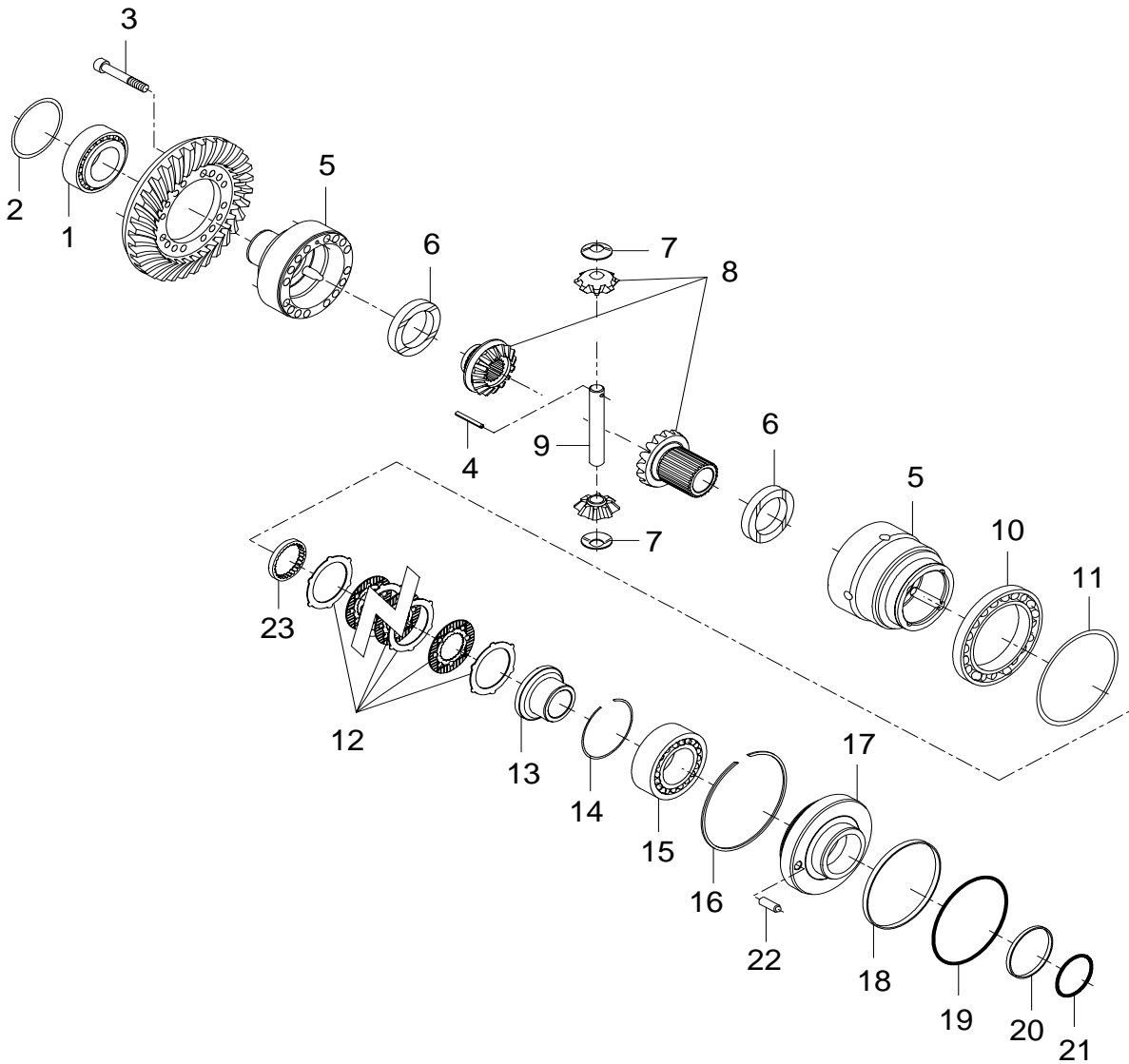


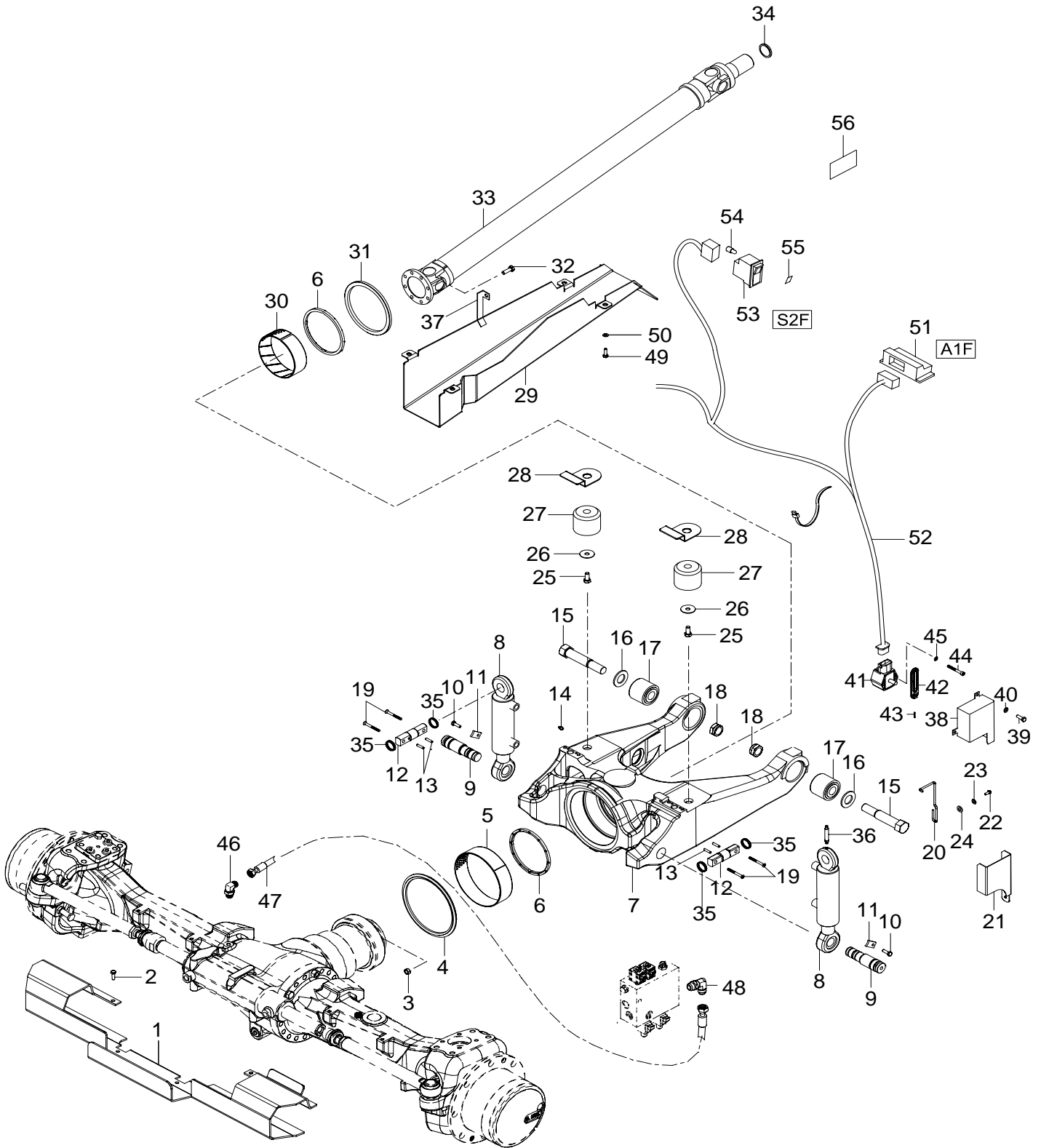




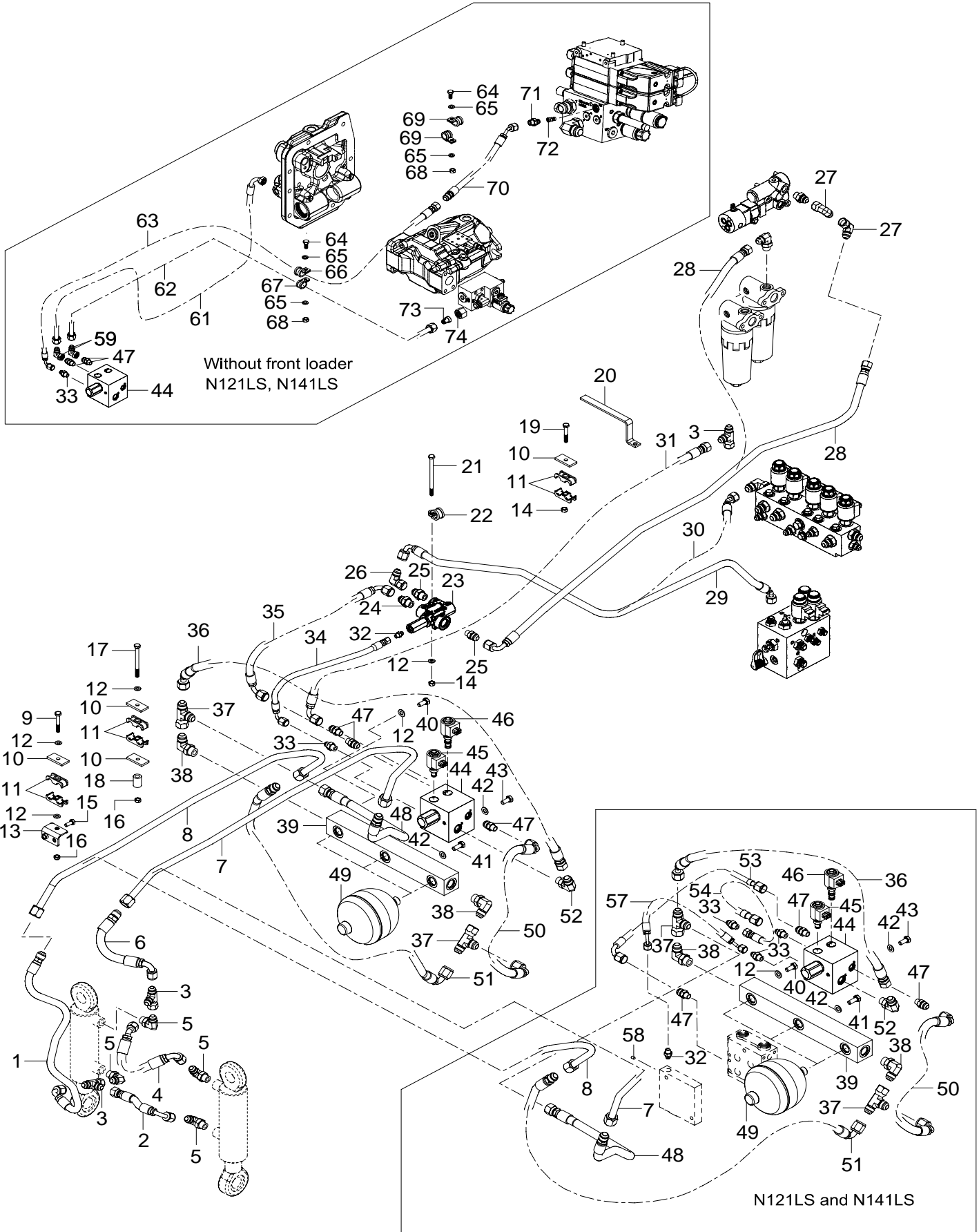


## DANA 735 /112









HYDRAULISYLINTERI,  
ETUAKSELIN JOUSITUS

HYDRAULIKCYLINDER,  
FRAMAXELNS  
FJÄDRING

HYDRAULIC CYLINDER,  
SUSPENSION OF FRONT  
AXLE

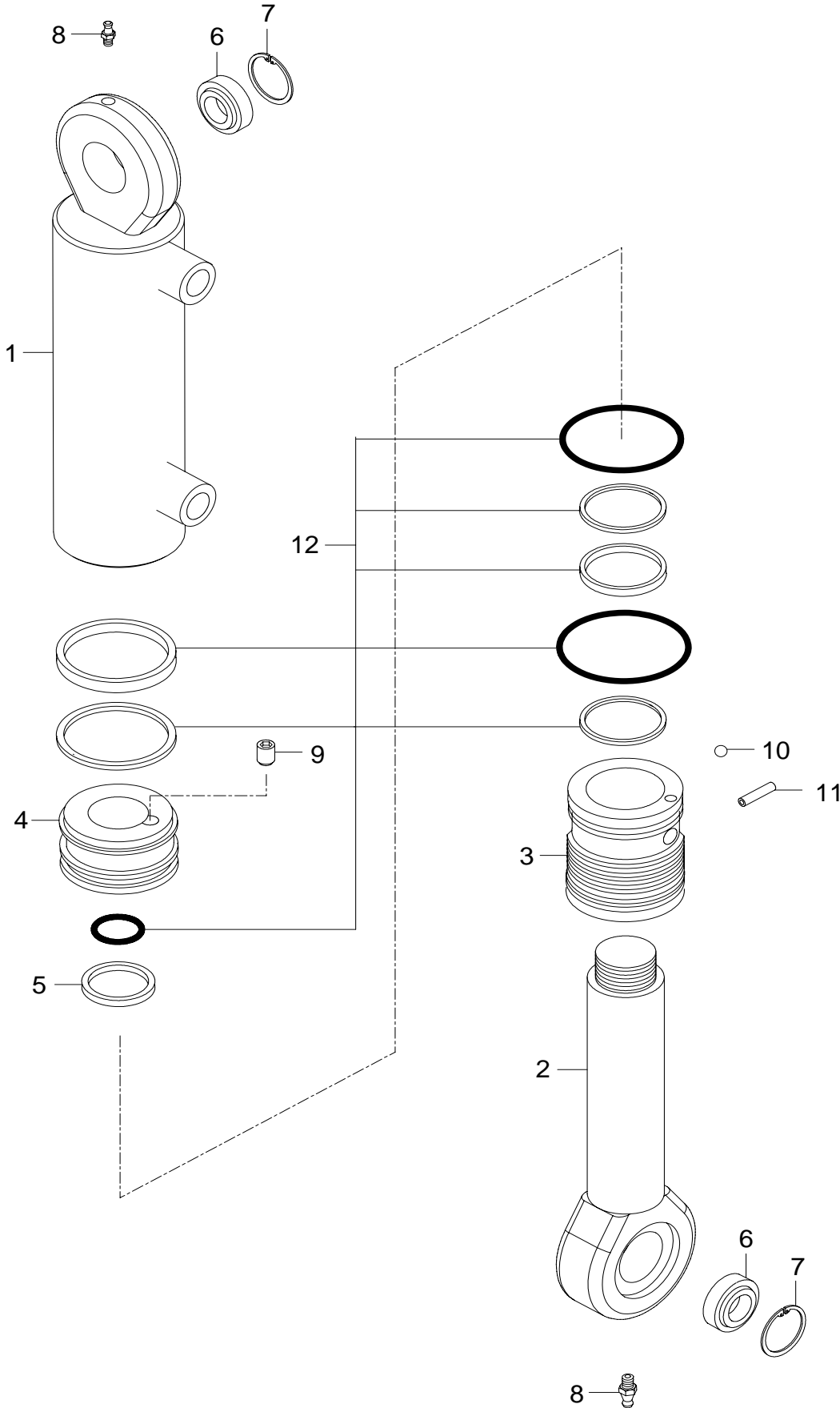
HYDRAULIKZYLINDER,  
LUFTFEDERUNG DER  
VORDERACHSE

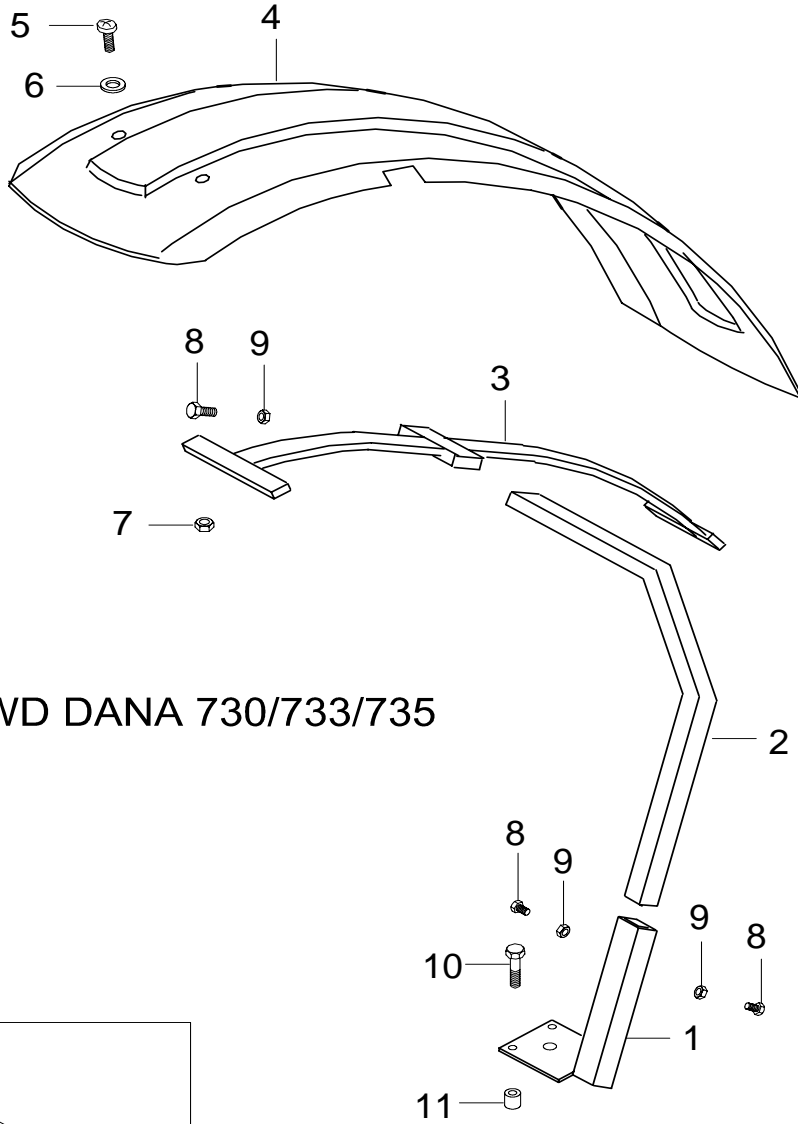
CYLINDRE  
HYDRAULIQUE,  
SUSPENSION Á AIR DE  
L'ESSIEU AVANT

64-29

25.5.2007

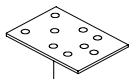
N91c, N91h, N101c,  
N101h, N111c, N111h,  
N111eh, N121h,  
N121LS, N141h.



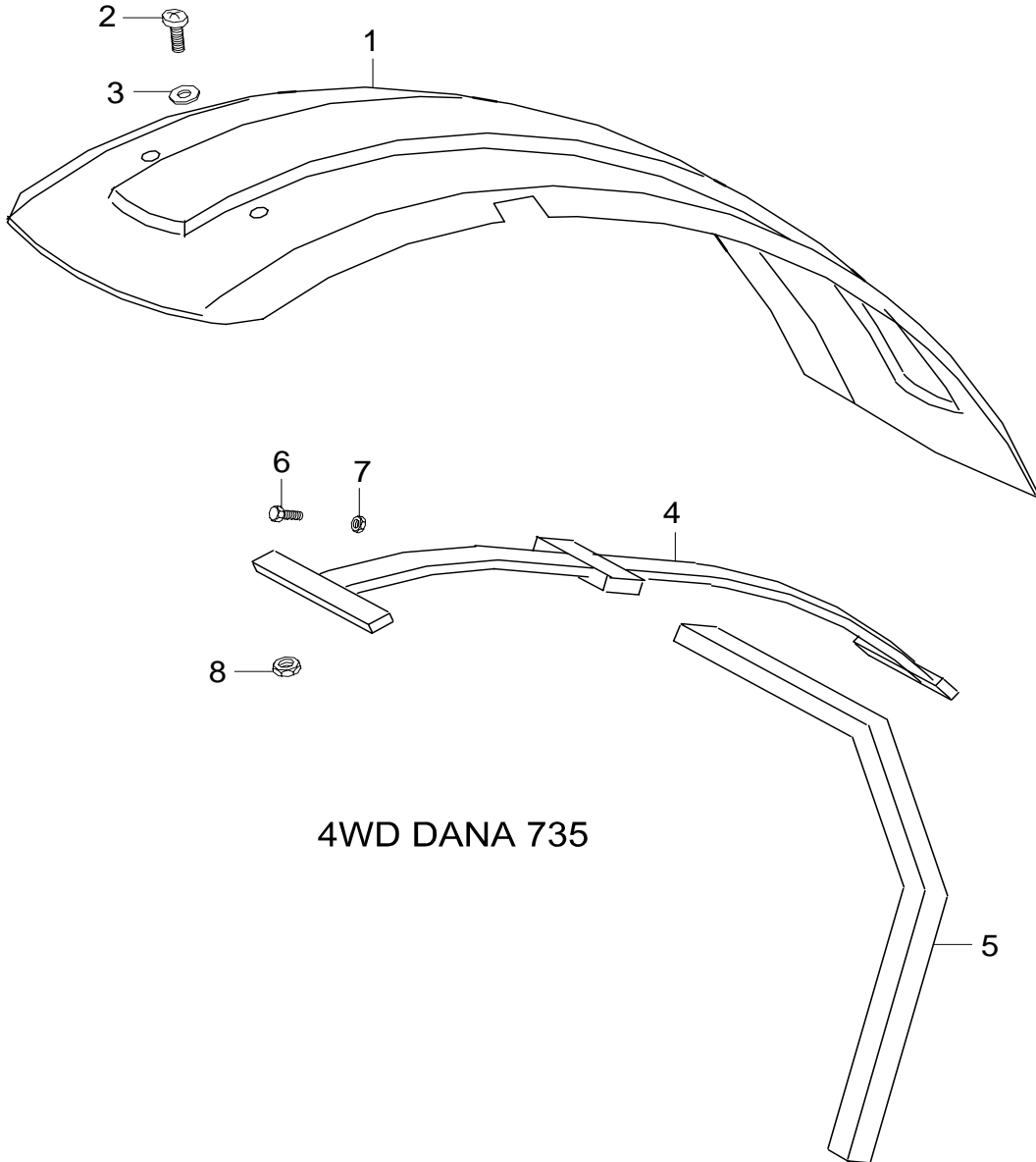


4WD DANA 730/733/735

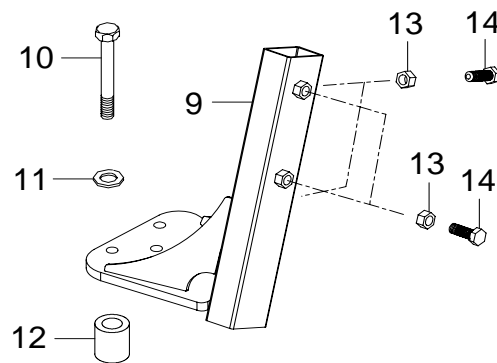
EXTRA

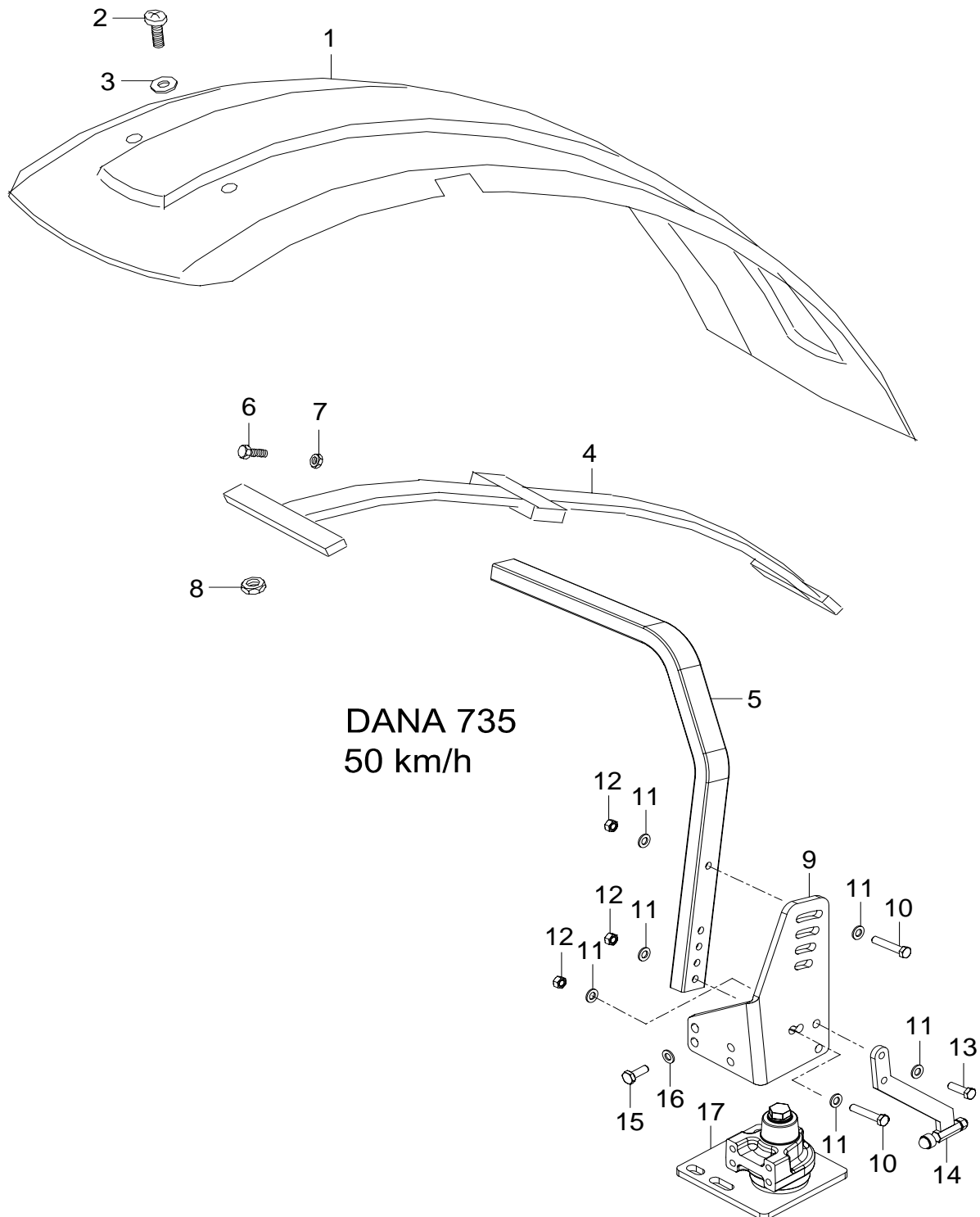


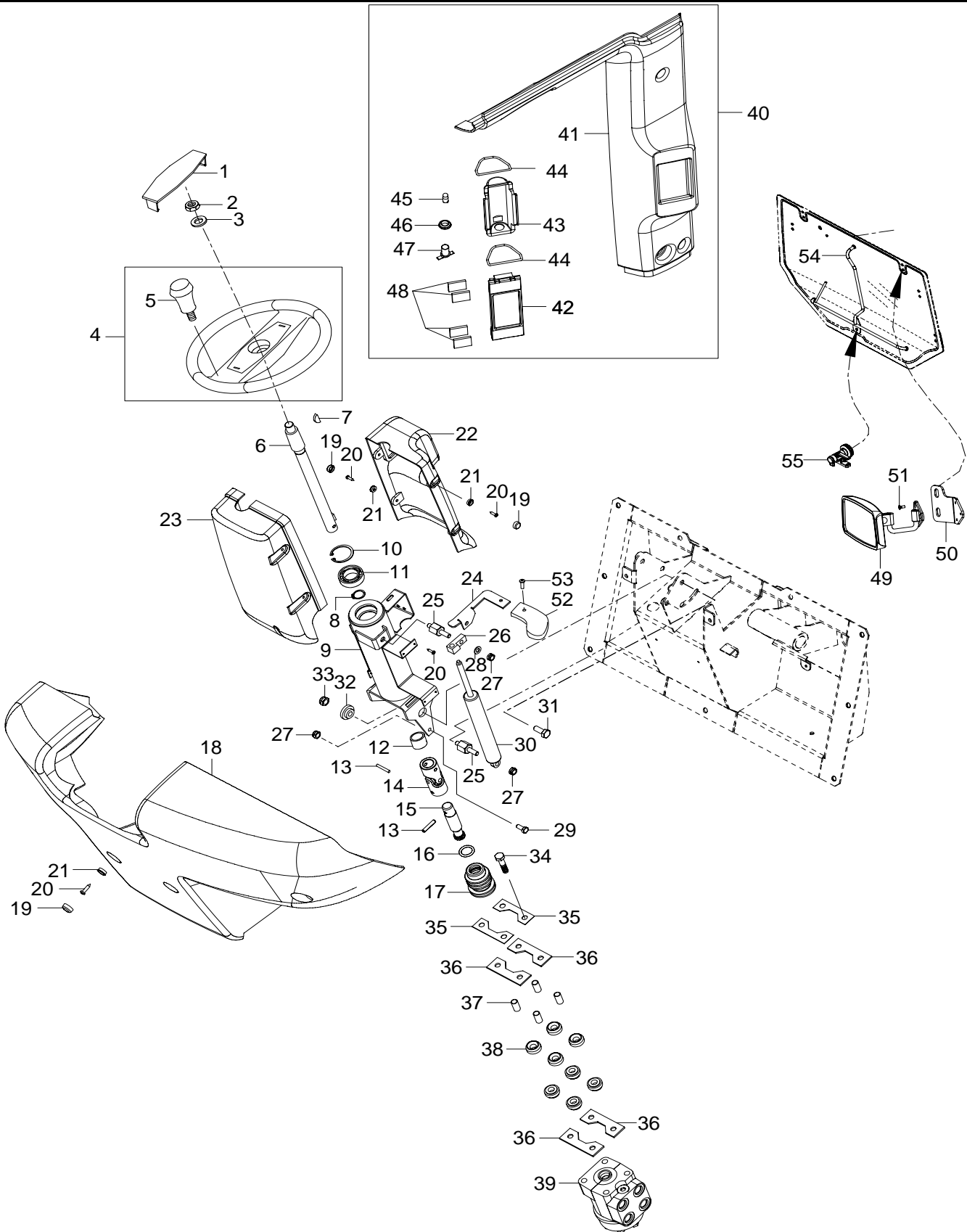
12

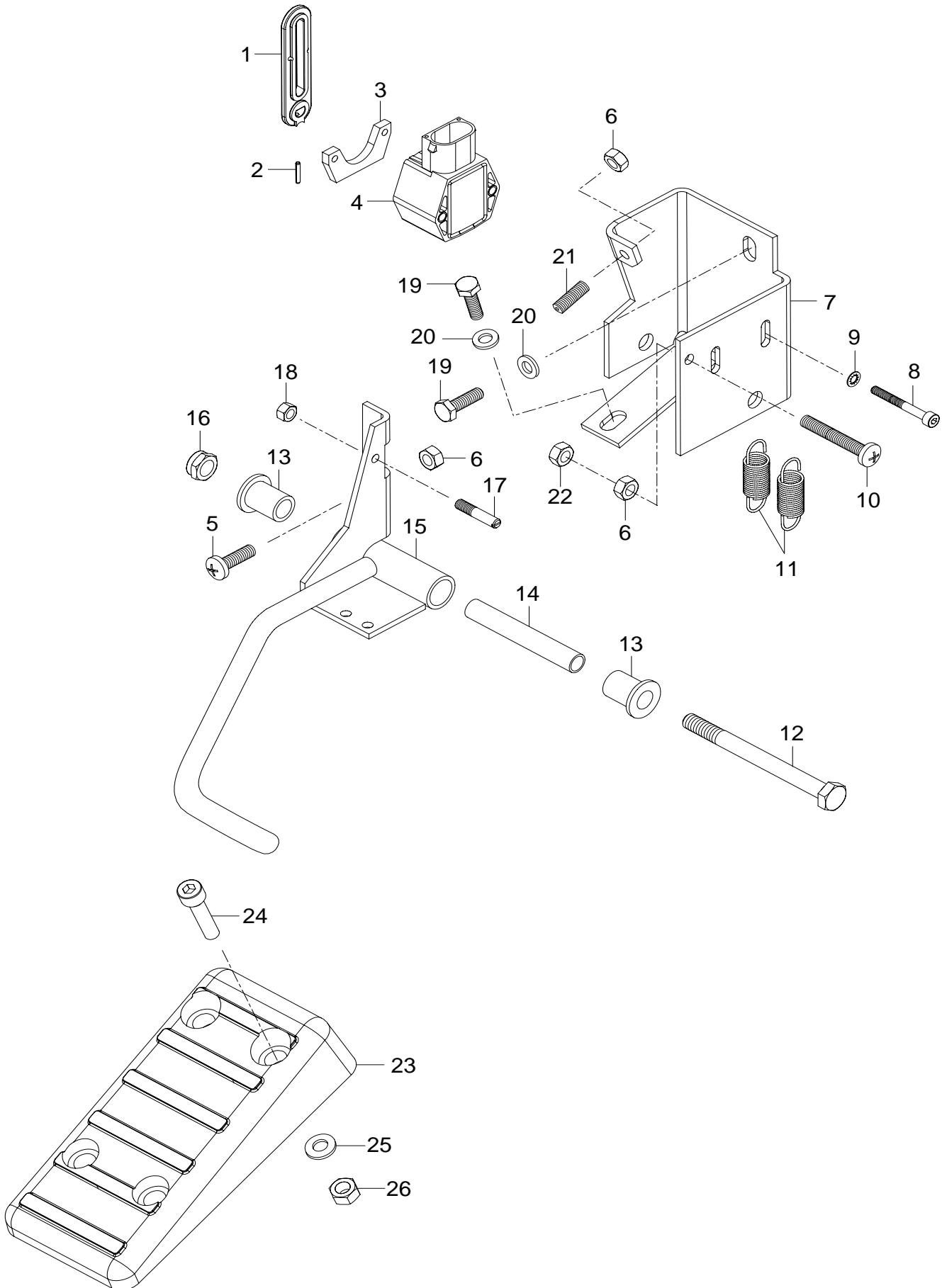


4WD DANA 735









TAKAKOTELO, KYTKIN-  
JA JARRUPOLJIN  
(LISÄVARUSTE)

BAKHUS, KOPPLINGS-  
OCH BROMSPEDAL  
(EXTRA UTRUSTN.)

REAR HOUSING,  
CLUTCH- AND  
BRAKESPEDAL (OPT.  
EQUIP.)

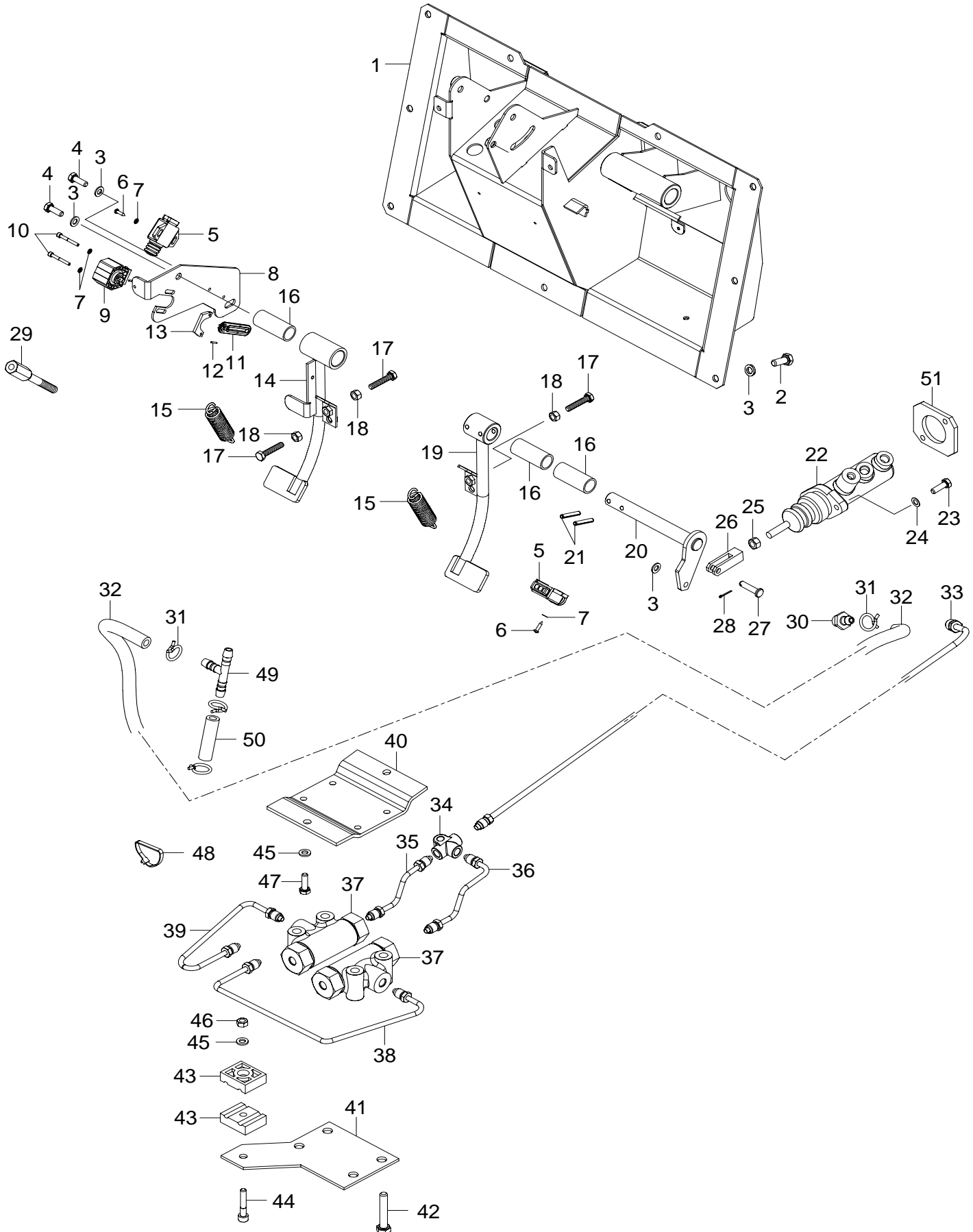
RÜCKGEHÄUSE, KUPPL.-  
UND BREMSPEDAL  
(EXTRAZUBEH.)

BATI ARRIERE,  
PEDALES DE FREIN ET  
D'EMBRAYAGE (EQ.  
OPT.)

69-13

25.5.2007

N121h, N121LS, N141h,  
N141LS





PUTKISTO,  
TAKAOHJAUS-  
HYDRAULIIKKA  
(LISÄVARUSTE)

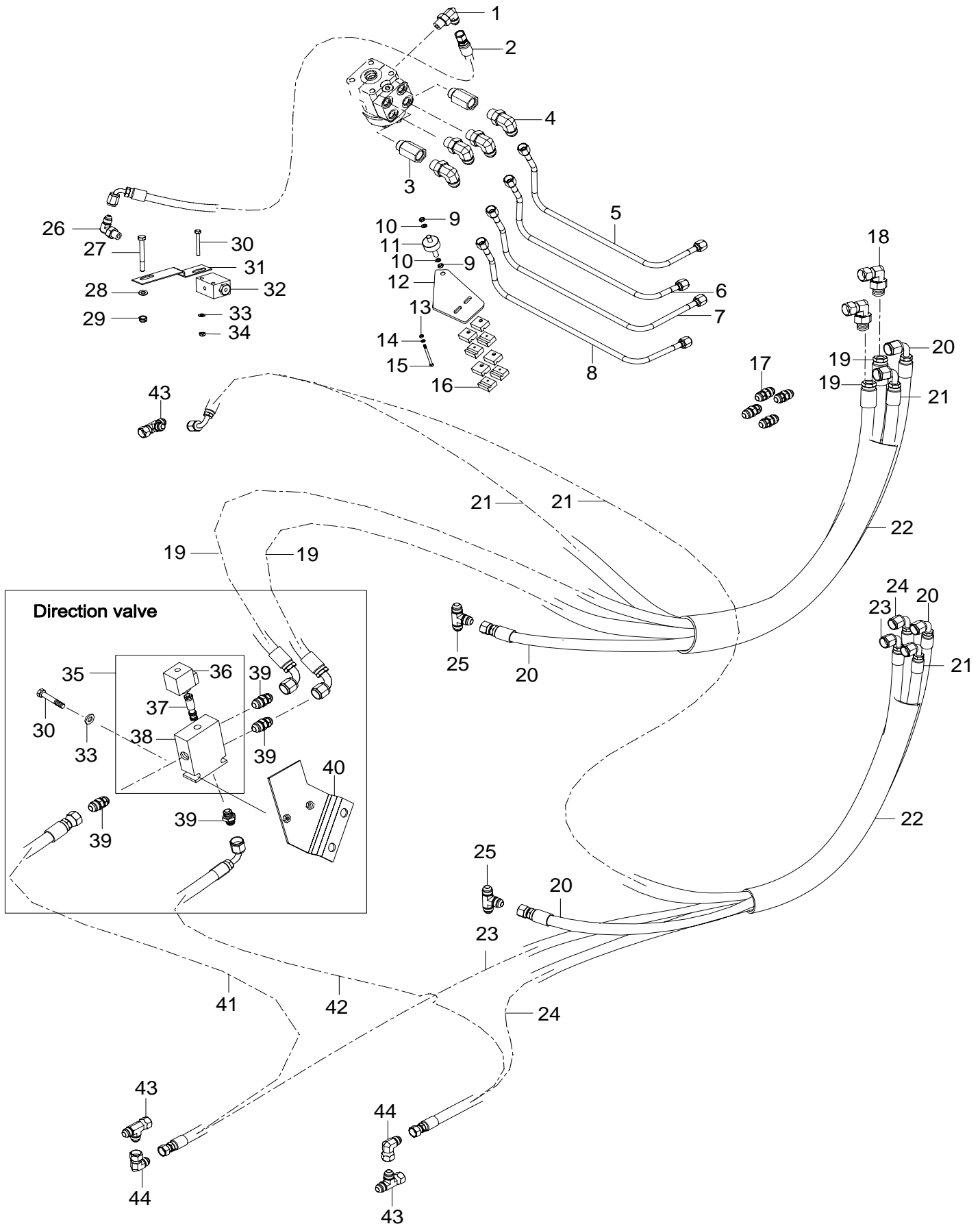
RÖRSYSTEM,  
BAKSTYRINGS-  
HYDRAULIK (EXTRA  
UTRUSTNING)

PIPING, BACKSTEERING  
HYDRAULICS  
(OPTIONAL EQUIPMENT)

ROHRLEITUNGEN,  
RÜCKWÄRTS-  
STEUERHYDR.  
(EXTR.ZUBEHÖR)

CANALISATIONS,  
HYDRAULIQUE DE  
DIRECTION ARRIERE  
(E.O.)

69-15  
25.5.2007  
N121h, N121LS, N141h,  
N141LS



PUTKISTO,  
TAKAOHJAUS-  
HYDRAULIIKKA  
(LISÄVARUSTE)

RÖRSYSTEM,  
BAKSTYRINGS-  
HYDRAULIK (EXTRA  
UTRUSTNING)

PIPING, BACKSTEERING  
HYDRAULICS  
(OPTIONAL EQUIPMENT)

ROHRLEITUNGEN,  
RÜCKWÄRTS-  
STEUERHYDR.  
(EXTR.ZUBEHÖR)

CANALISATIONS,  
HYDRAULIQUE DE  
DIRECTION ARRIERE  
(E.O.)

69-15

25.5.2007

N121h, N121LS, N141h,  
N141LS

