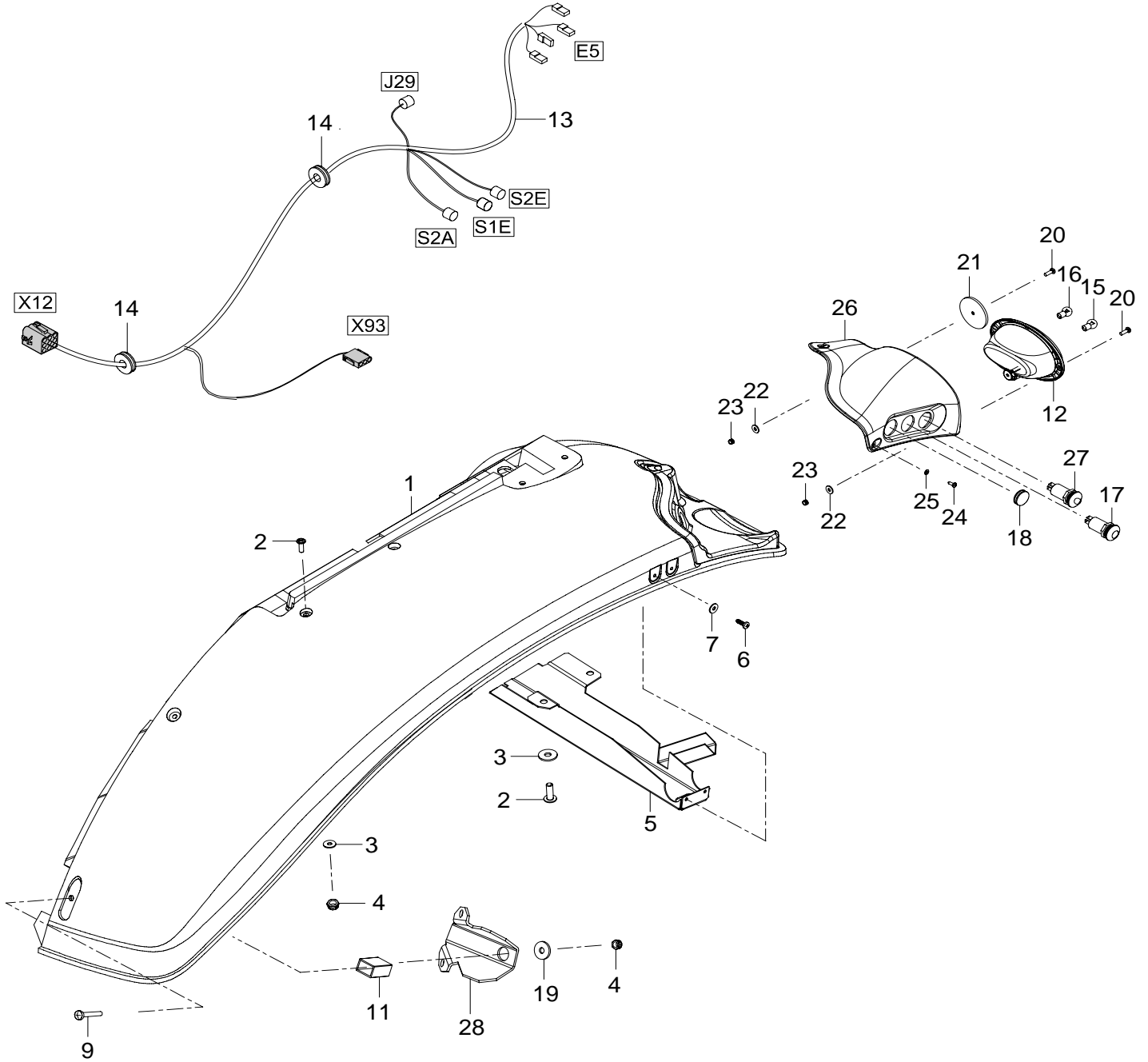
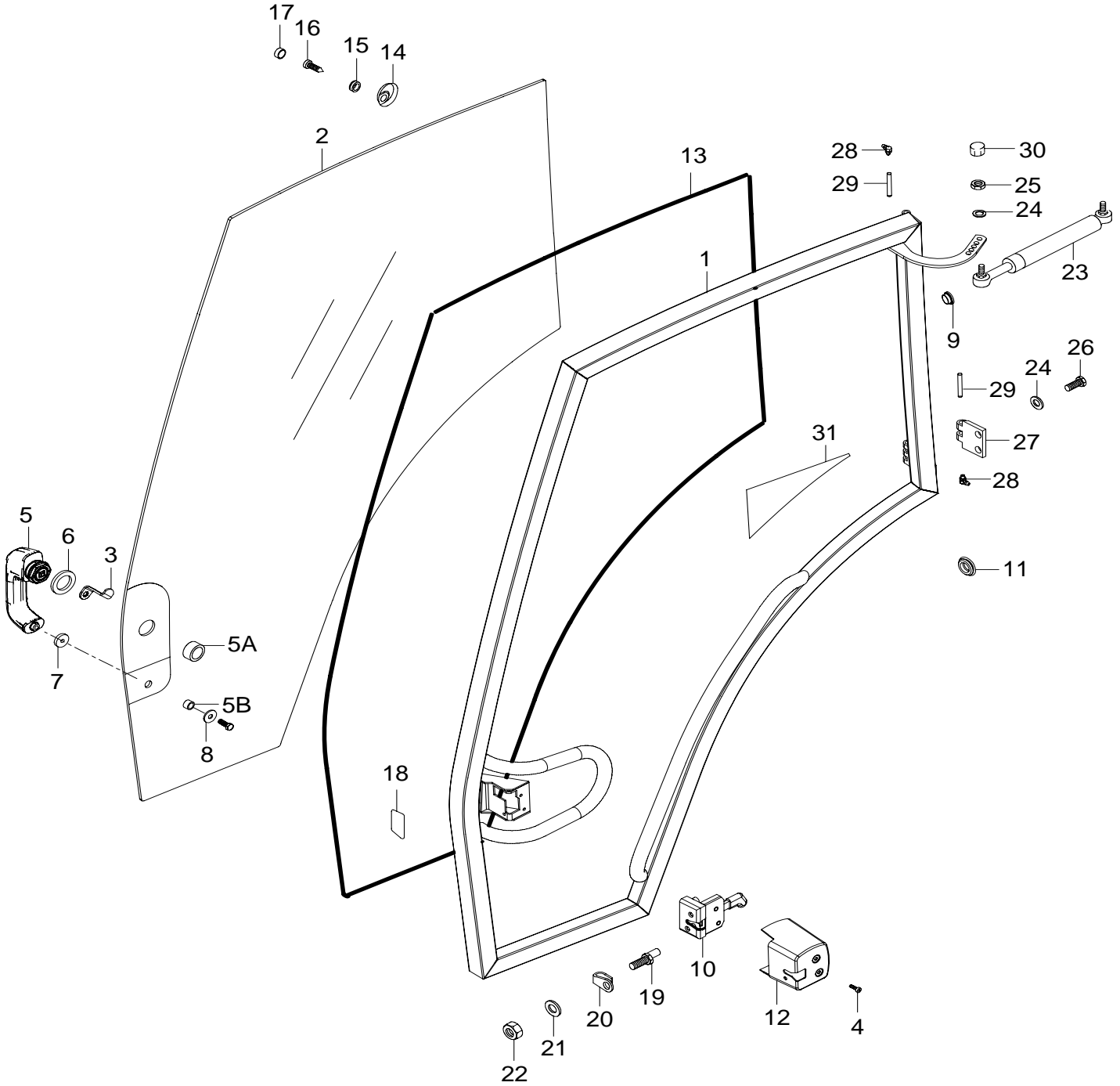


25.5.2007

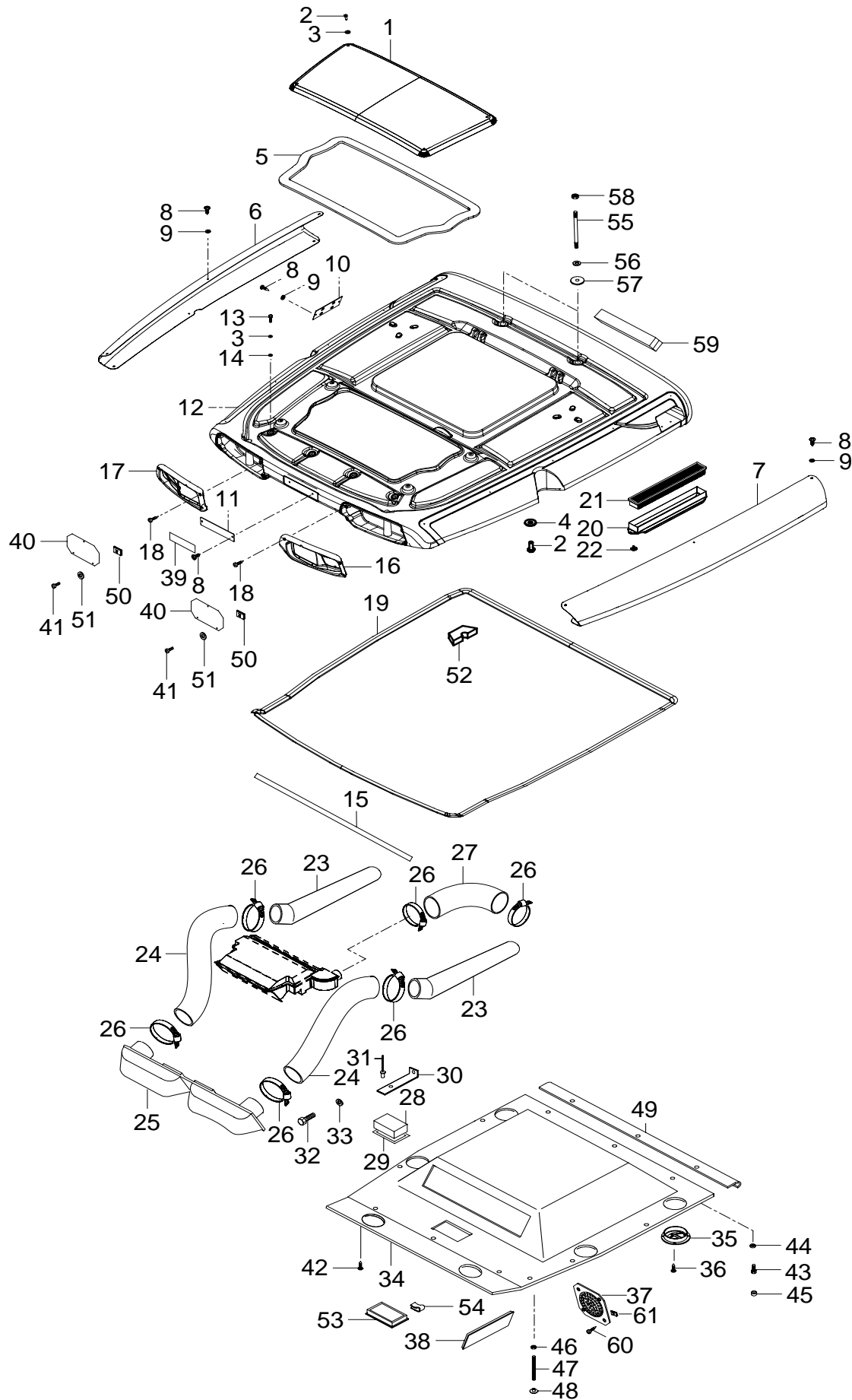
N91c, N91h, N101c,
N101h, N111c, N111h,
N111eh, N121h,
N121LS, N141h, N141LS





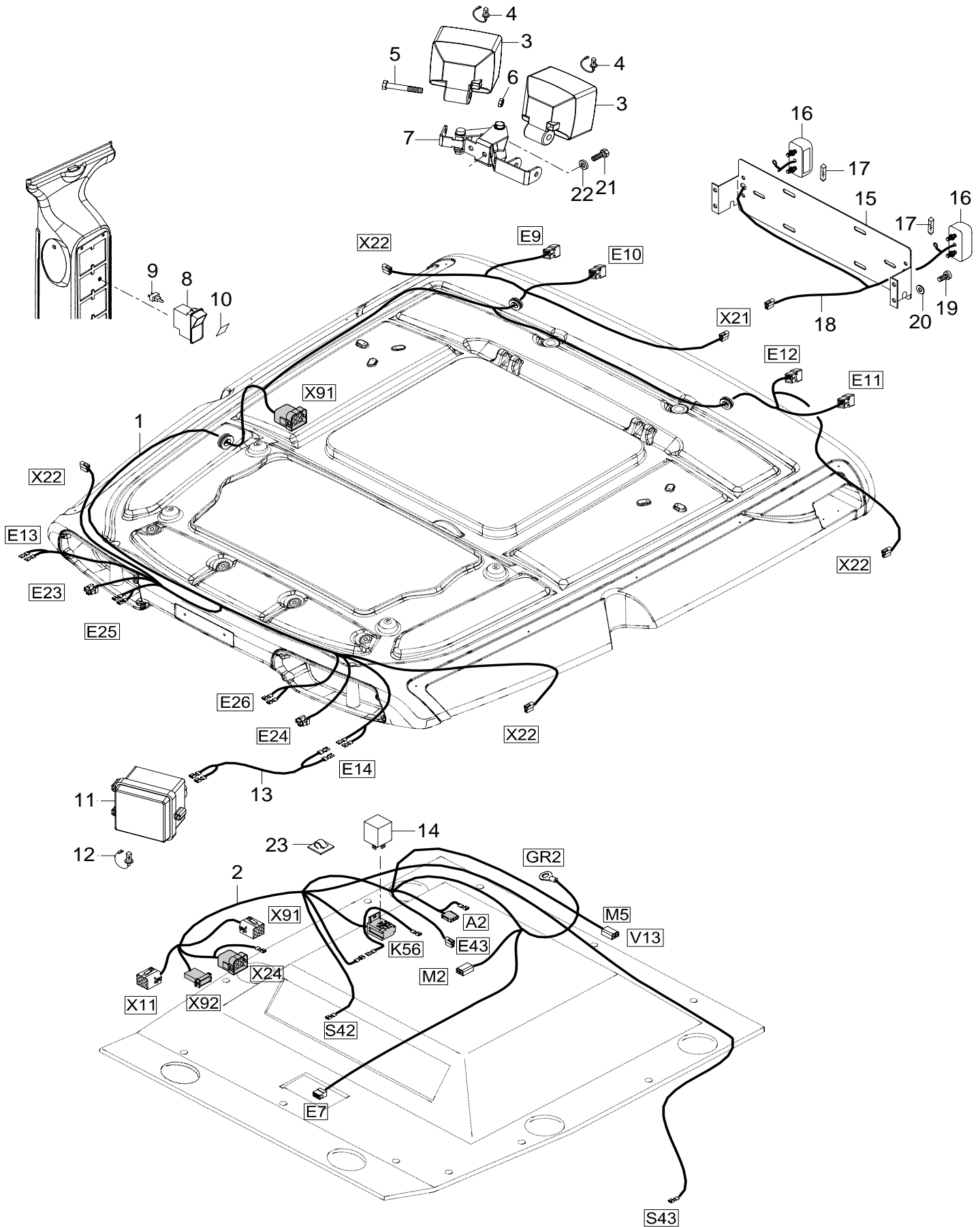
25.5.2007

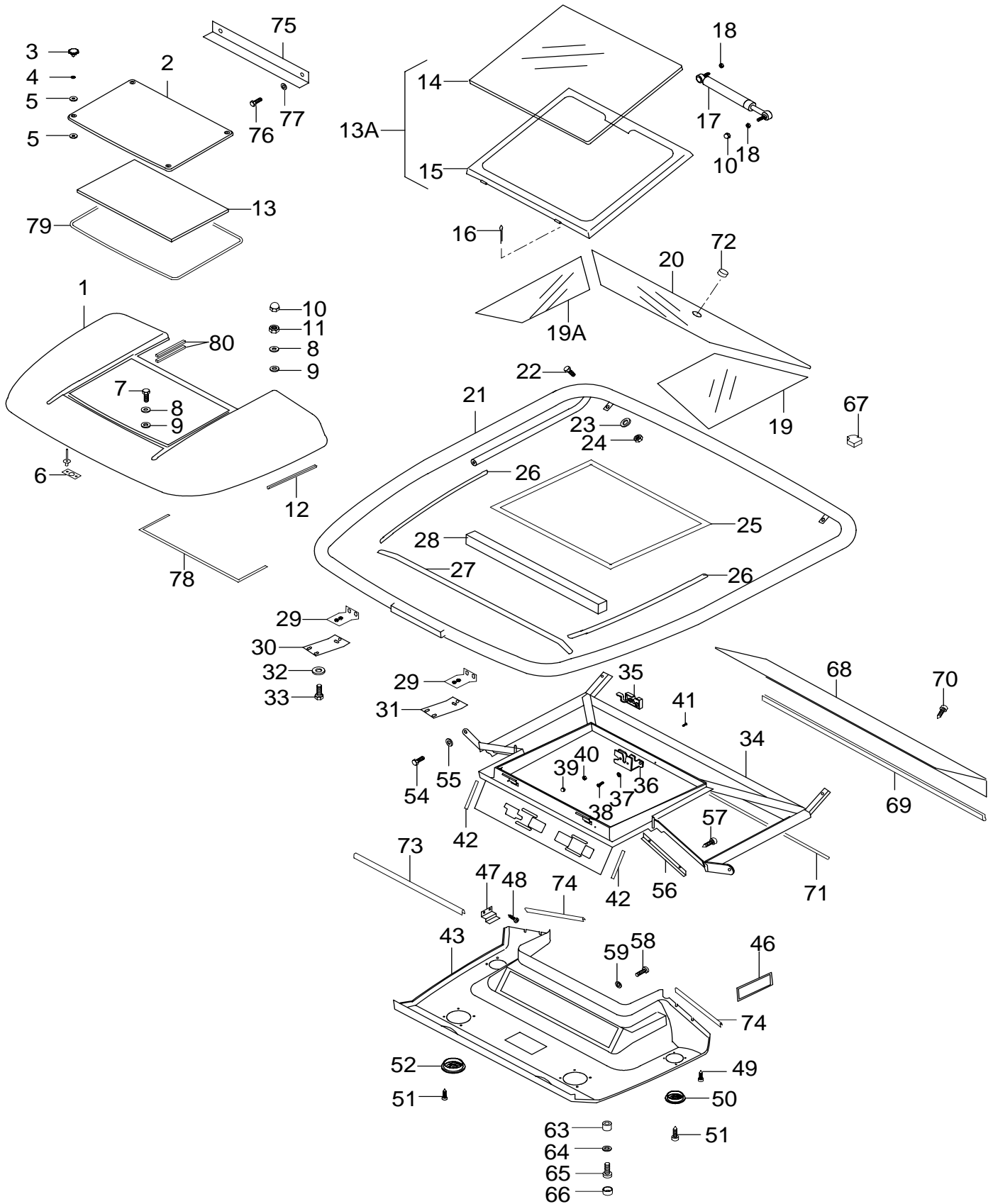
N91c, N91h, N101c,
N101h, N111c, N111h,
N111eh, N121h,
N121LS, N141h, N141LS



25.5.2007

N91c, N91h, N101c,
N101h, N111c, N111h,
N111eh, N121h,
N121LS, N141h, N141LS

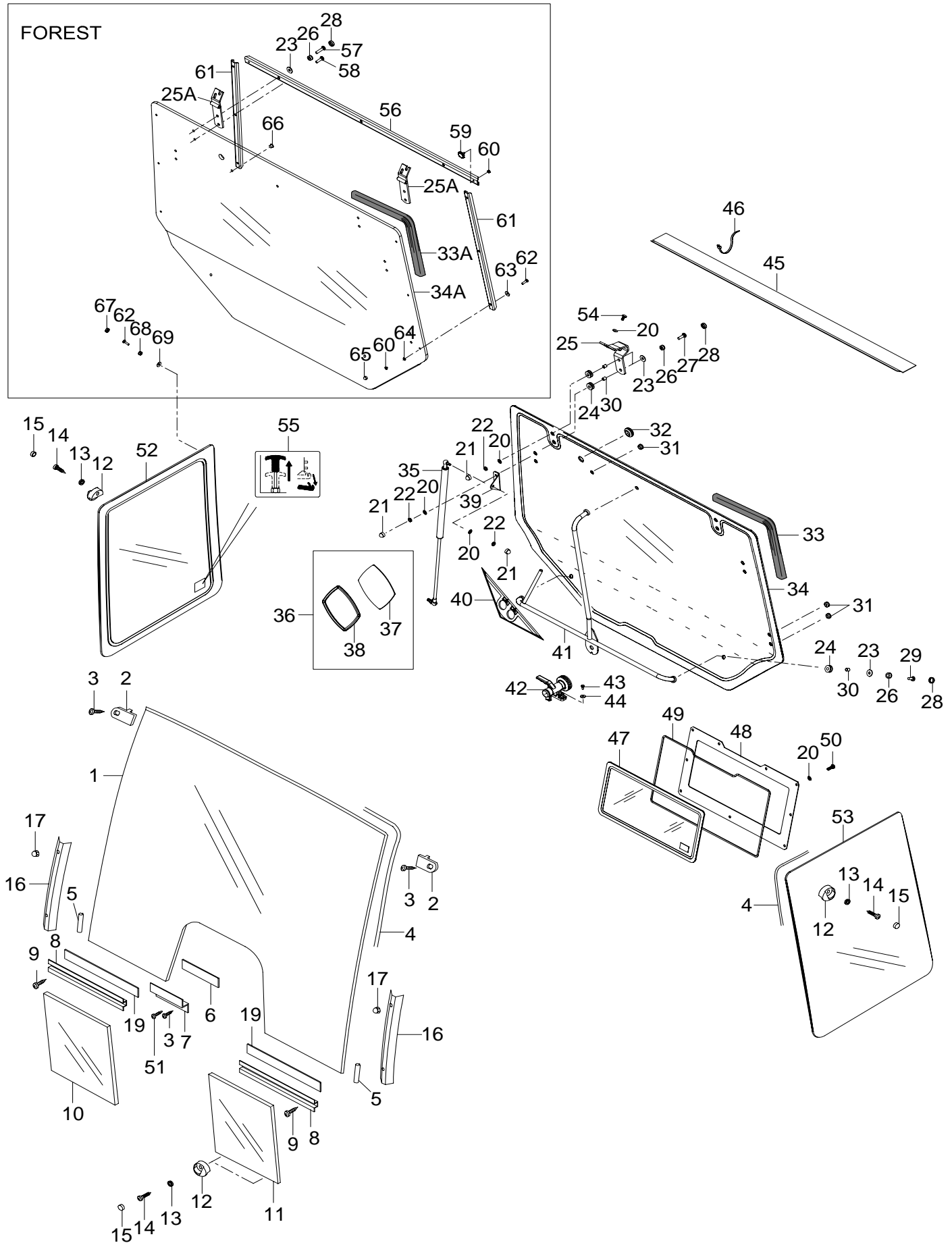




25.5.2007

N91c, N91h, N101c,
N101h, N111c, N111h,
N111eh, N121h,
N121LS, N141h, N141LS

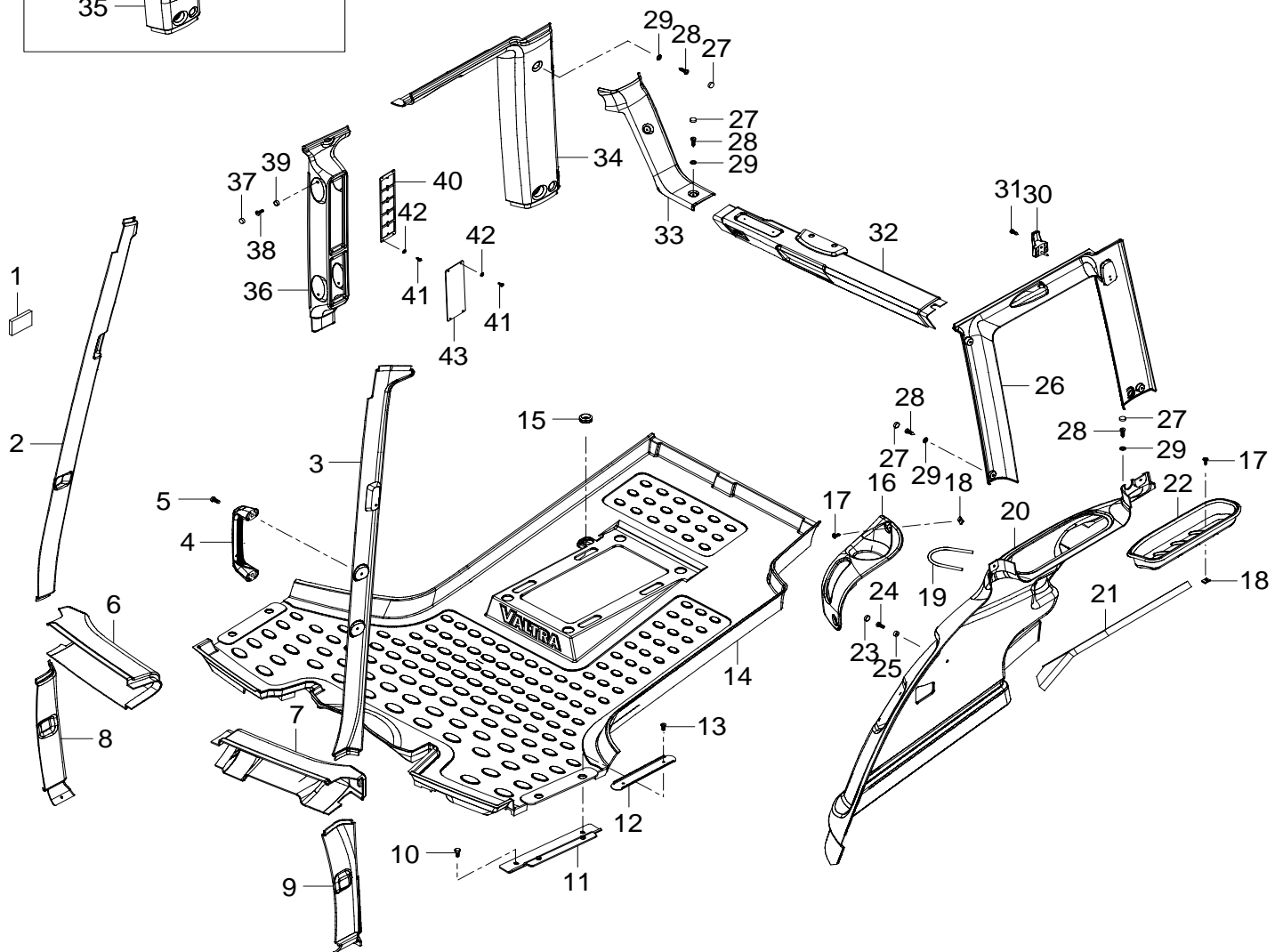
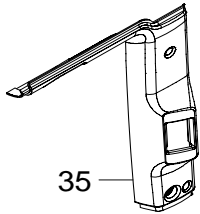
FOREST



25.5.2007

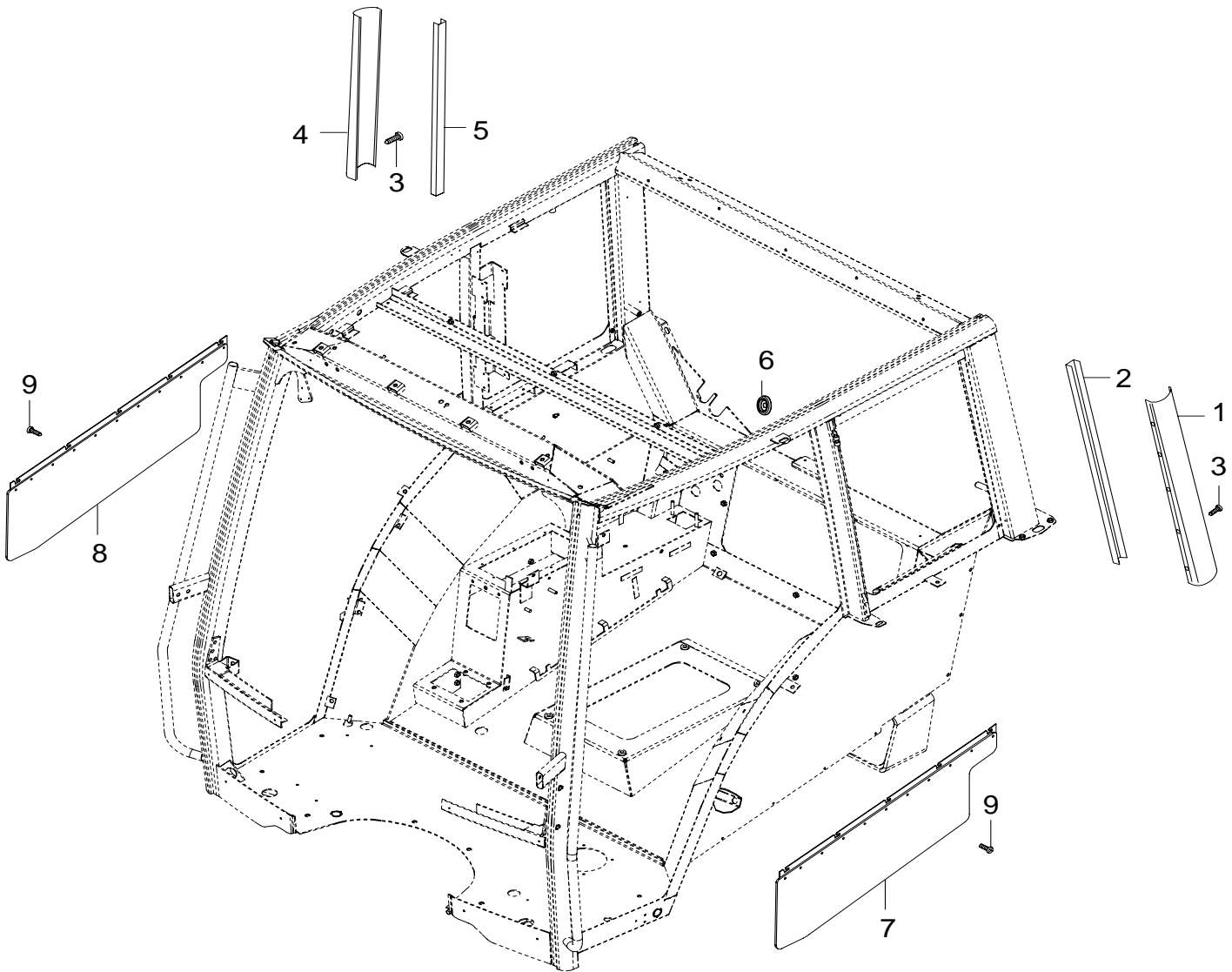
N91c, N91h, N101c,
N101h, N111c, N111h,
N111eh, N121h,
N121LS, N141h, N141LS

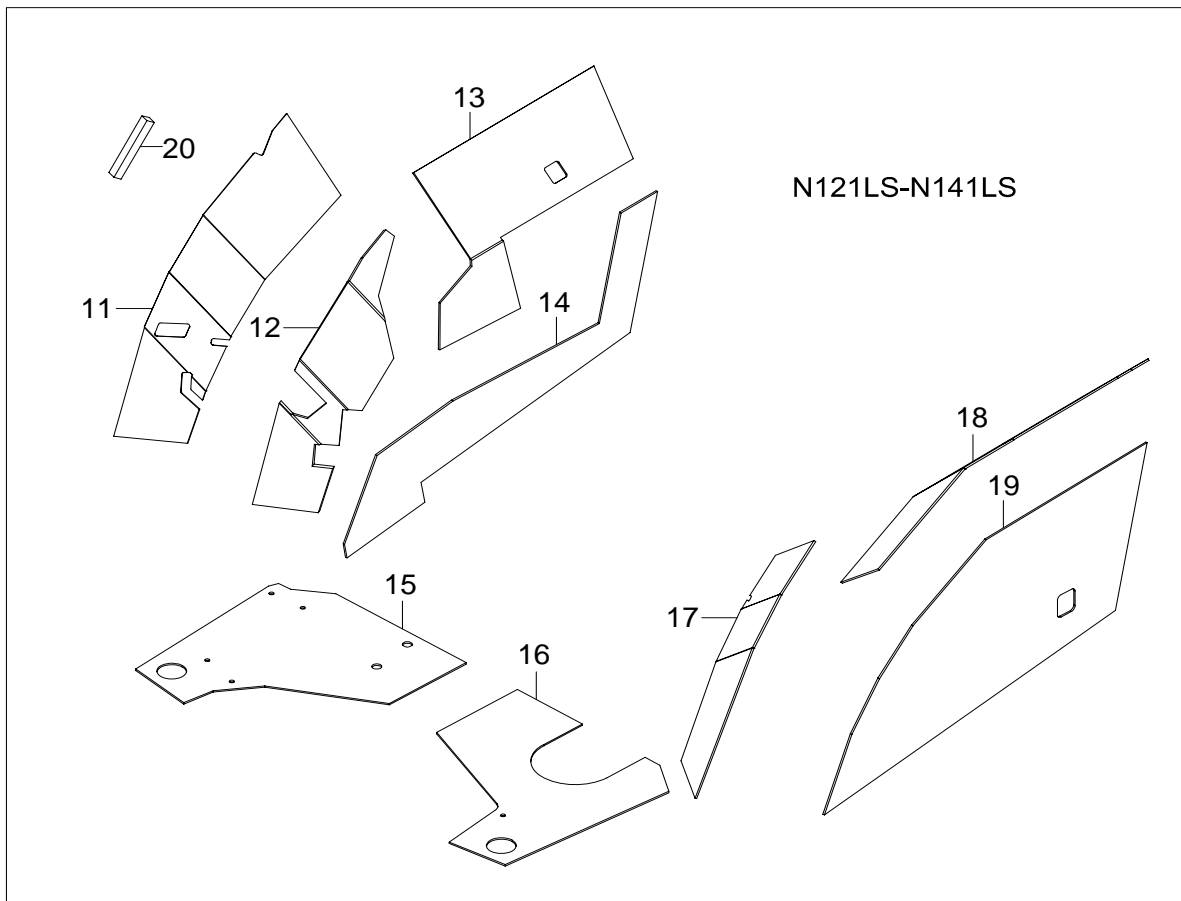
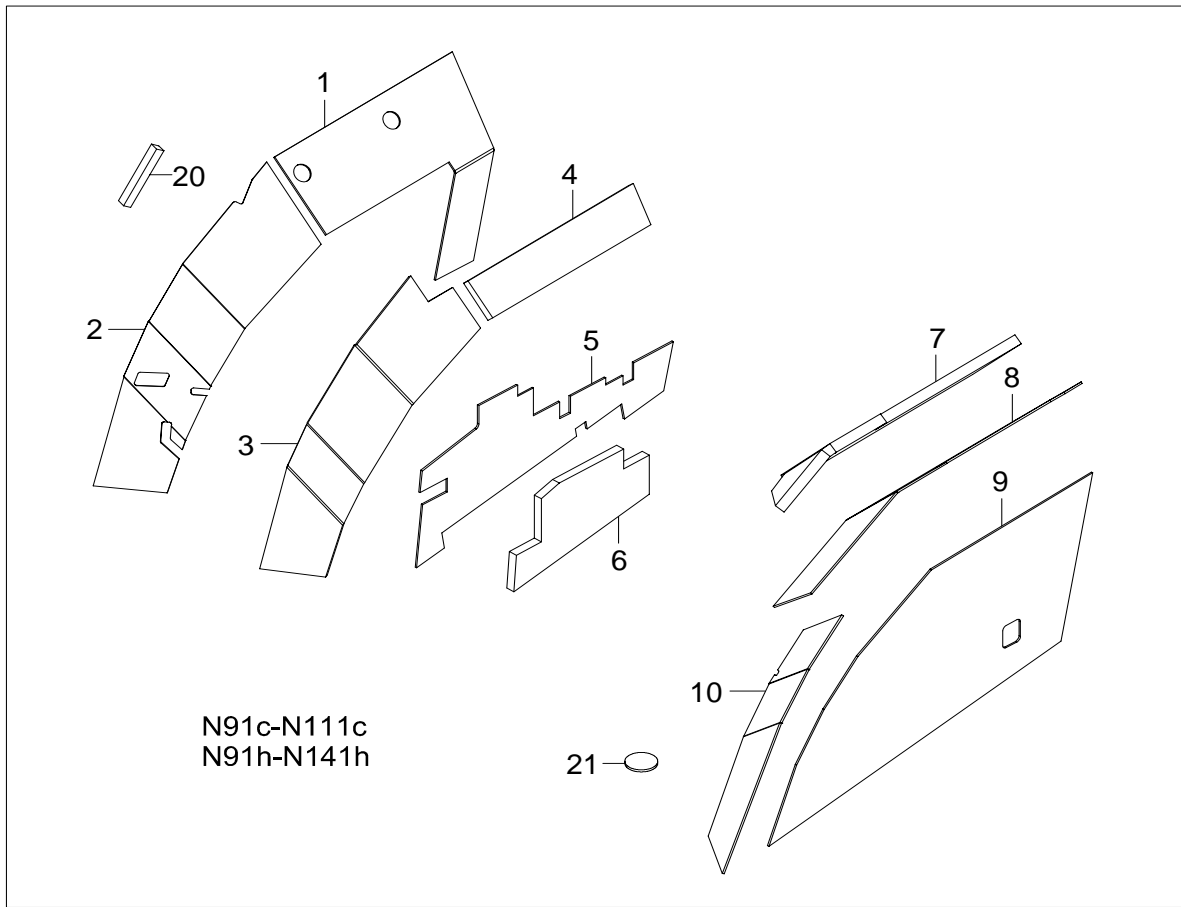
With back driving system



25.5.2007

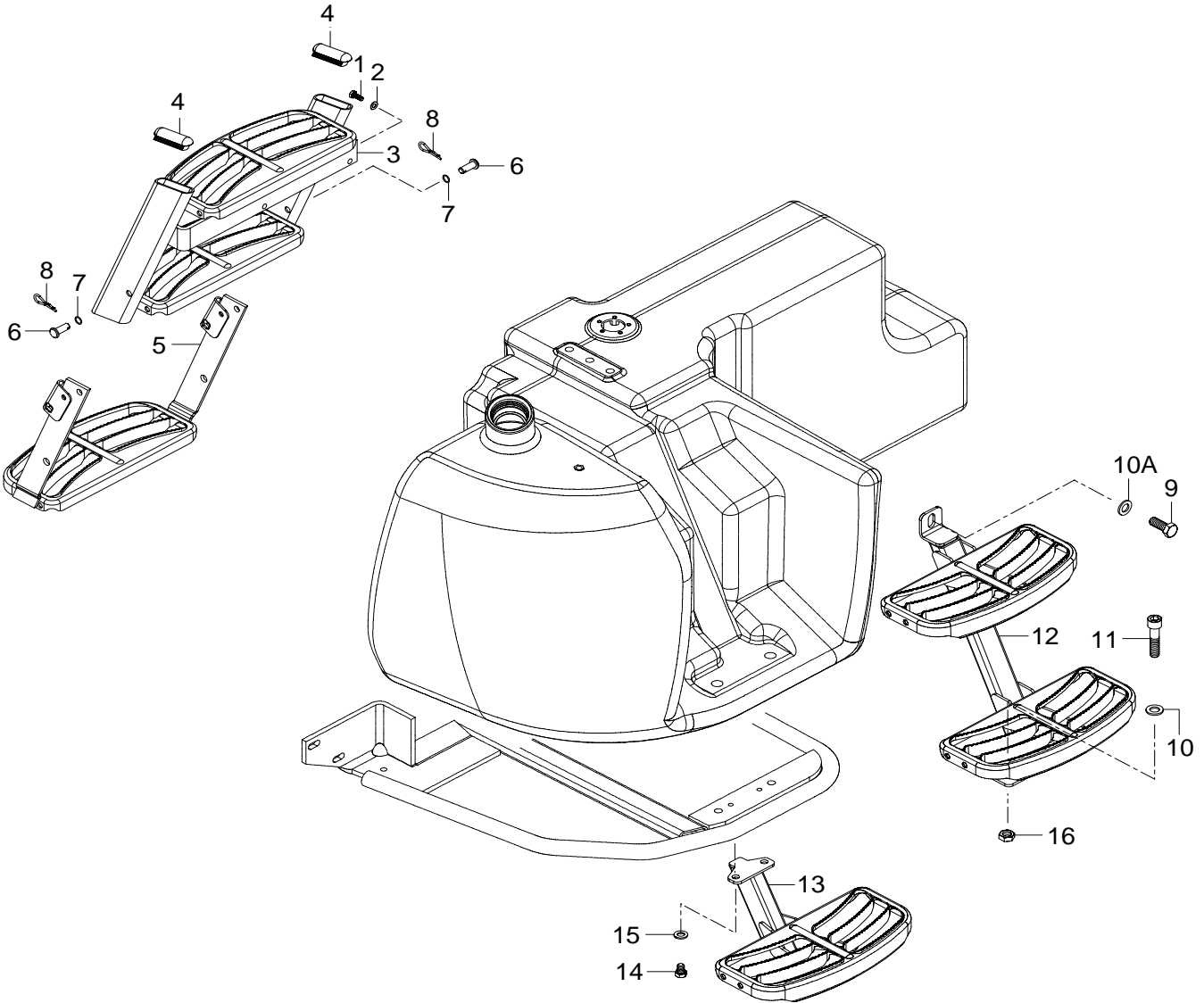
N91c, N91h, N101c,
N101h, N111c, N111h,
N111eh, N121h,
N121LS, N141h, N141LS

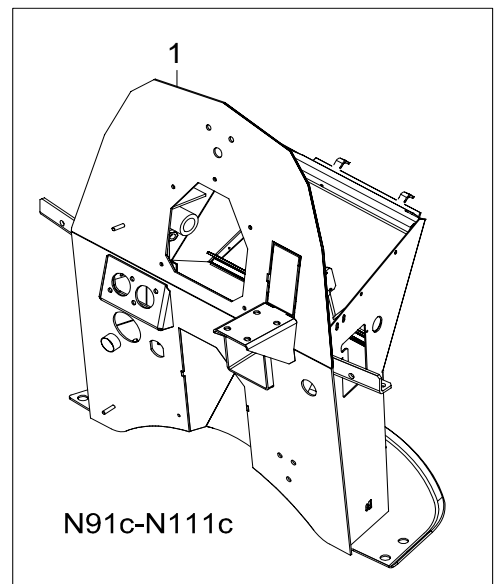
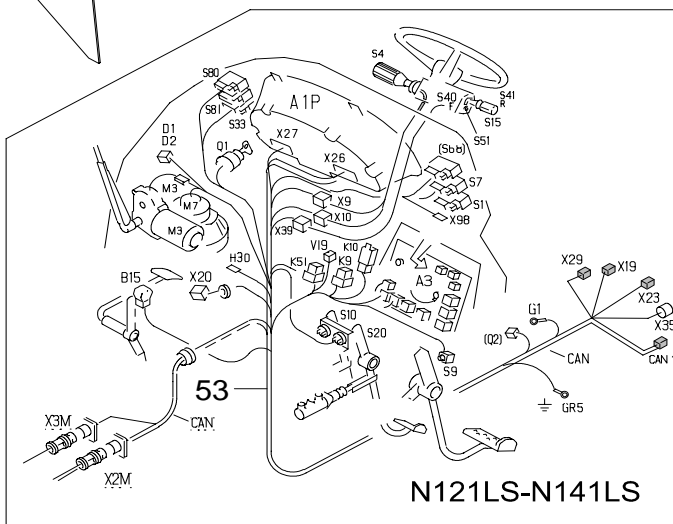
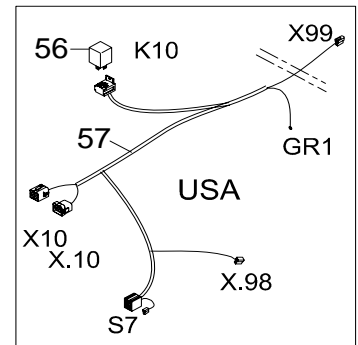
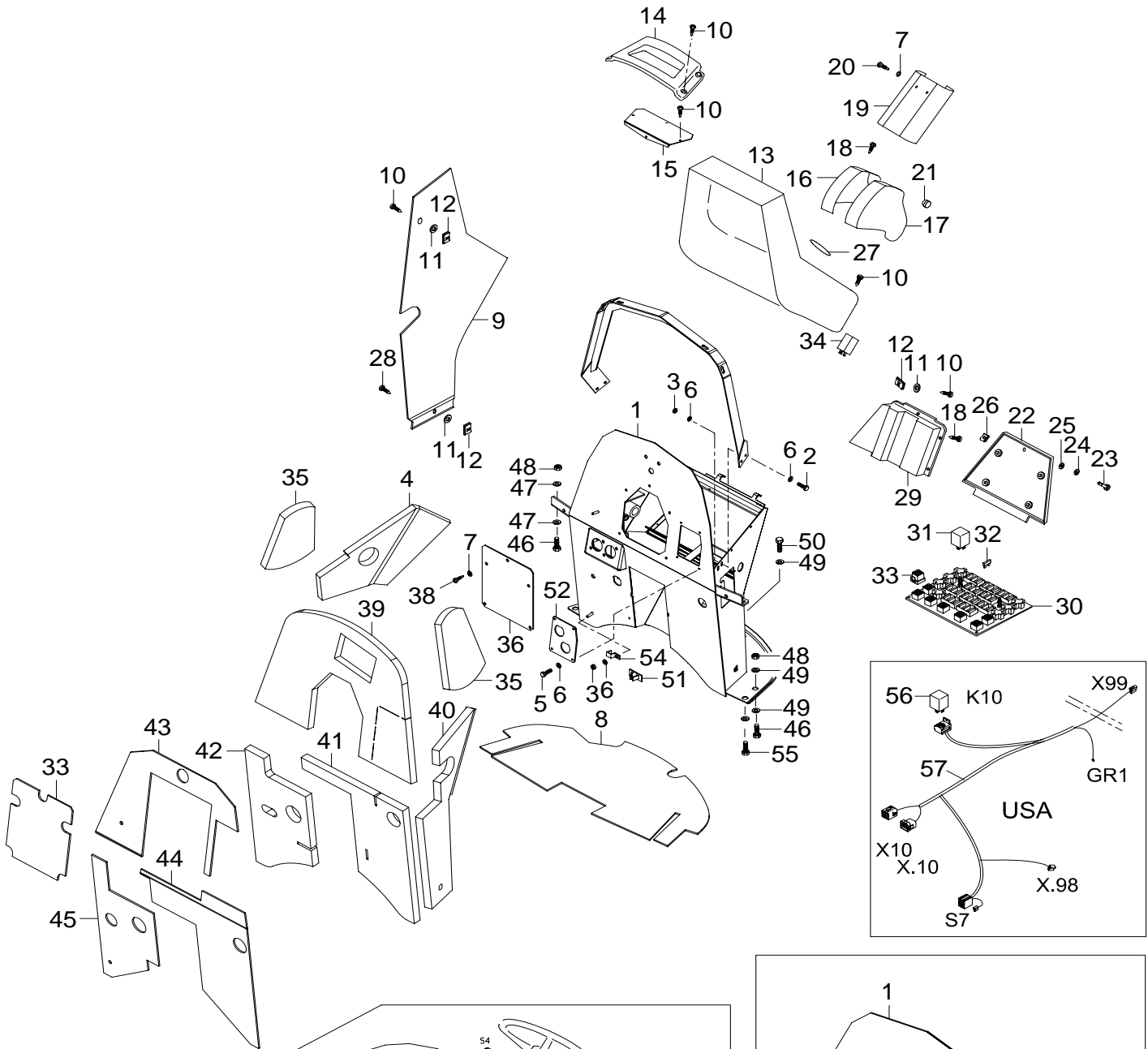




25.5.2007

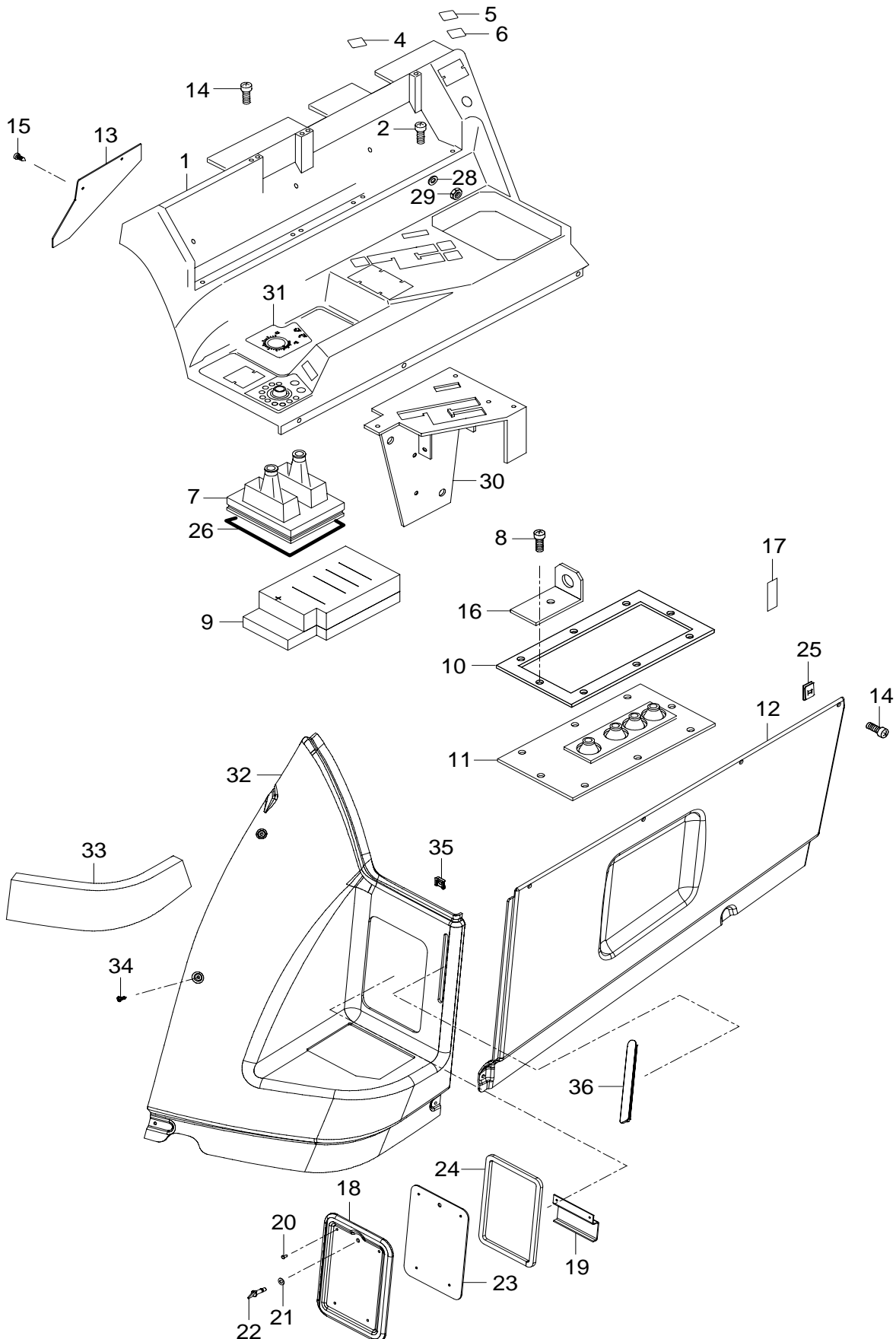
N91c, N91h, N101c,
N101h, N111c, N111h,
N111eh, N121h,
N121LS, N141h, N141LS

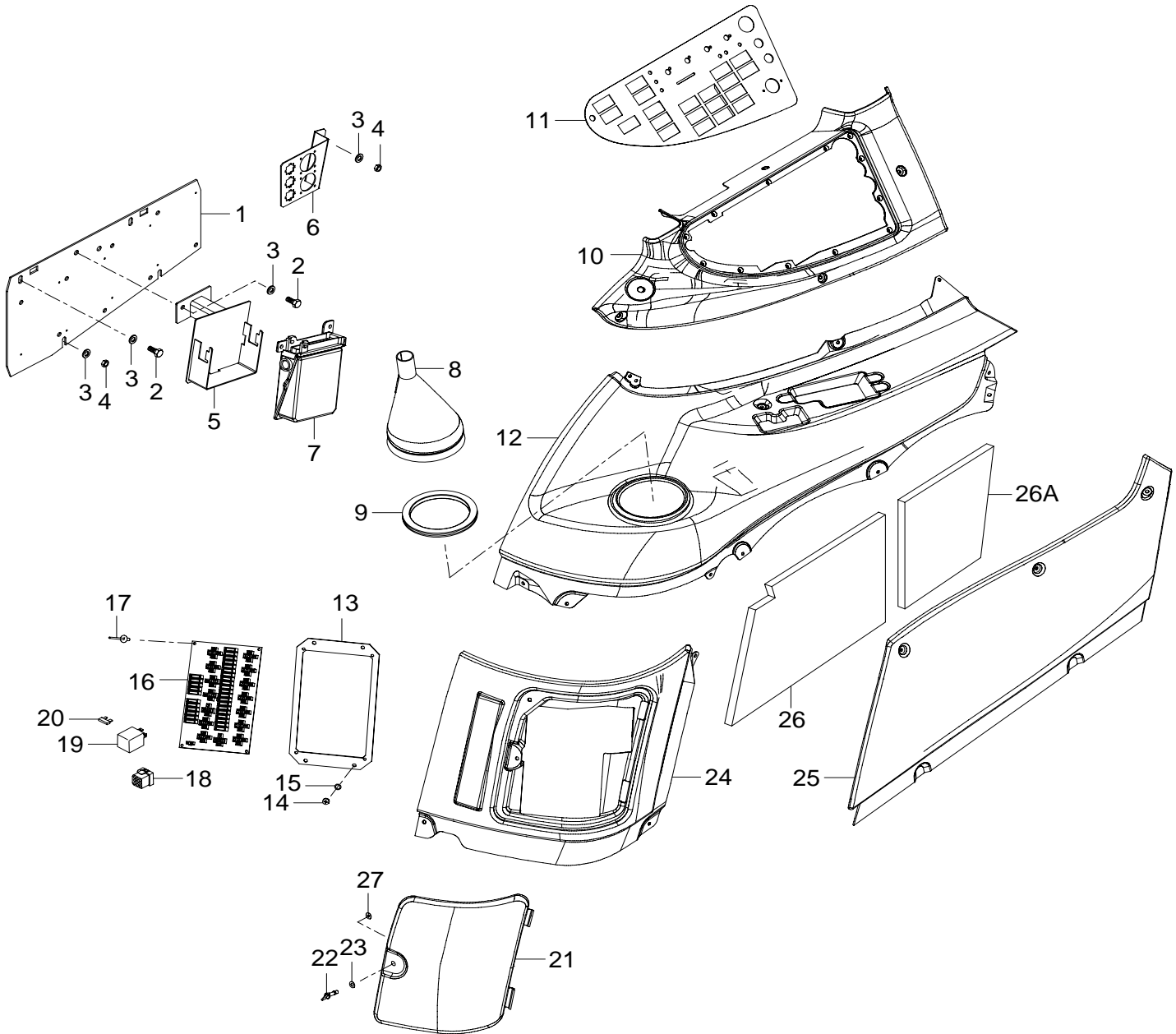


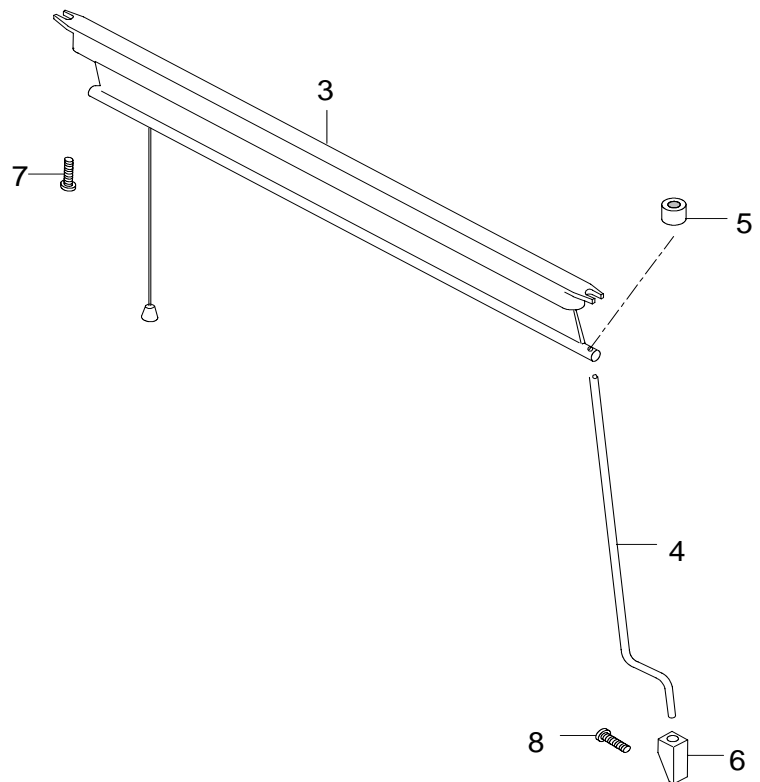
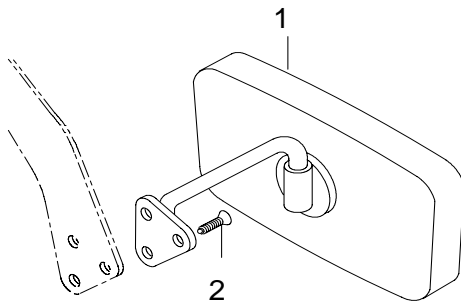


25.5.2007

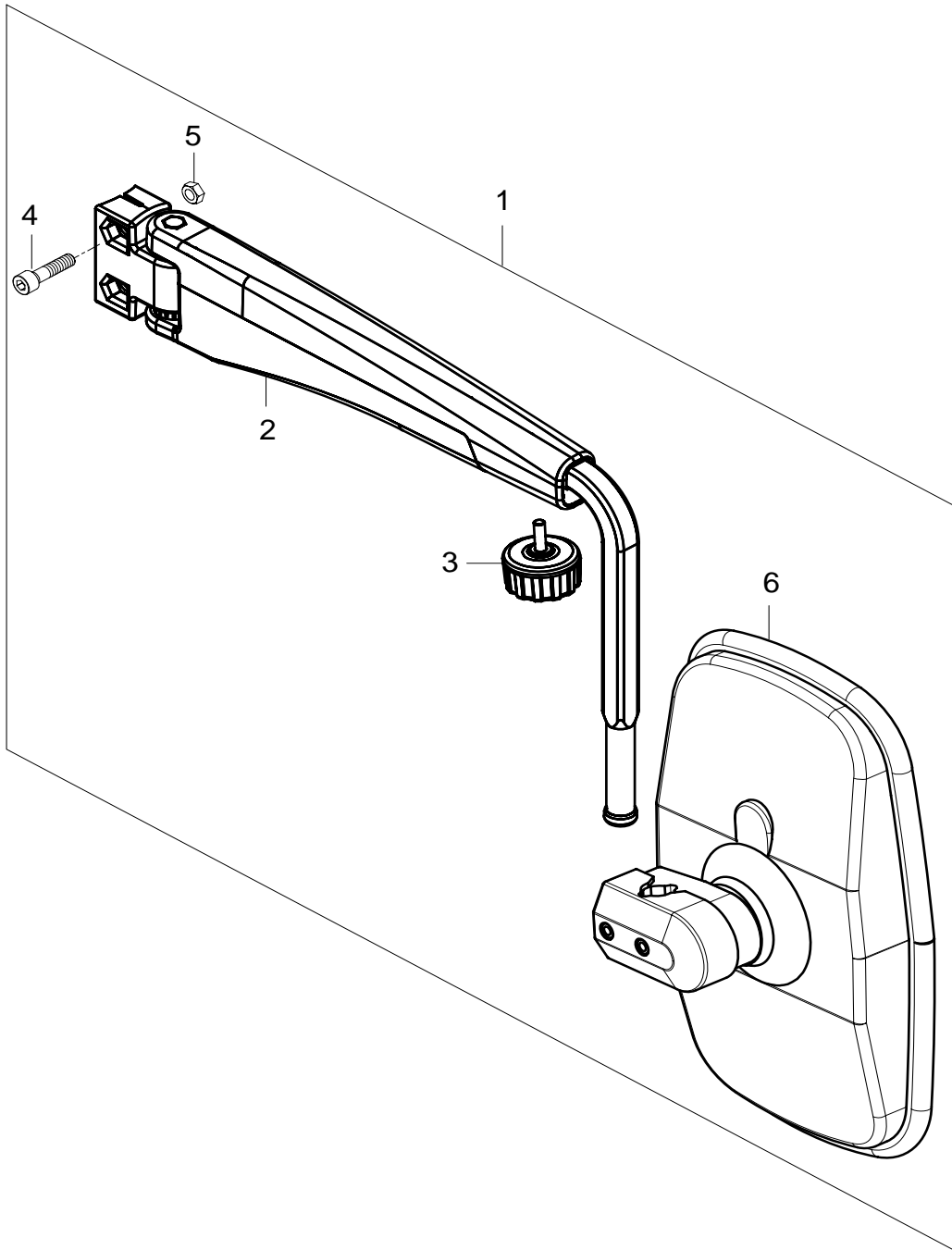
N91c, N91h, N101c,
N101h, N111c, N111h,
N111eh, N121h, N141h

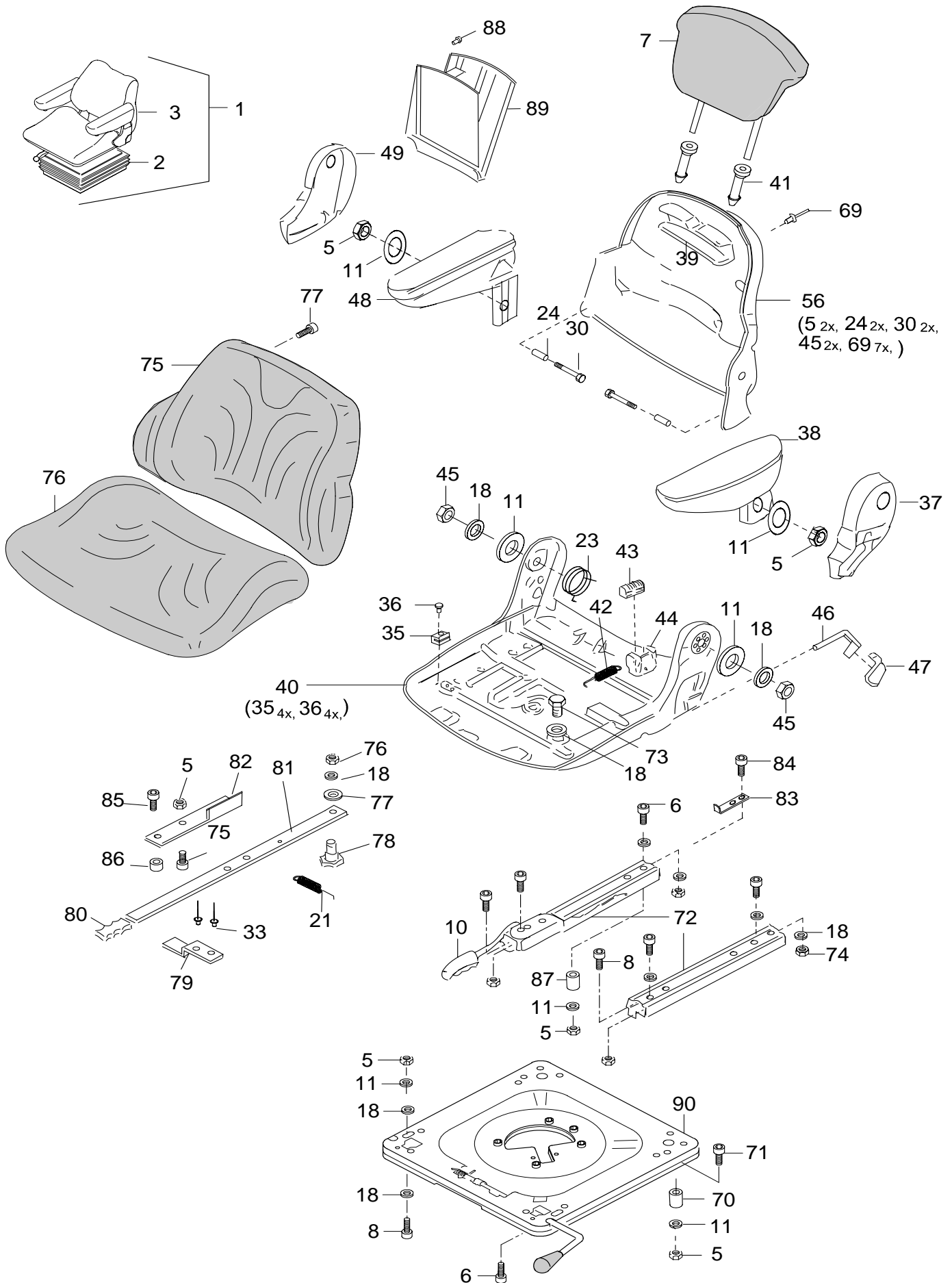


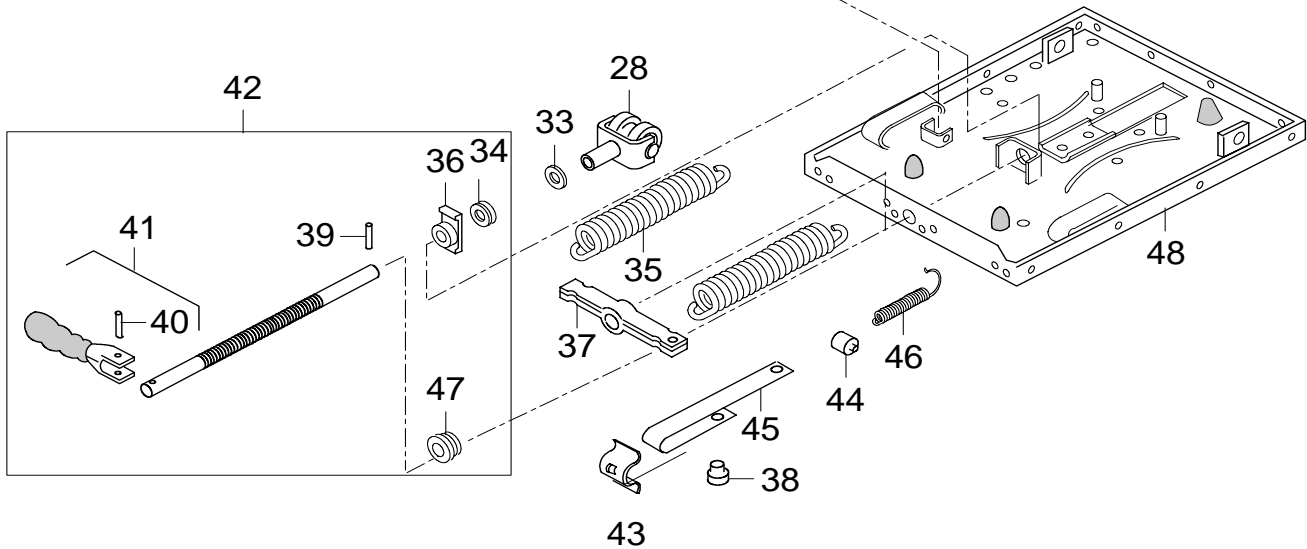
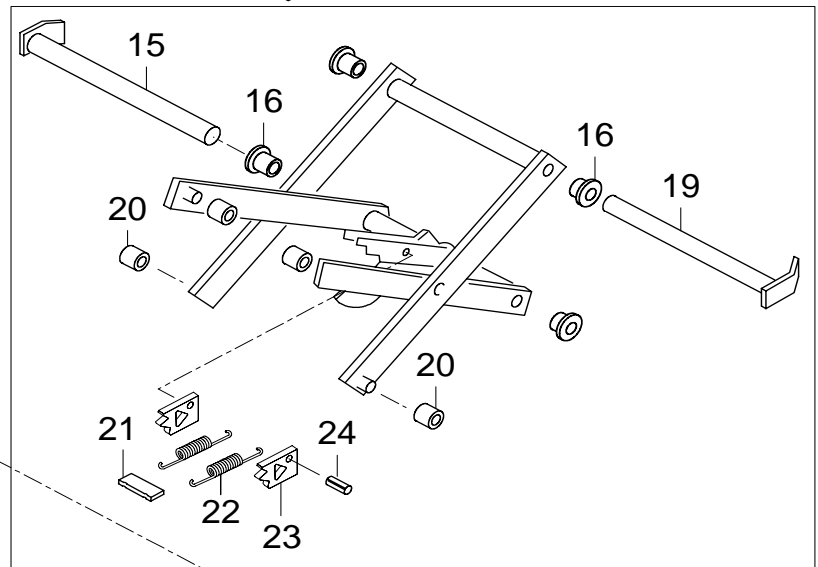
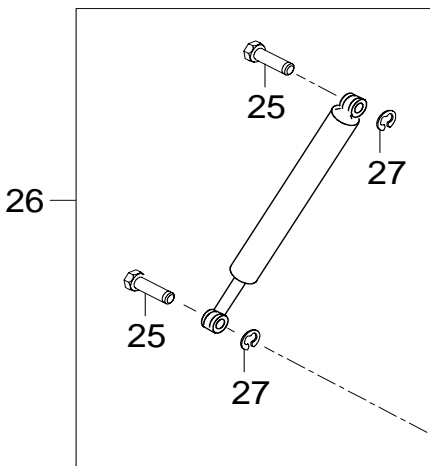
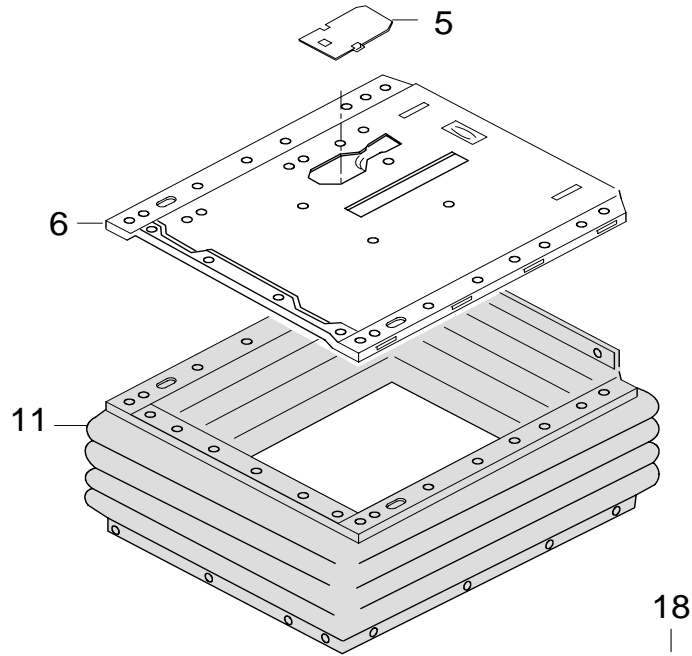


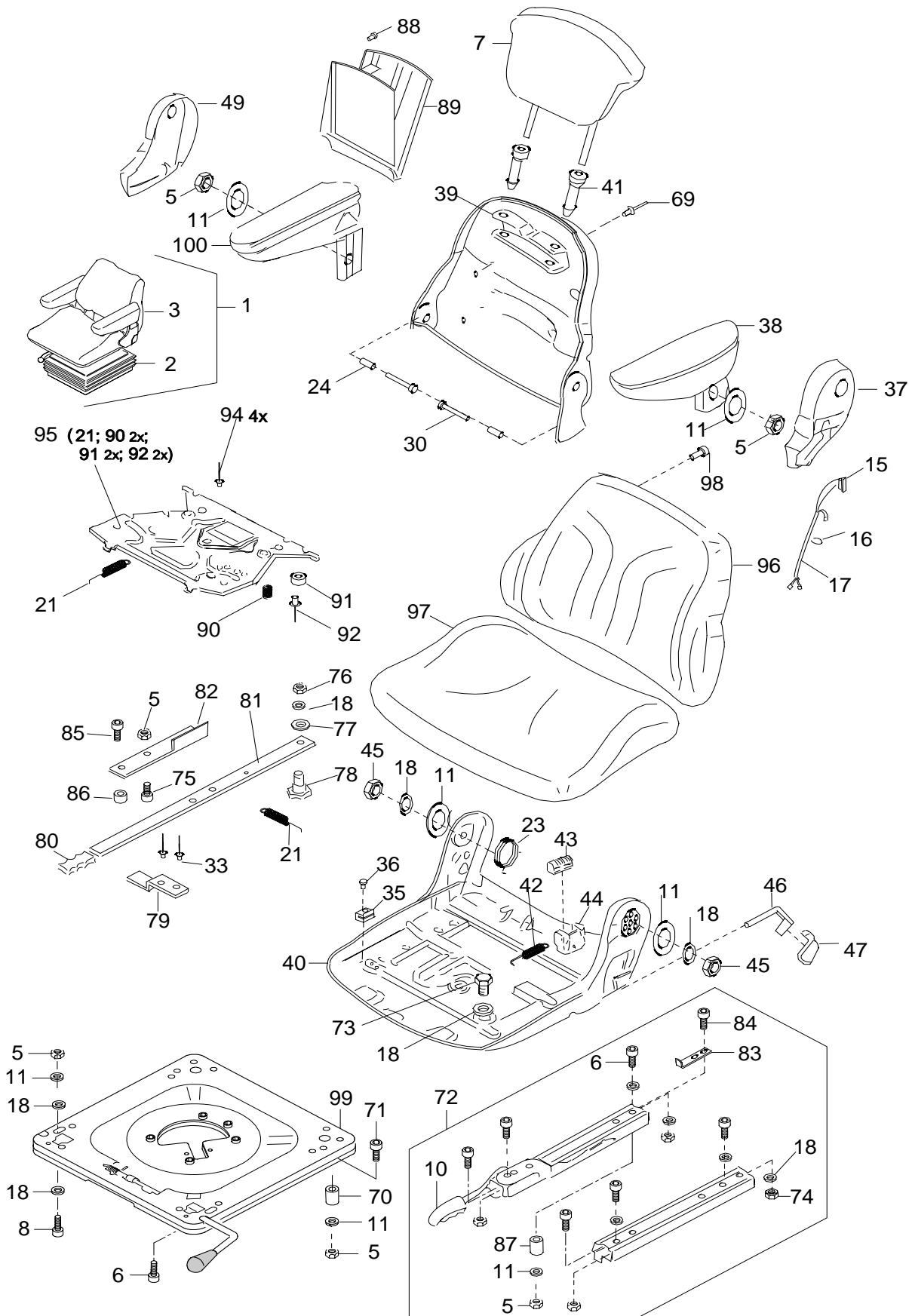


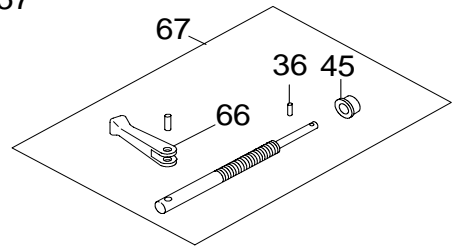
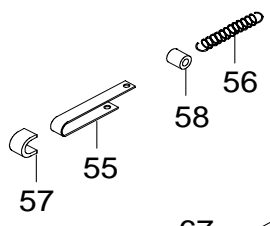
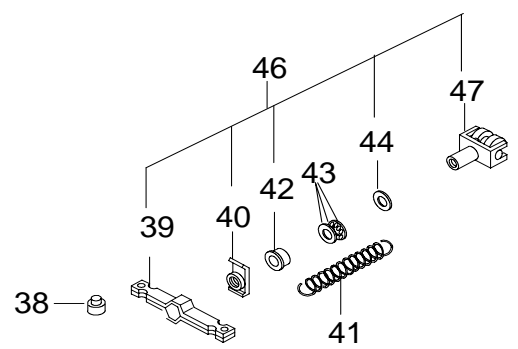
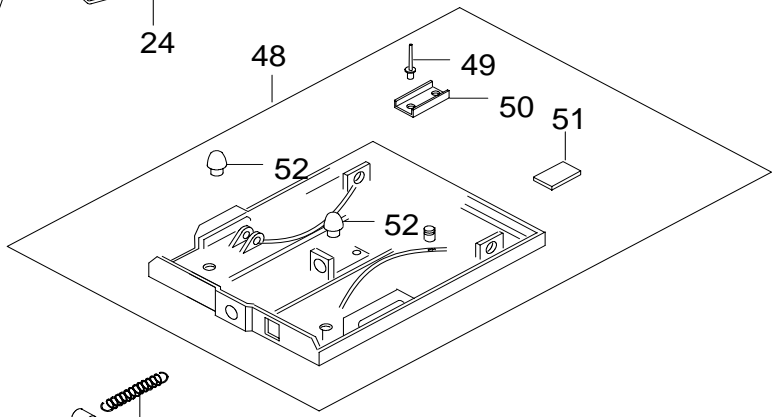
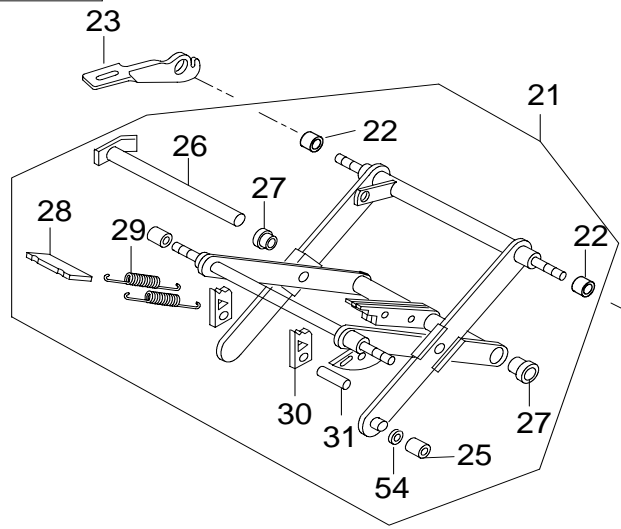
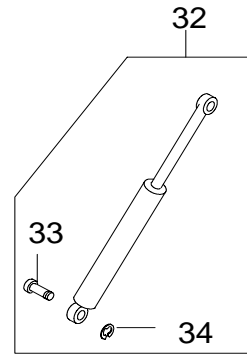
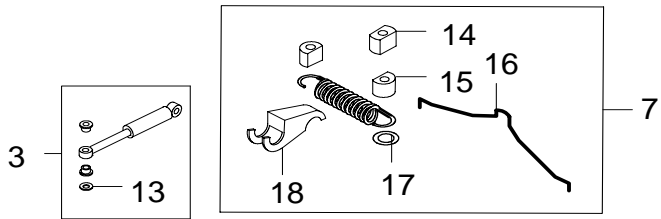
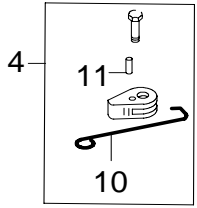
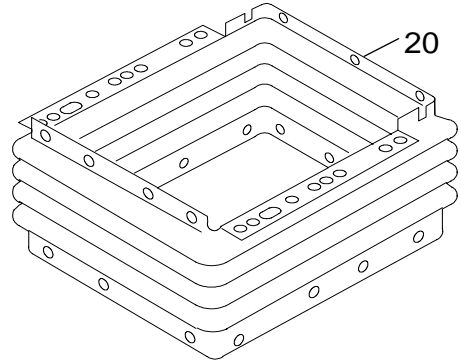
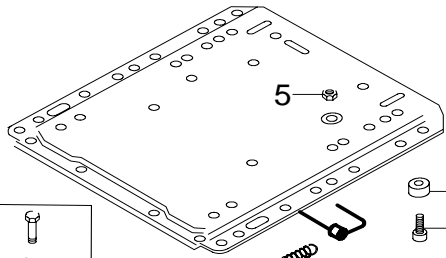
25.5.2007

N91c, N91h, N101c,
N101h, N111c, N111h,
N111eh, N121h,
N121LS, N141h, N141LS



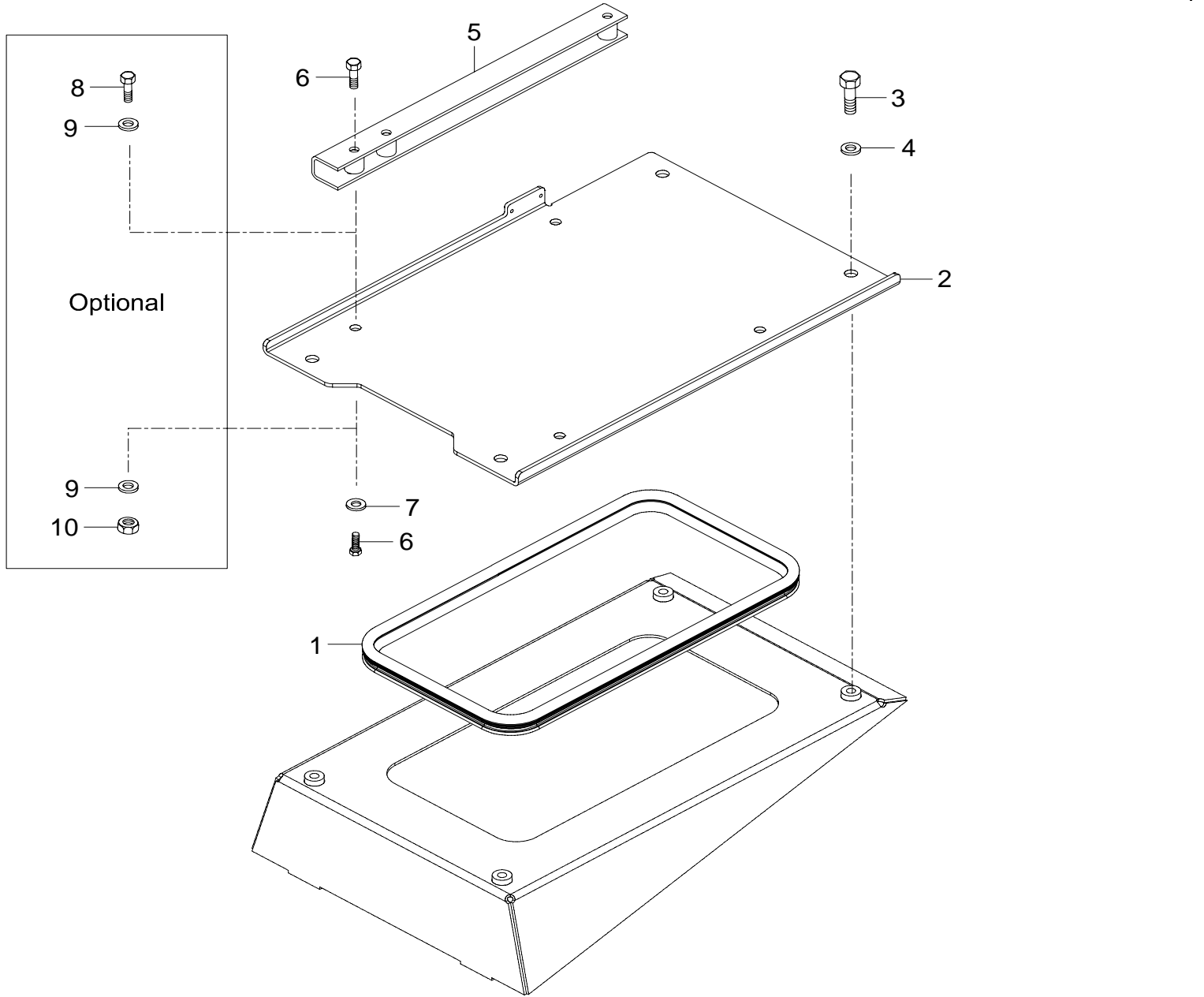


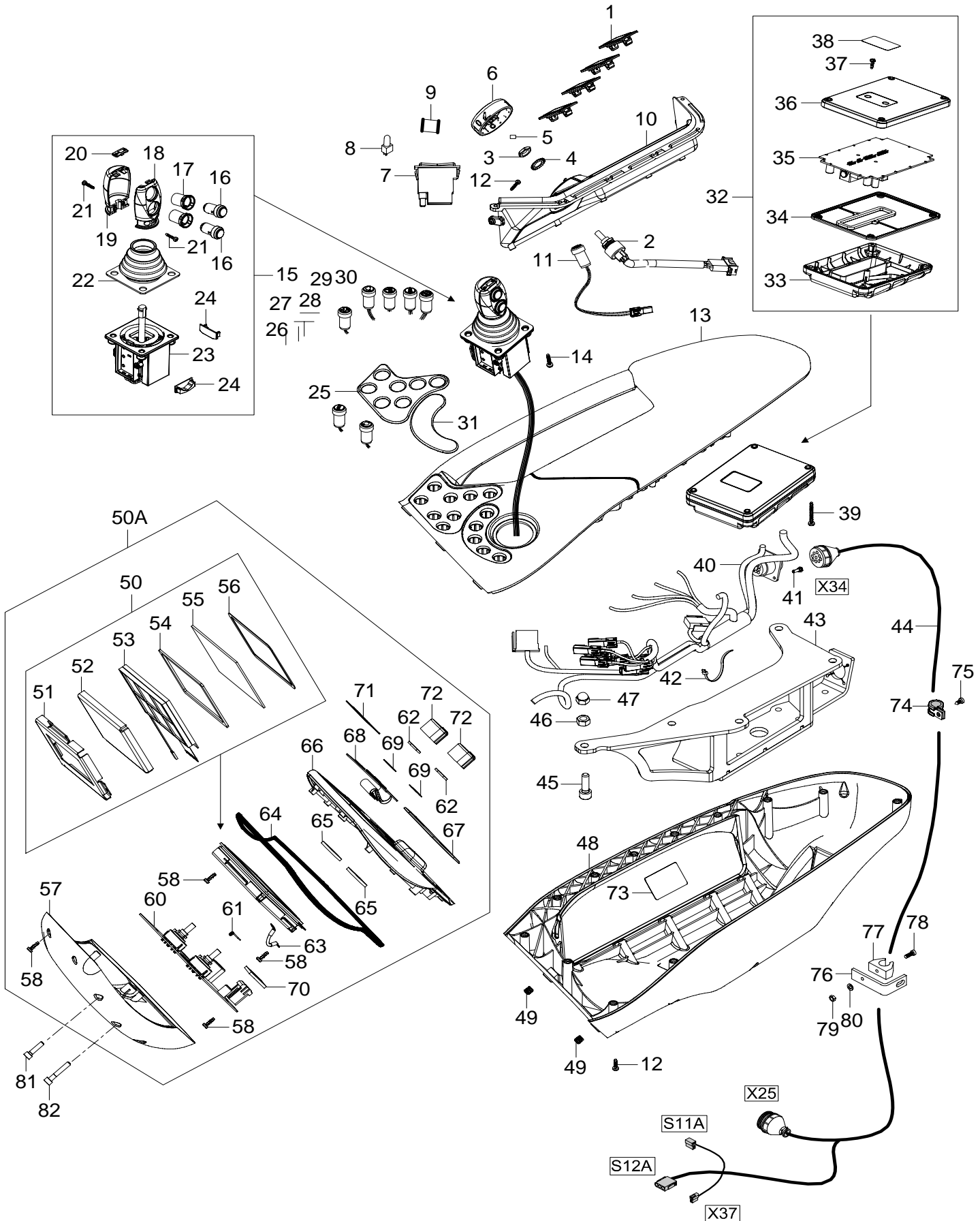


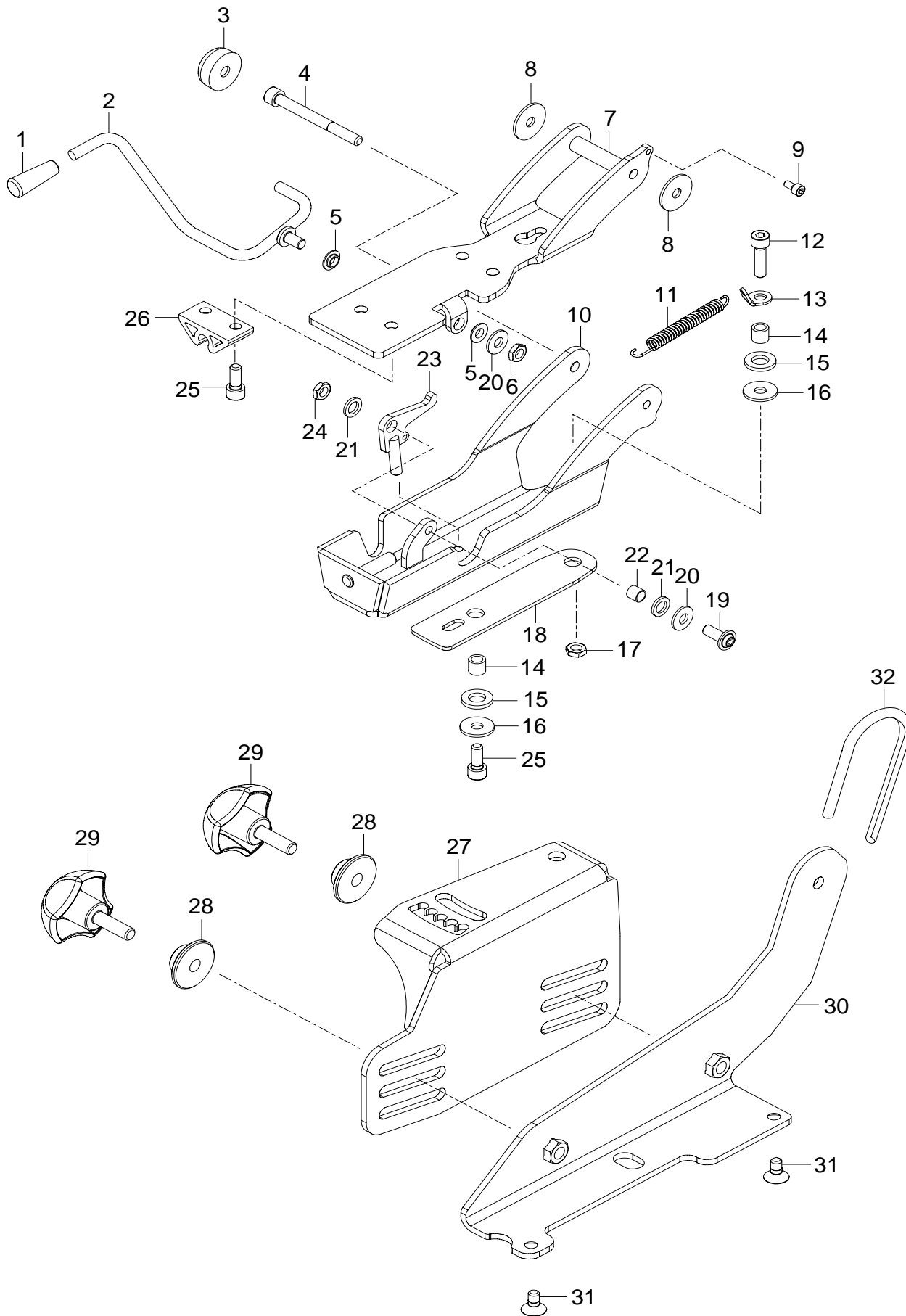


25.5.2007

N91c, N91h, N101c,
N101h, N111c, N111h,
N111eh, N121h,
N121LS, N141h, N141LS

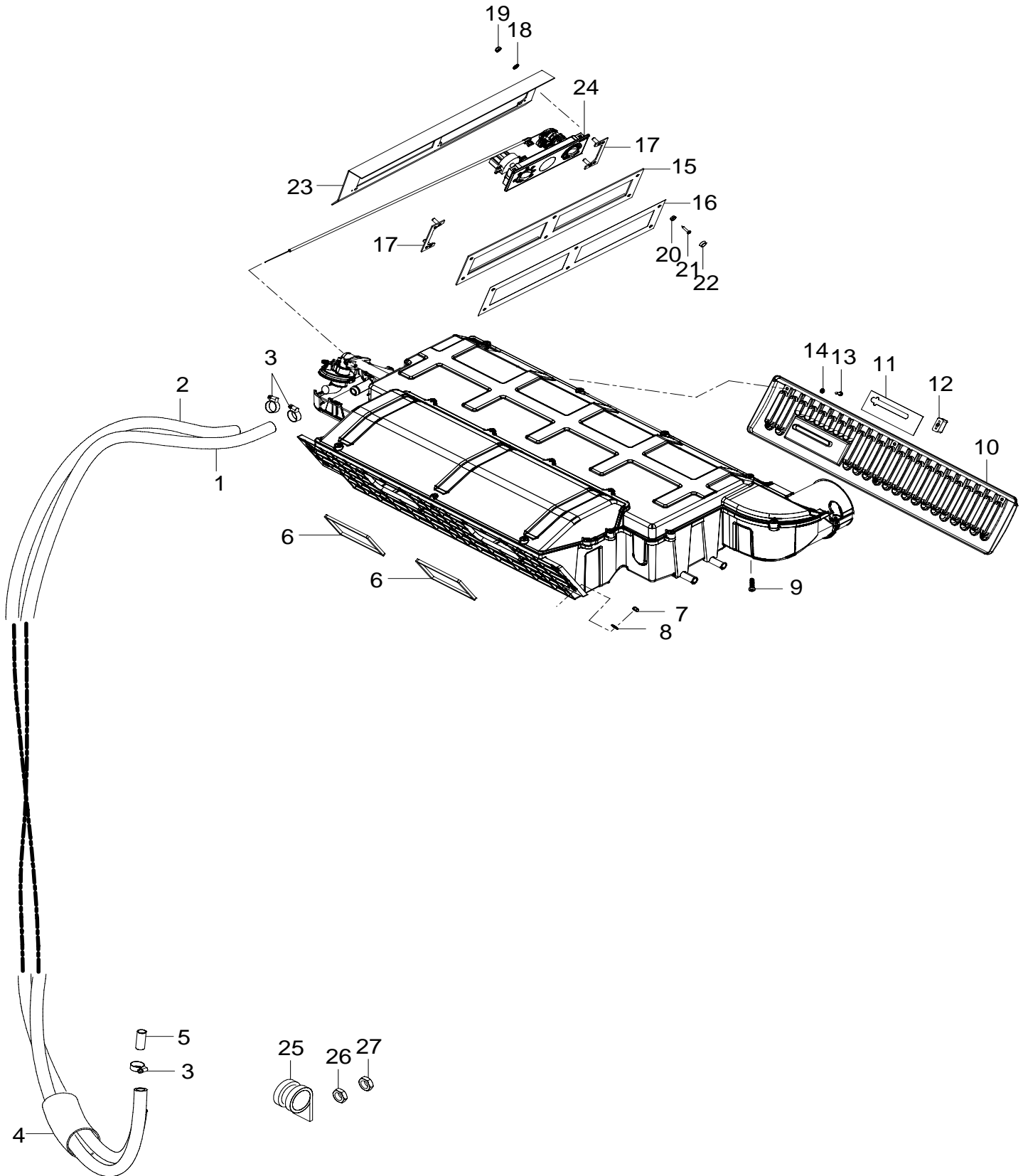






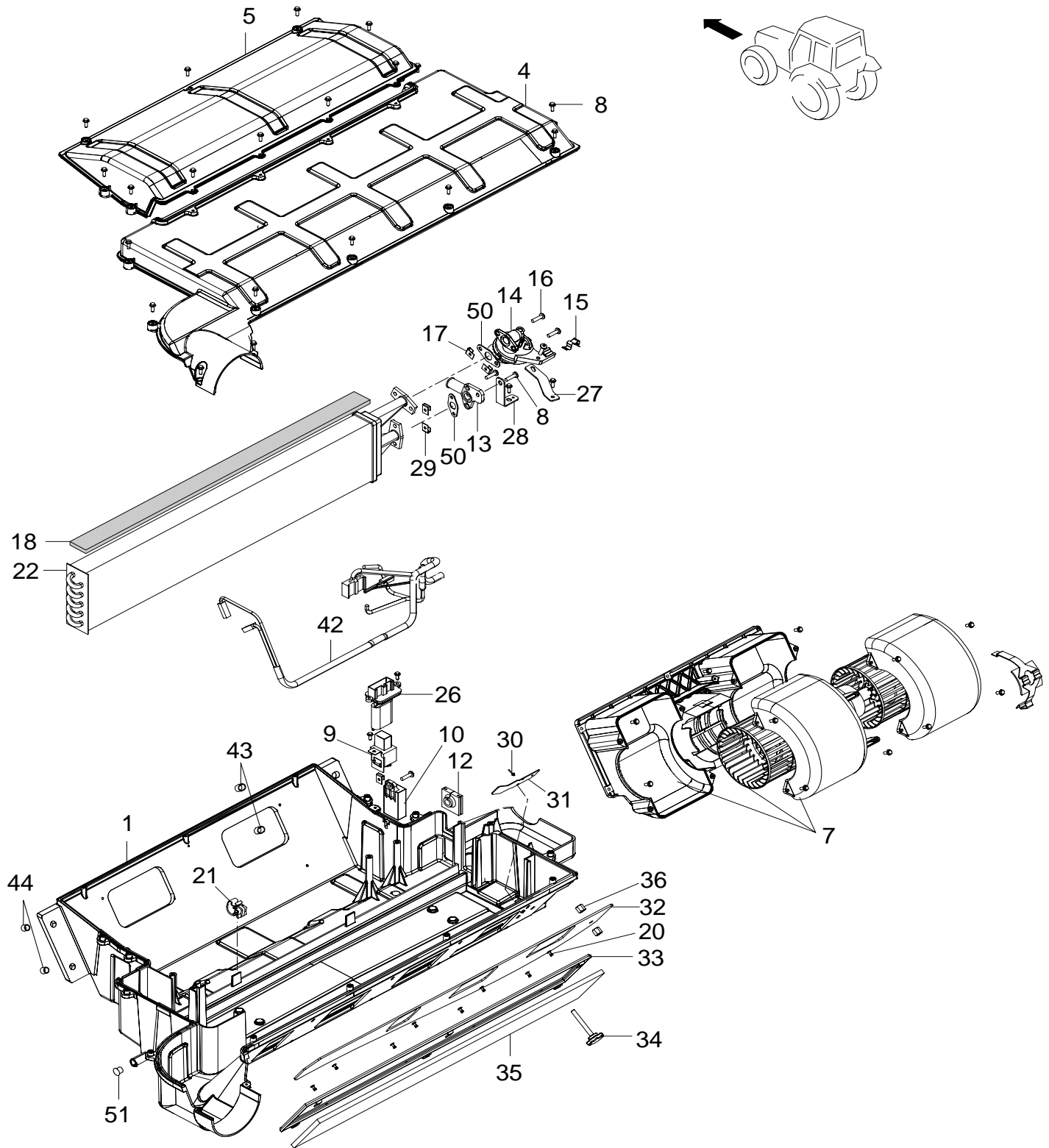
25.5.2007

N91c, N91h, N101c,
N101h, N111c, N111h,
N111eh, N121h,
N121LS, N141h, N141LS



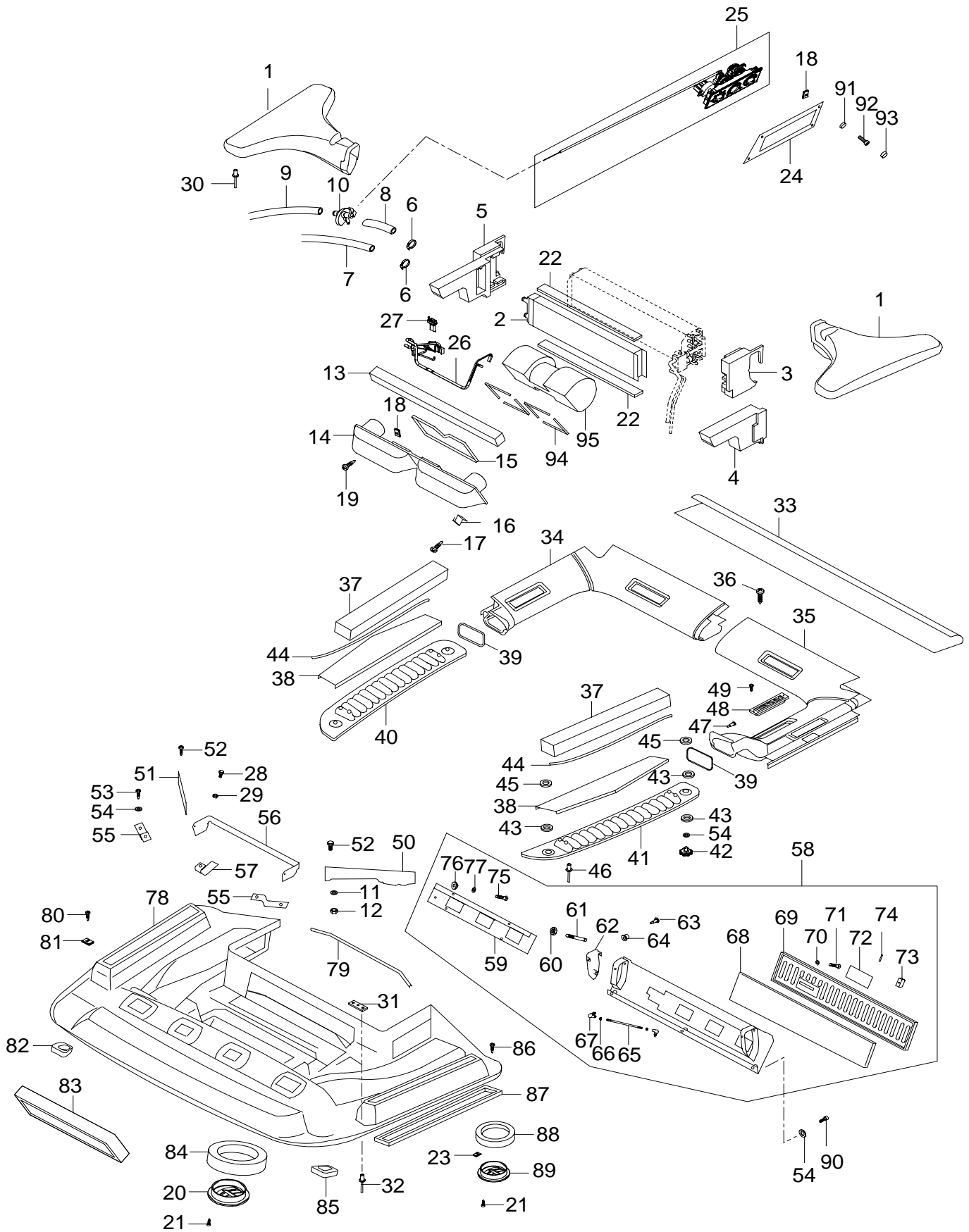
25.5.2007

N91c, N91h, N101c,
N101h, N111c, N111h,
N111eh, N121h,
N121LS, N141h, N141LS

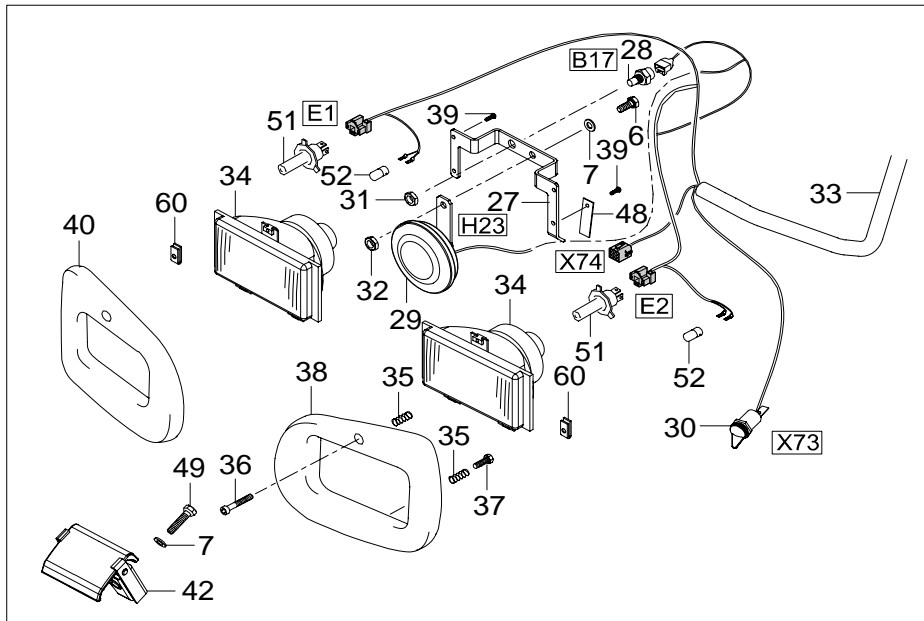
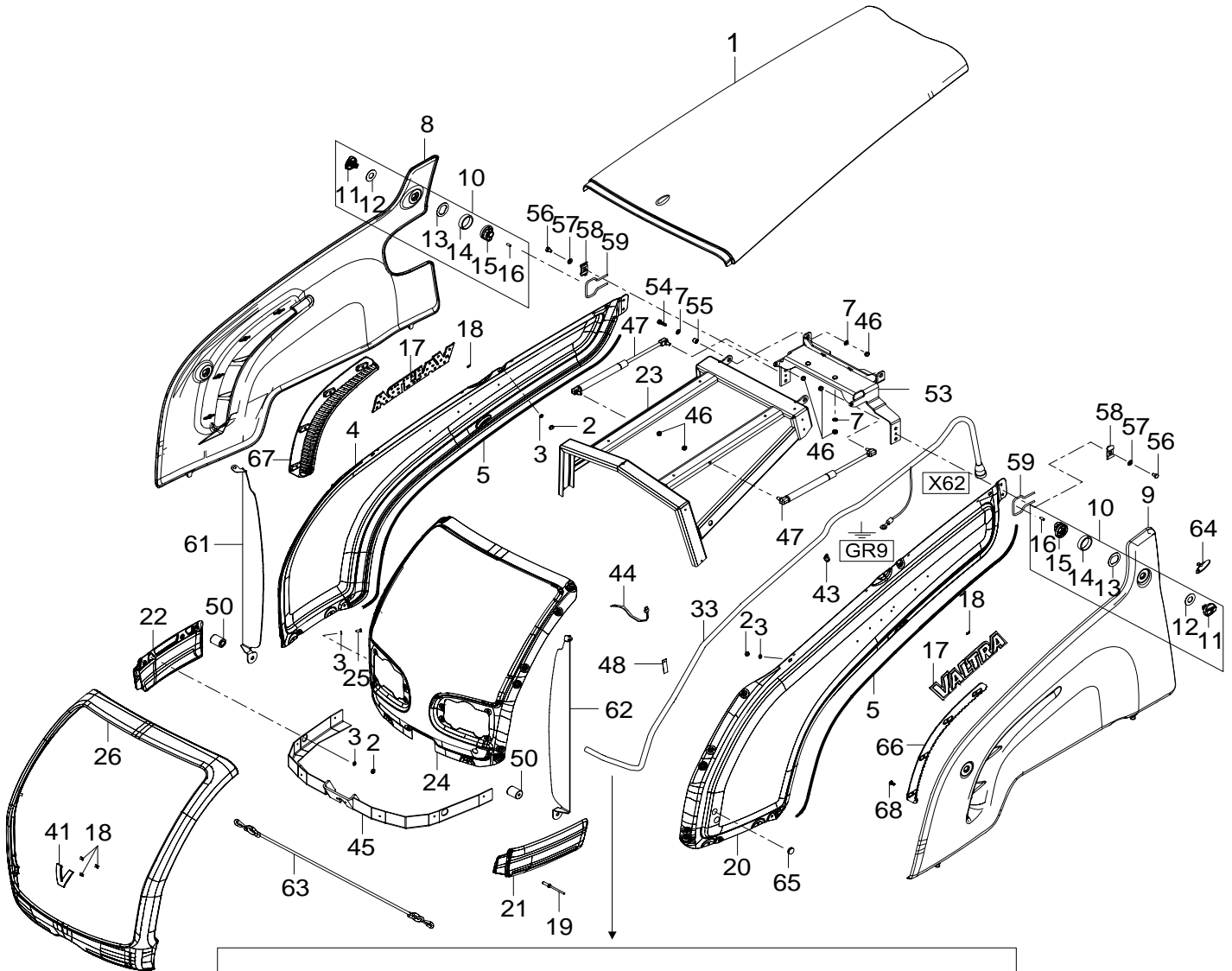


25.5.2007

N91c, N91h, N101c,
N101h, N111c, N111h,
N111eh, N121h,
N121LS, N141h, N141LS

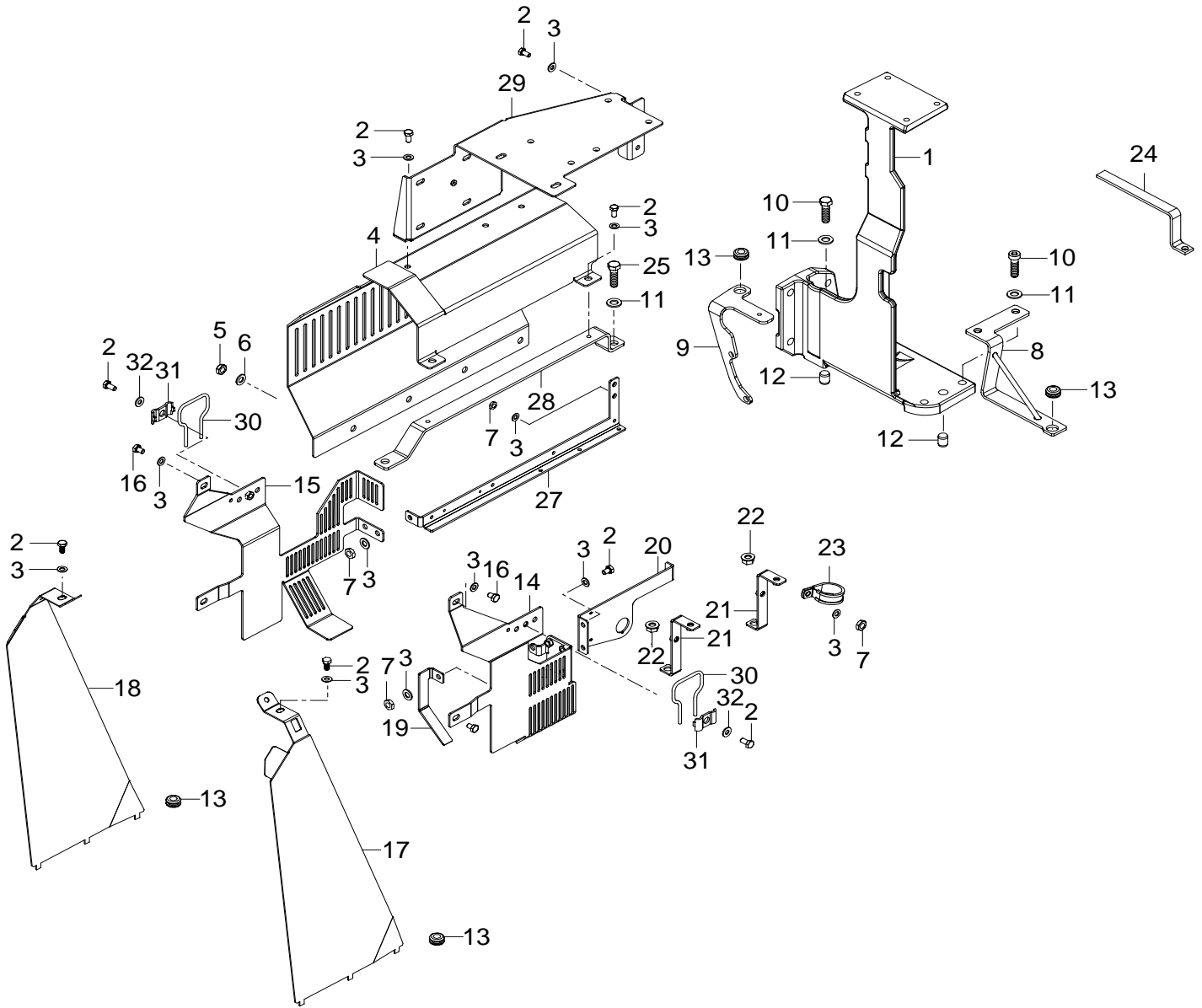


25.5.2007
 N91c, N91h, N101c,
 N101h, N111c, N111h,
 N111eh, N121h,
 N121LS, N141h, N141LS



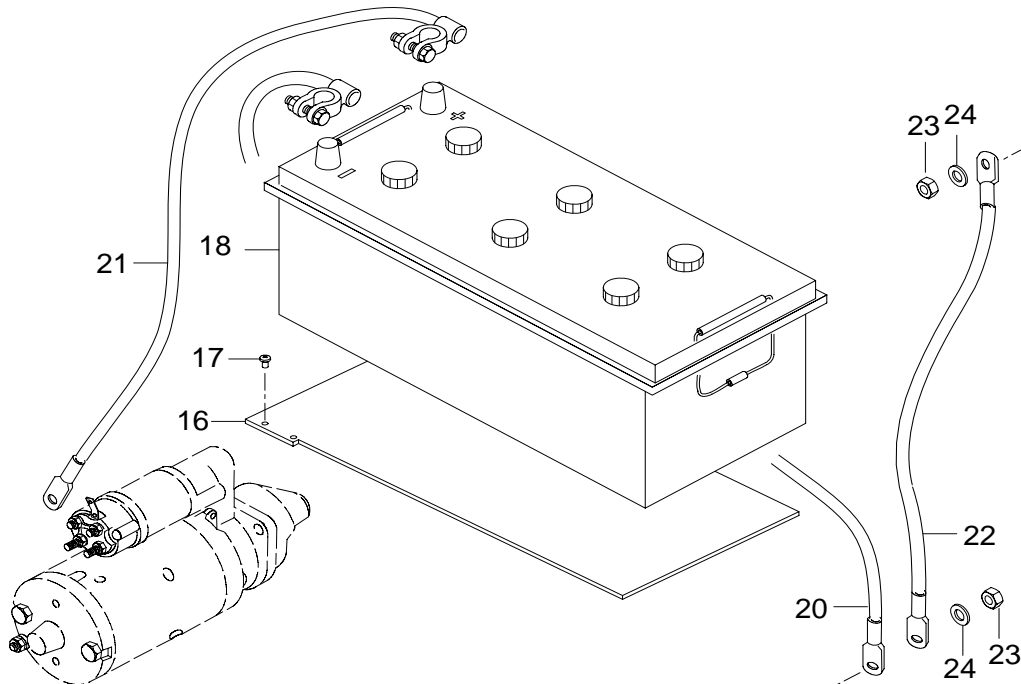
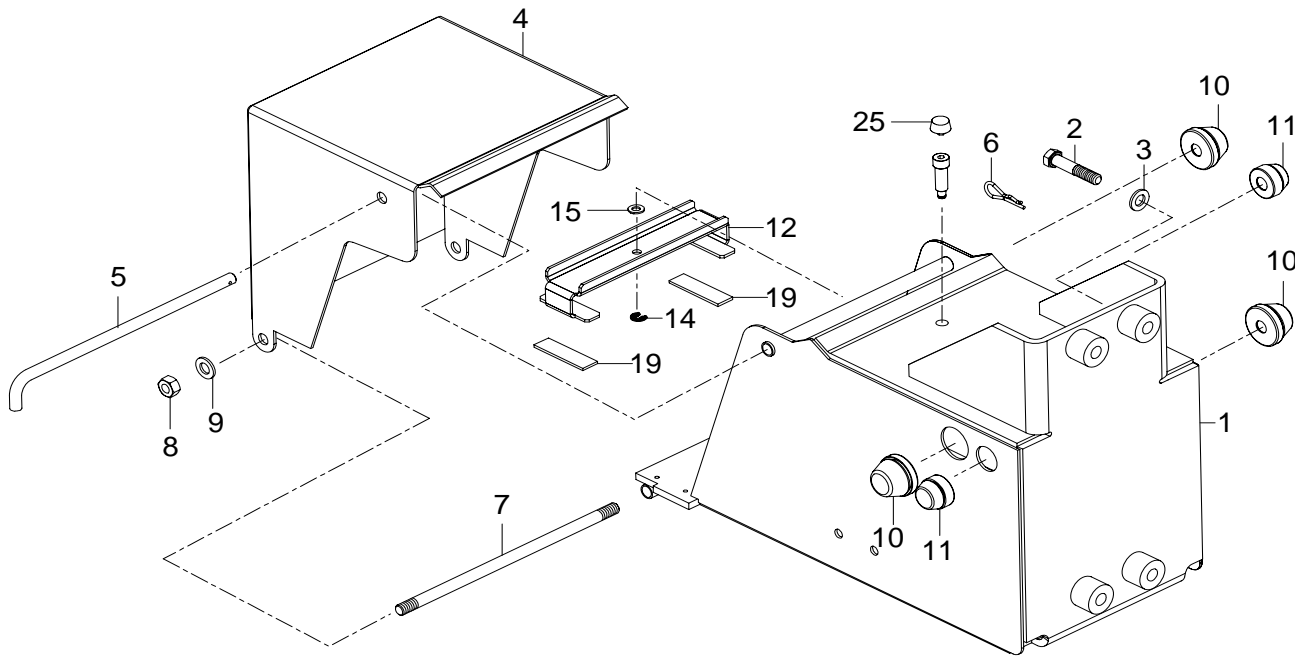
25.5.2007

N91c, N91h, N101c,
N101h, N111c, N111h,
N111eh, N121h,
N121LS, N141h, N141LS



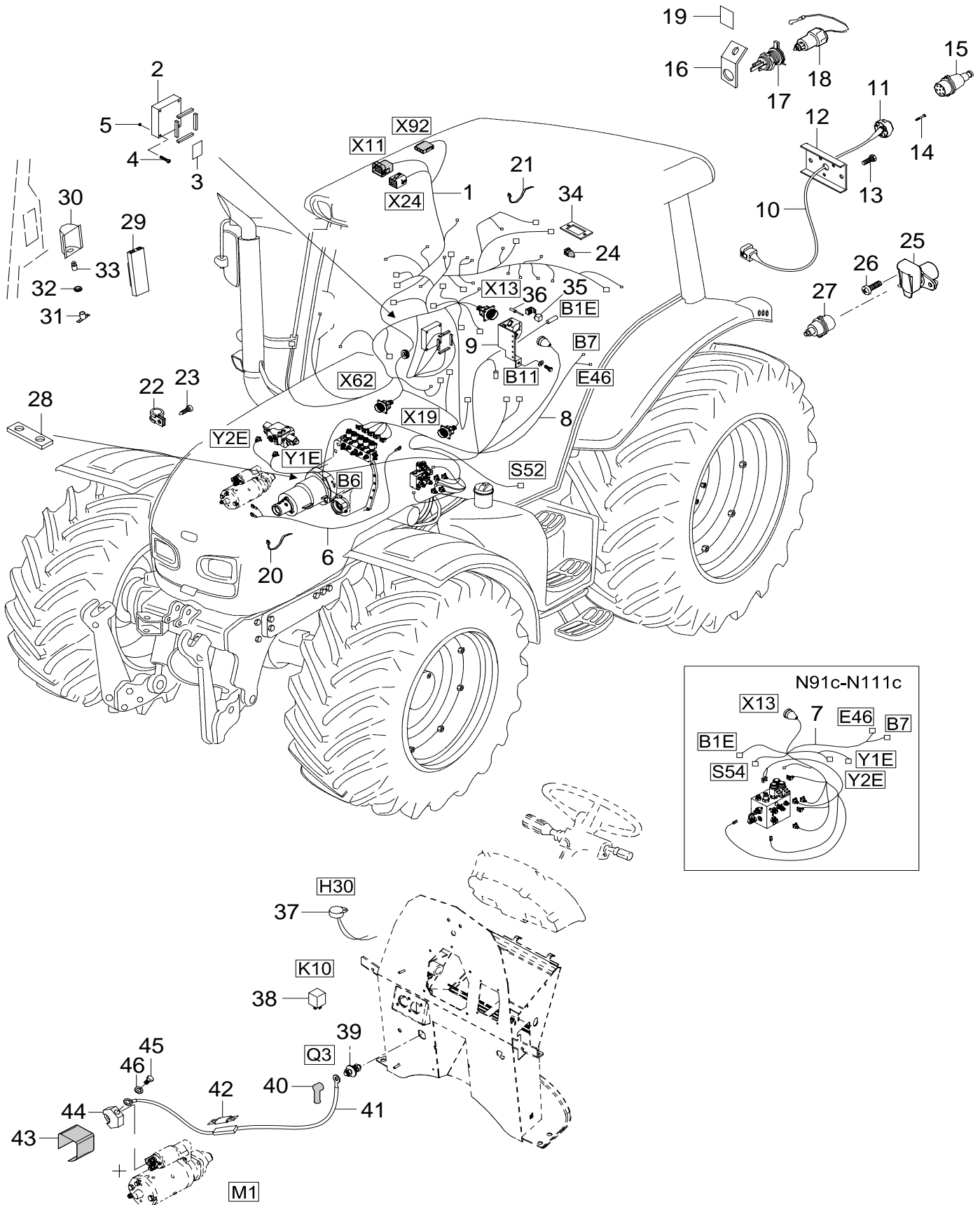
25.5.2007

N91c, N91h, N101c,
N101h, N111c, N111h,
N111eh, N121h,
N121LS, N141h, N141LS



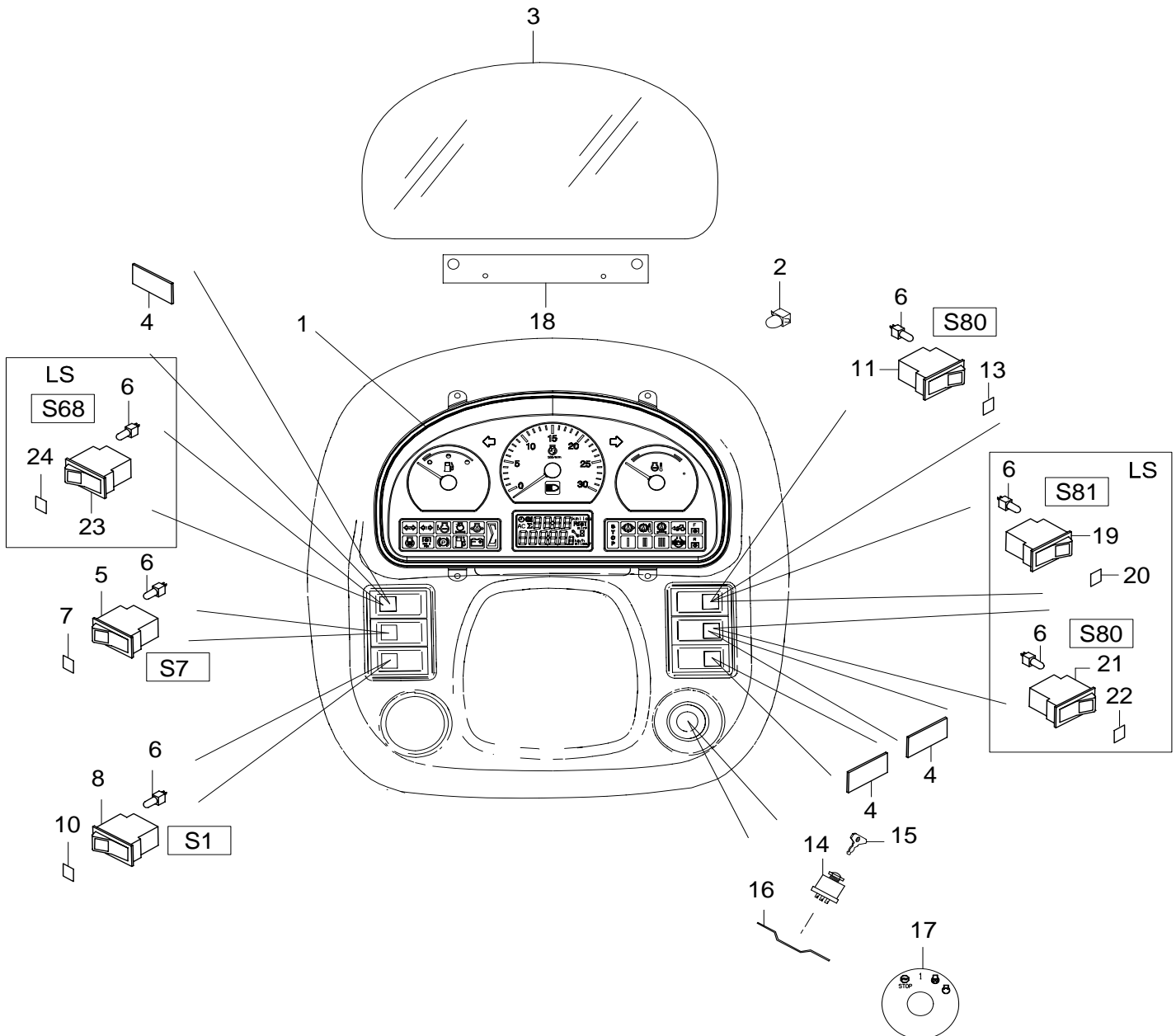
25.5.2007

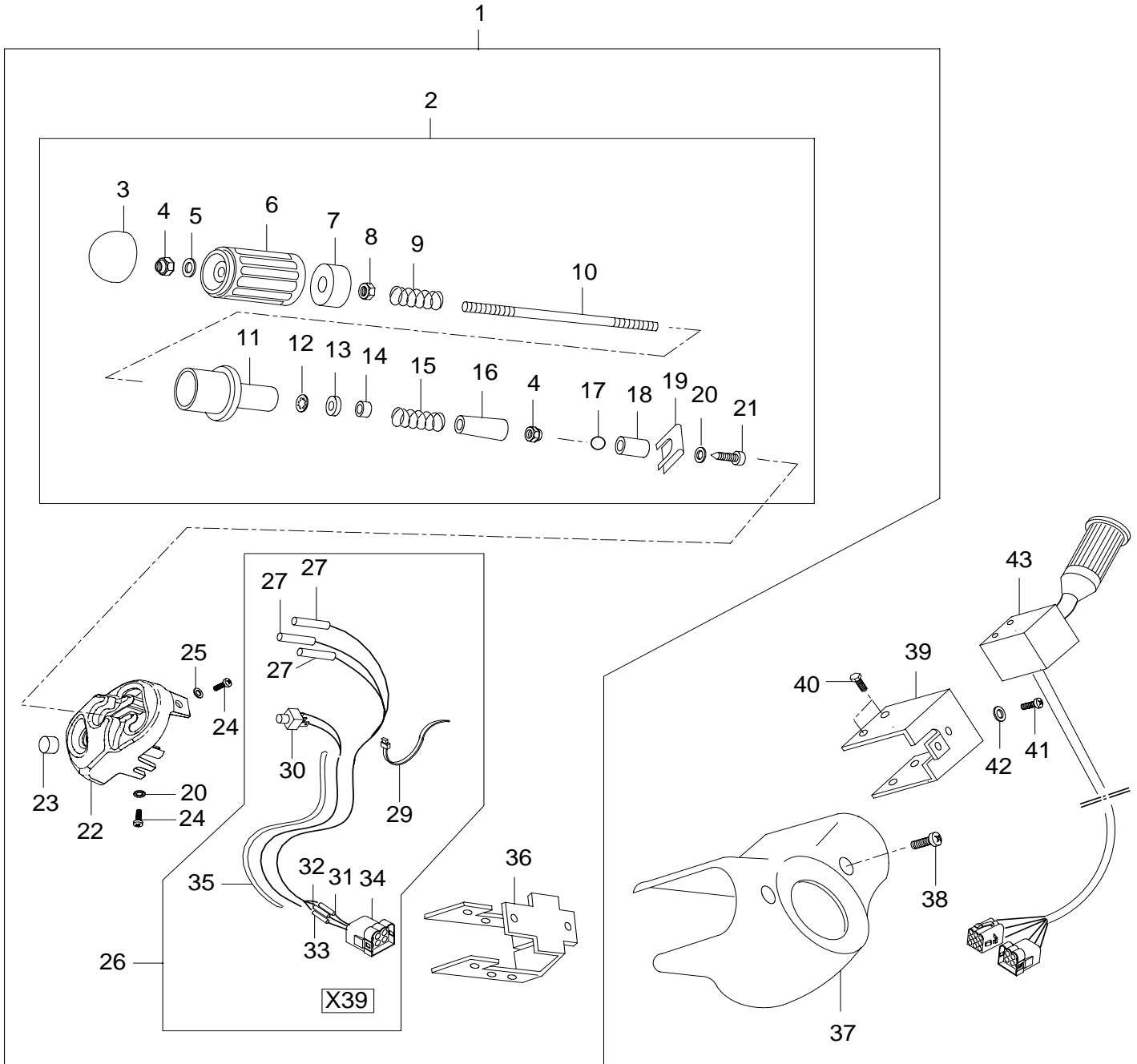
N91c, N91h, N101c,
N101h, N111c, N111h,
N111eh, N121h, N141h



25.5.2007

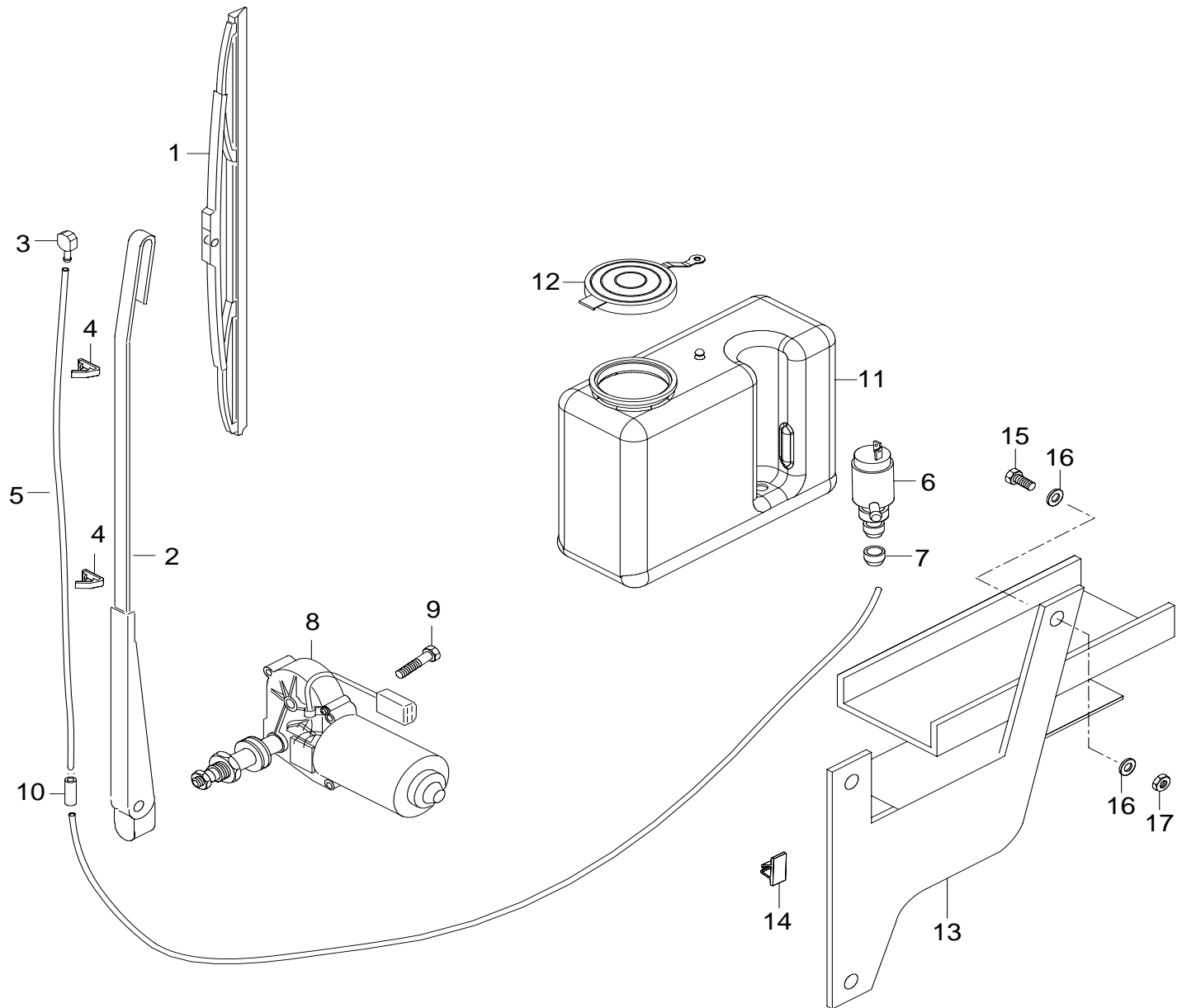
N91c, N91h, N101c,
N101h, N111c, N111h,
N111eh, N121h,
N121LS, N141h, N141LS

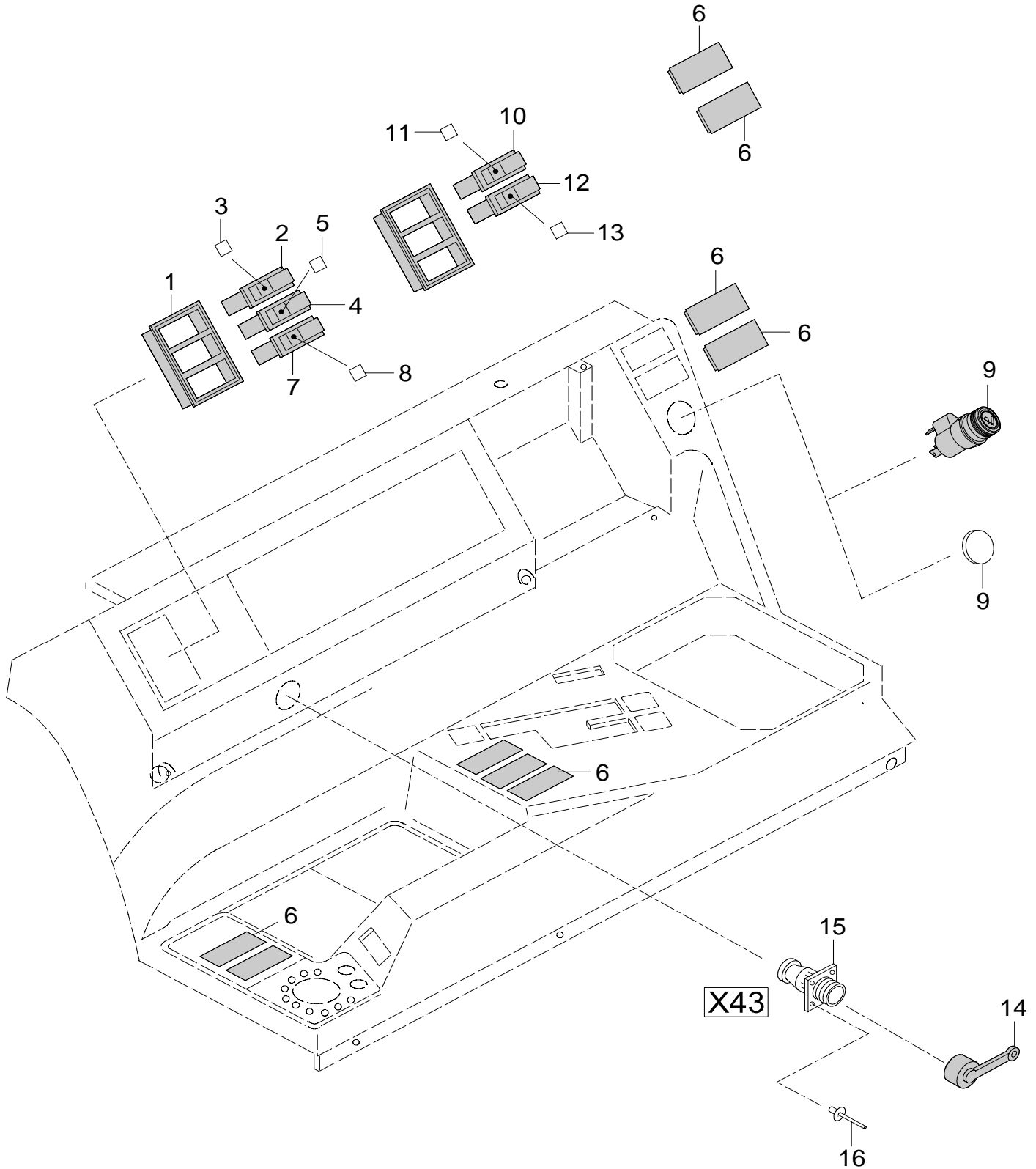


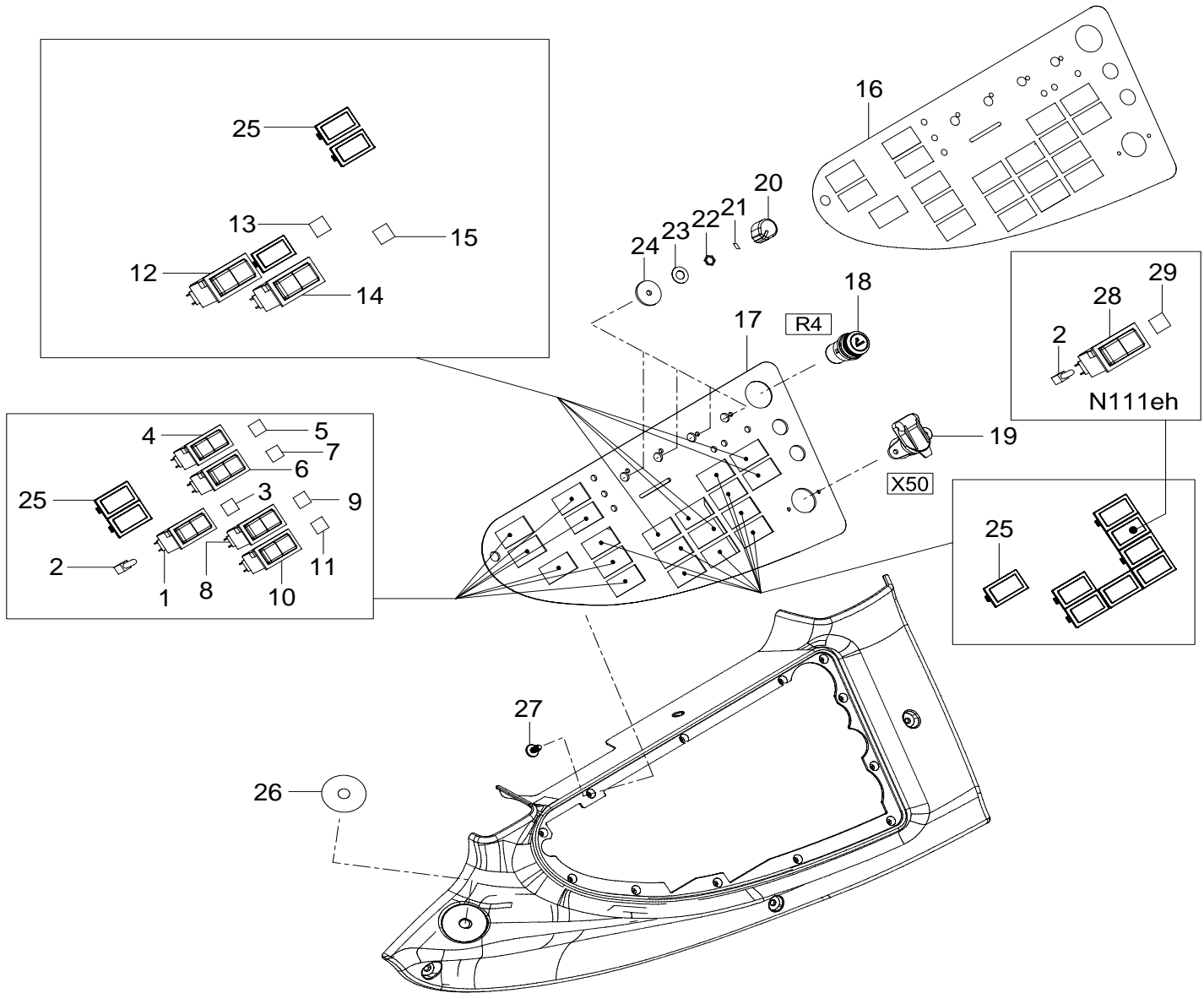


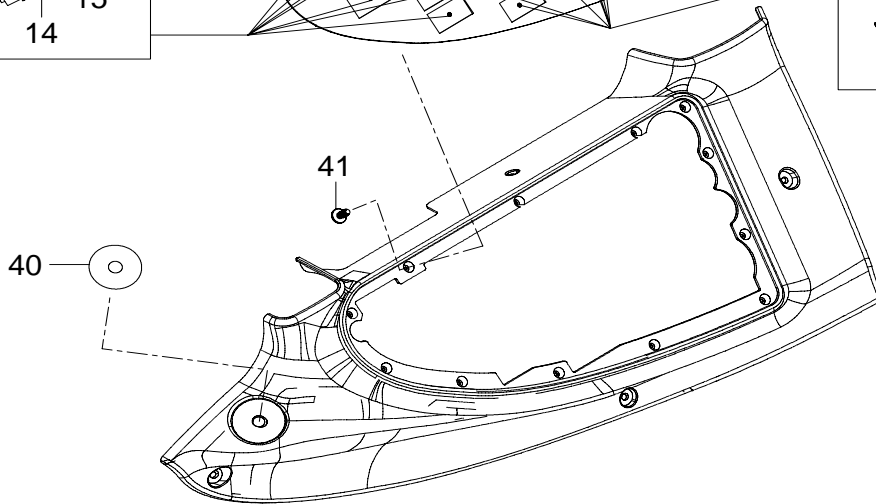
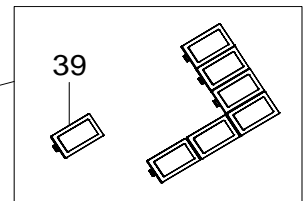
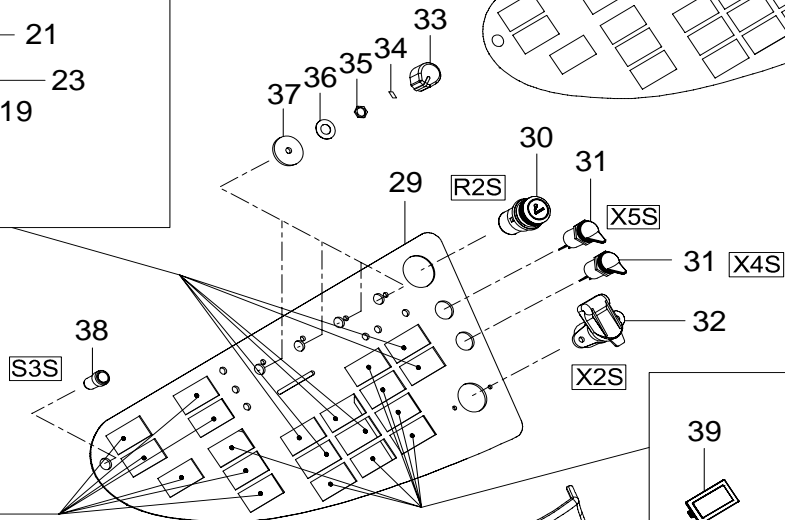
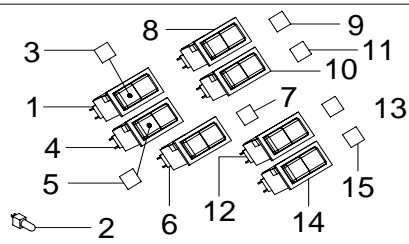
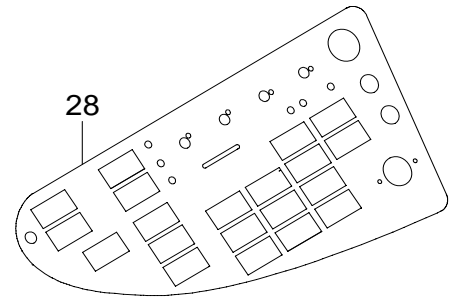
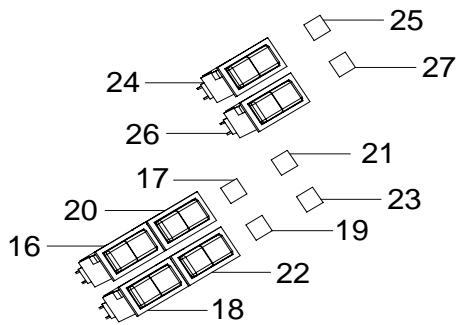
25.5.2007

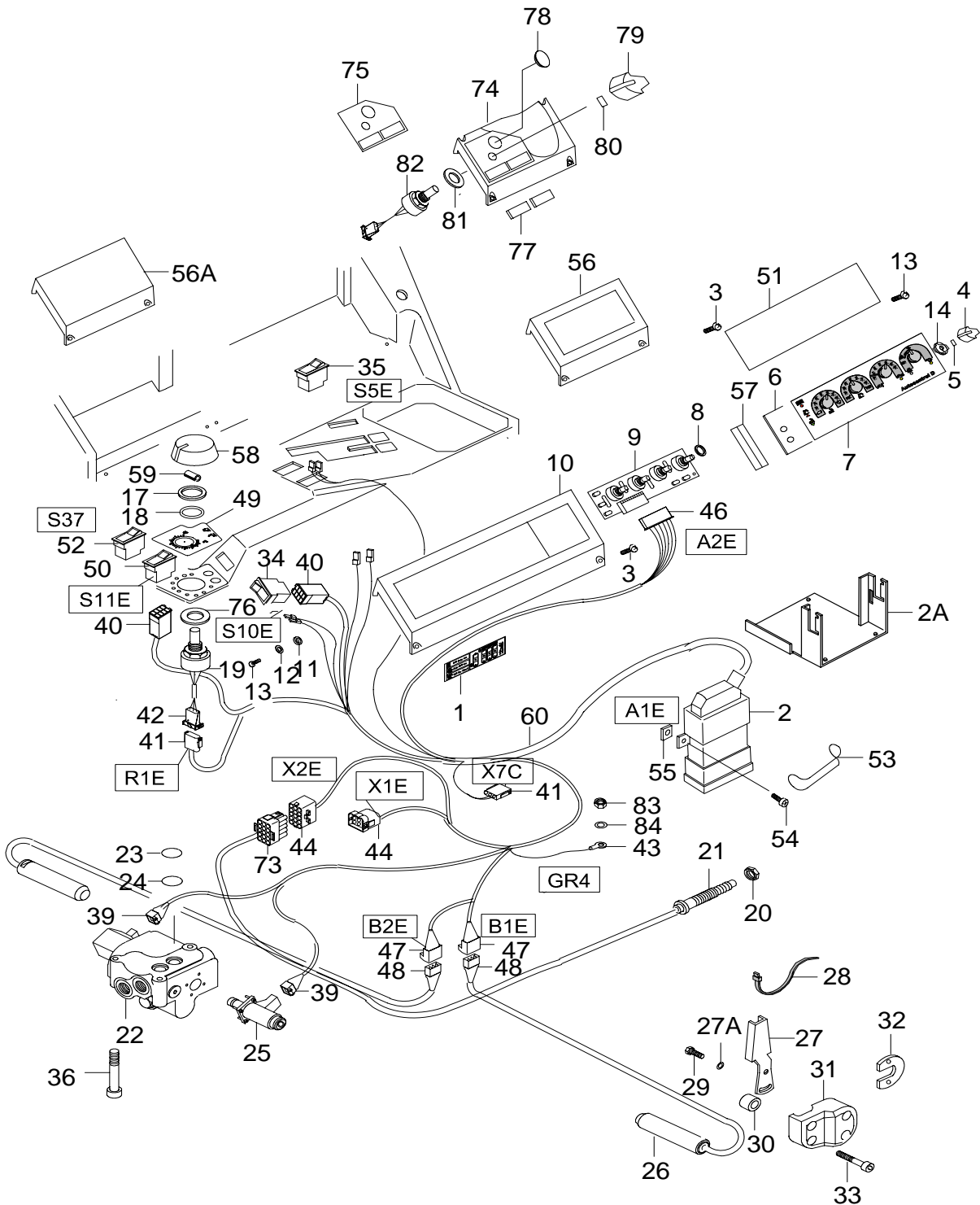
N91c, N91h, N101c,
N101h, N111c, N111h,
N111eh, N121h,
N121LS, N141h, N141LS

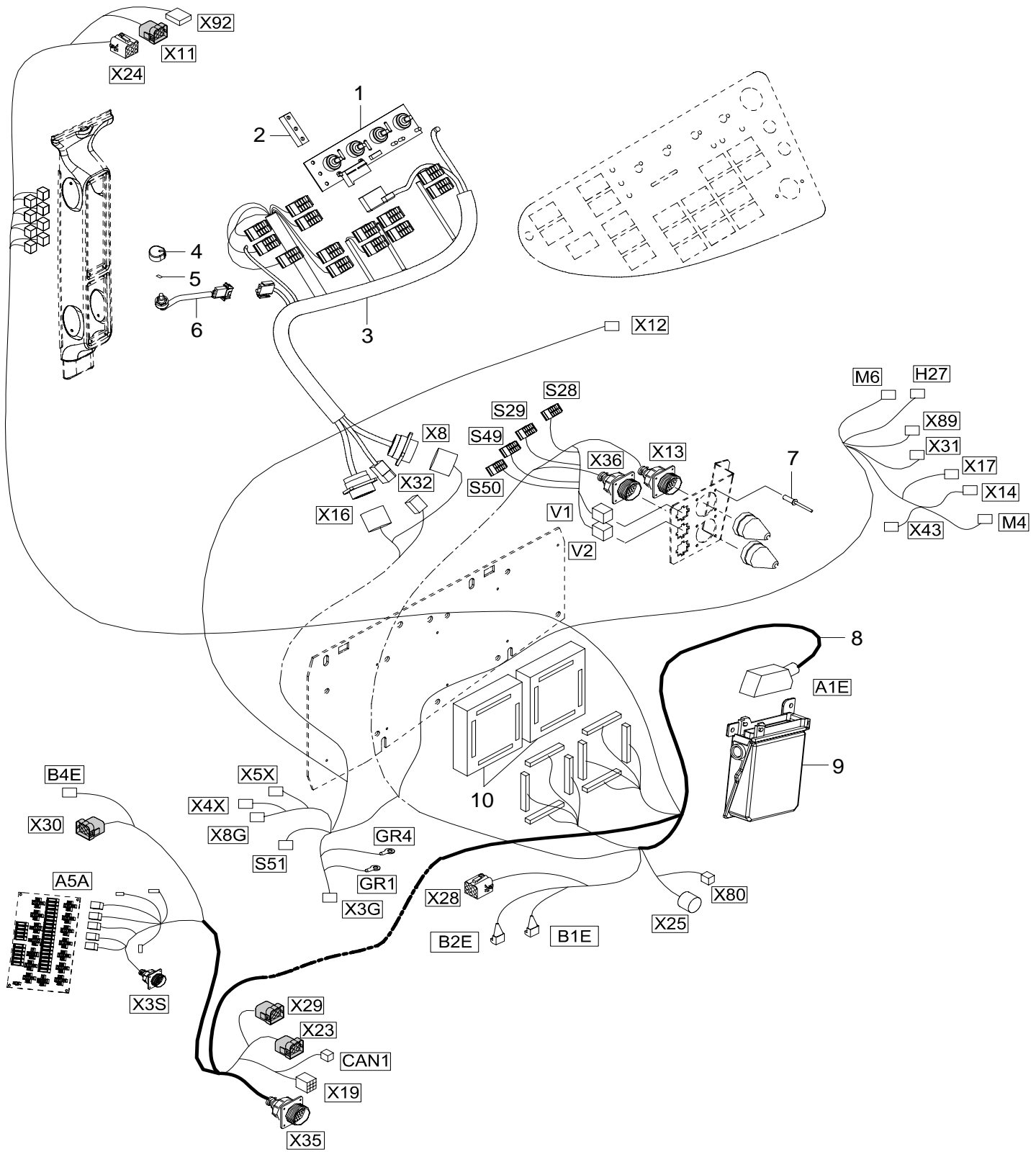


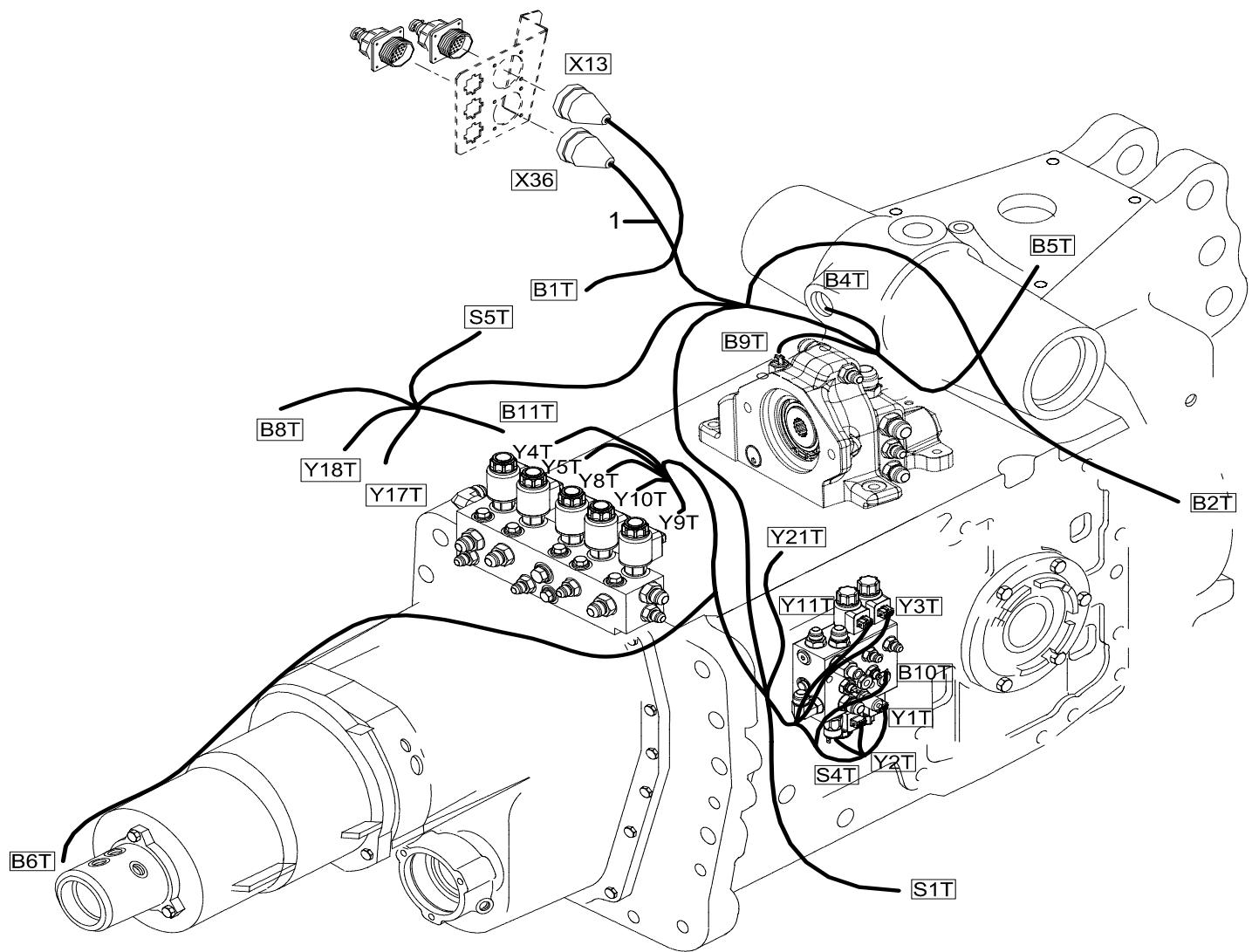






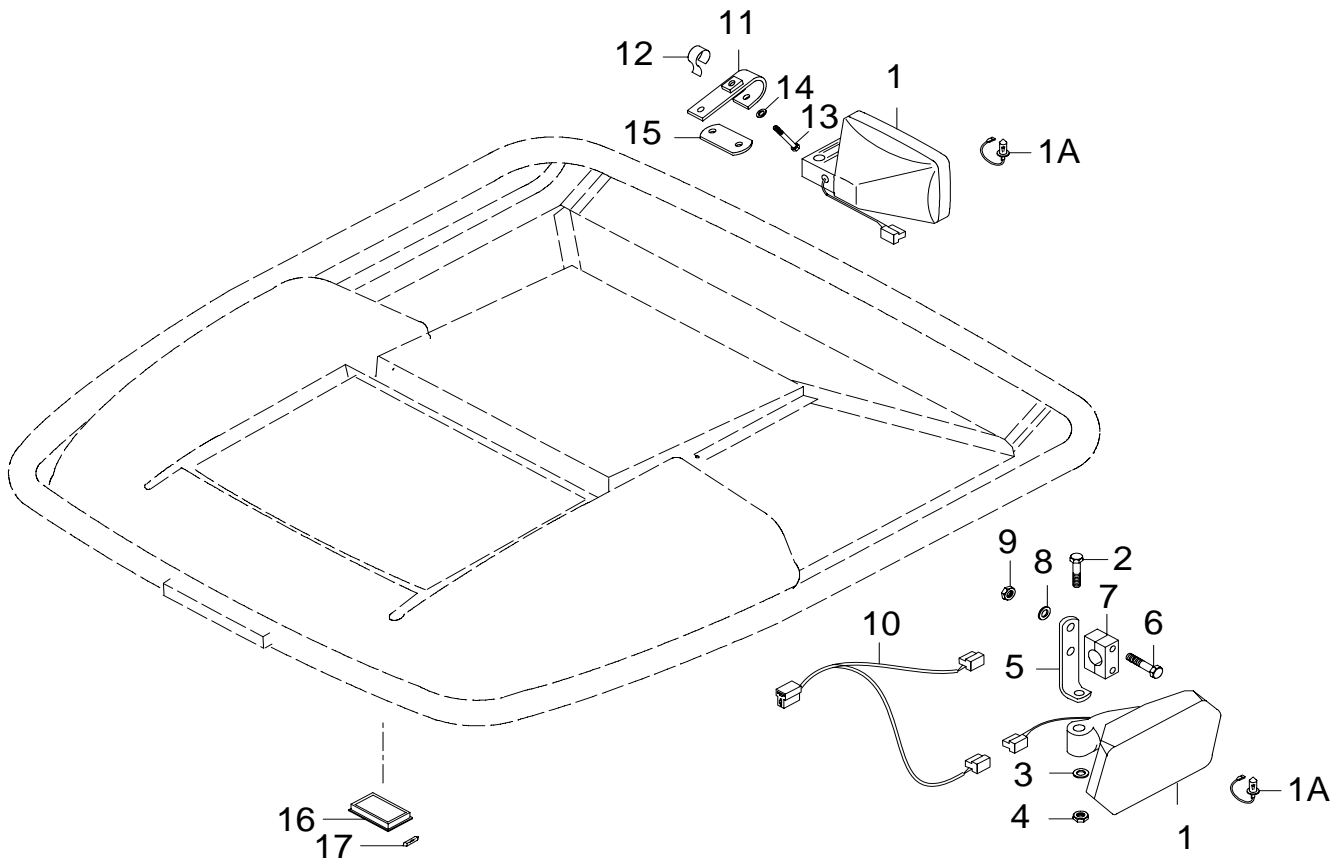


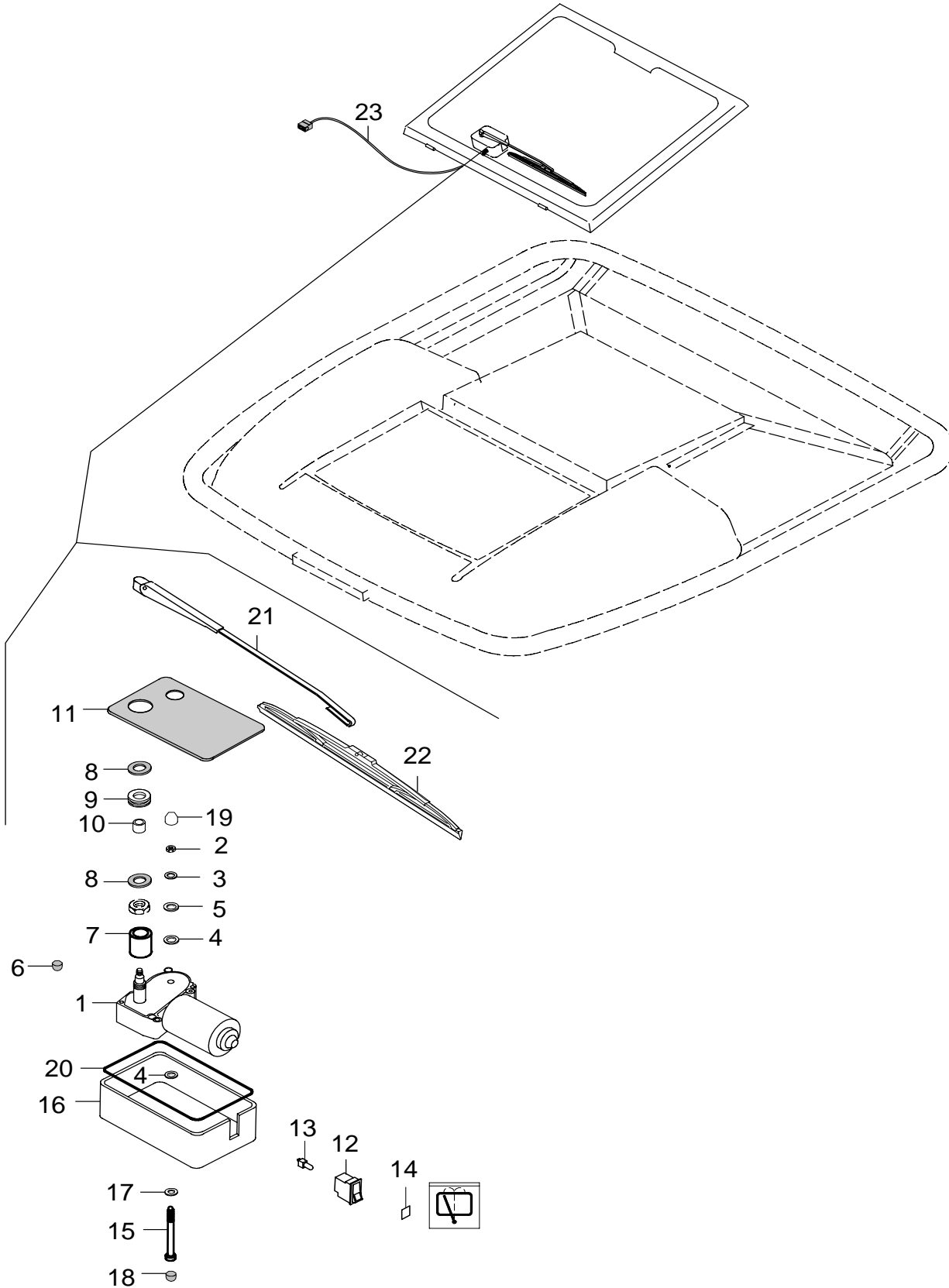


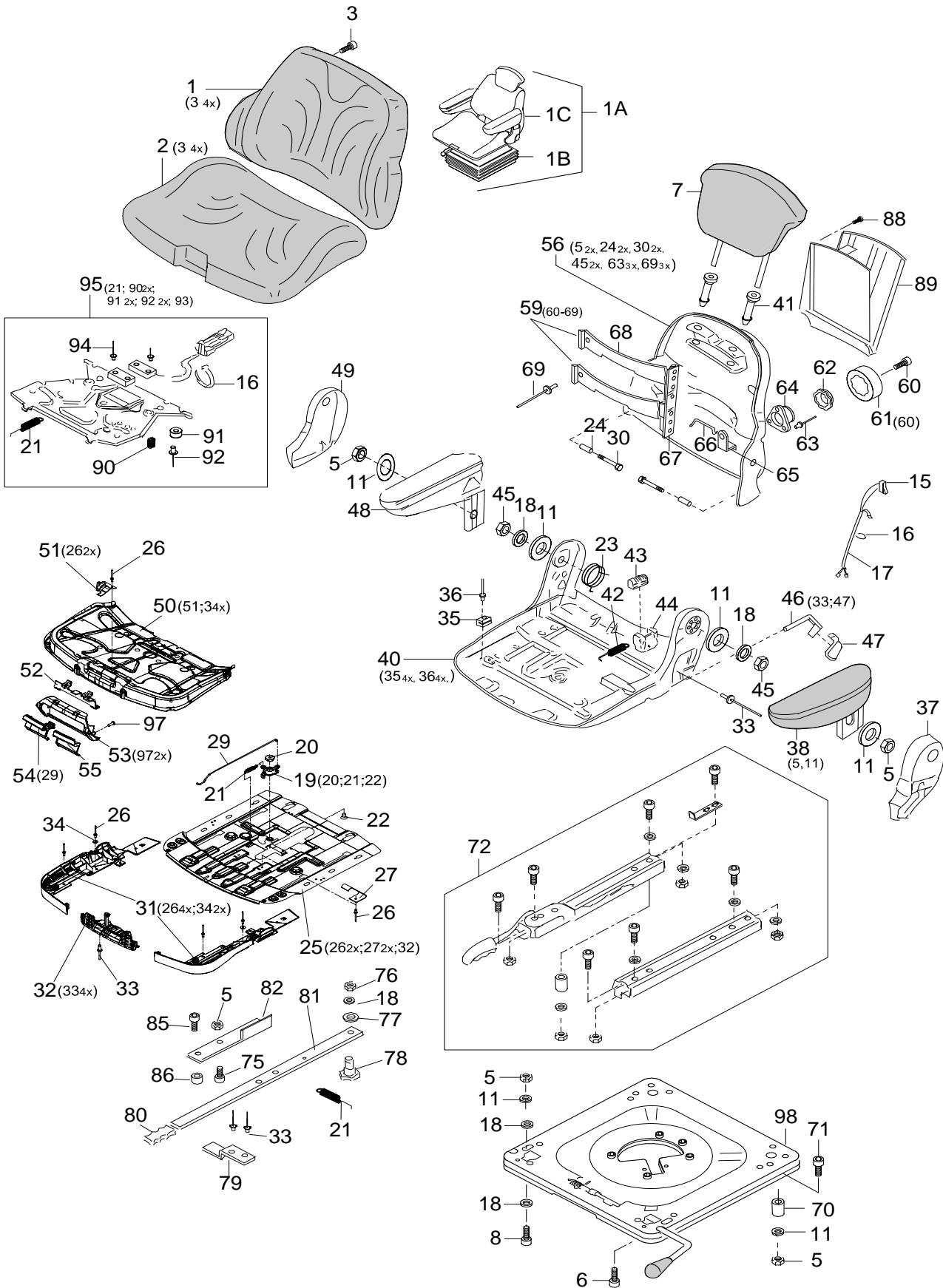


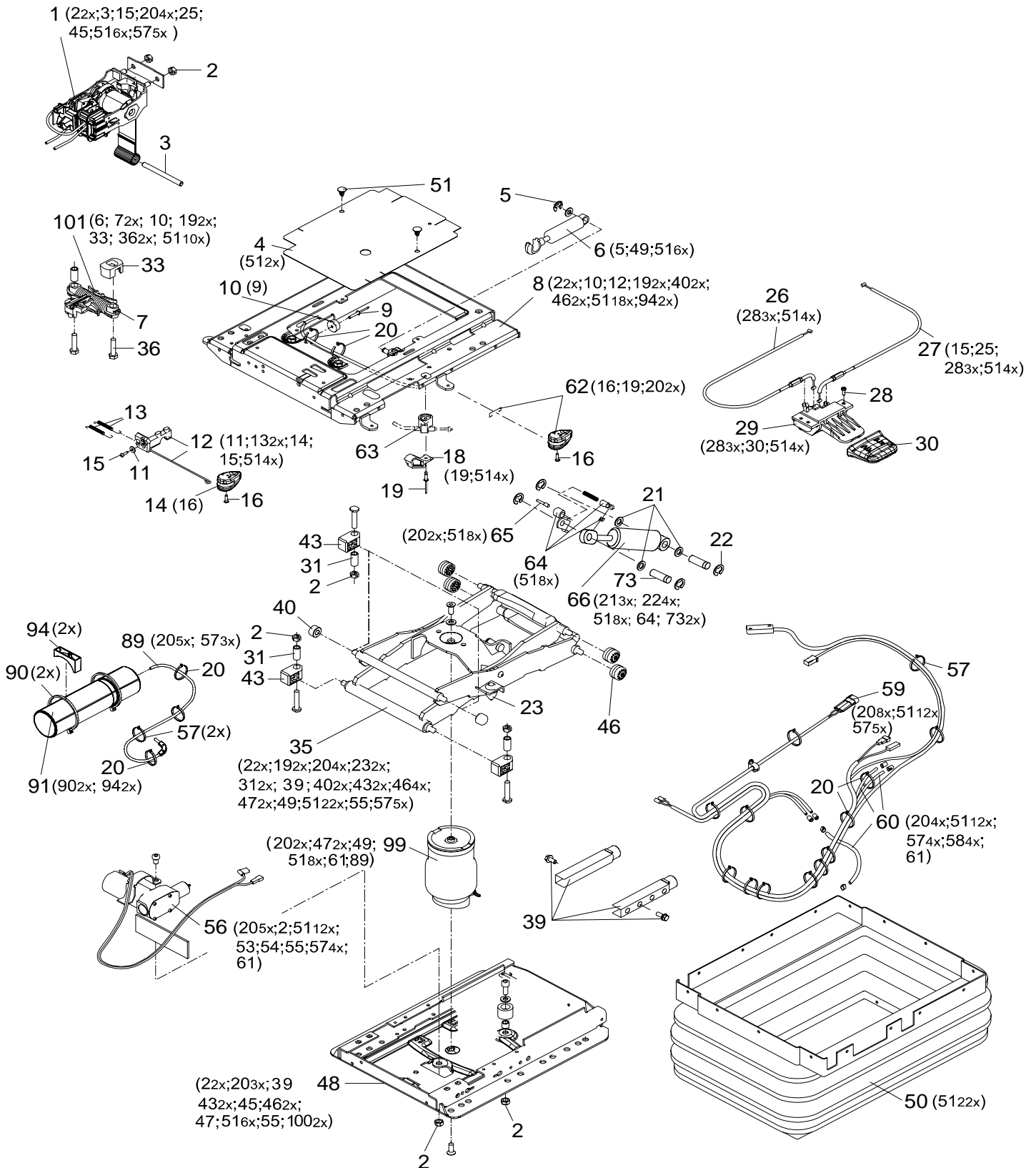
25.5.2007

N91c, N91h, N101c,
N101h, N111c, N111h,
N111eh, N121h,
N121LS, N141h, N141LS









APUTASO
(LISÄVARUSTE)

UTVIKBAR PLATTFORM
(EXTRA UTRUSTNING)

FOLD-OUT PLATFORM
(EQUIPMENT)

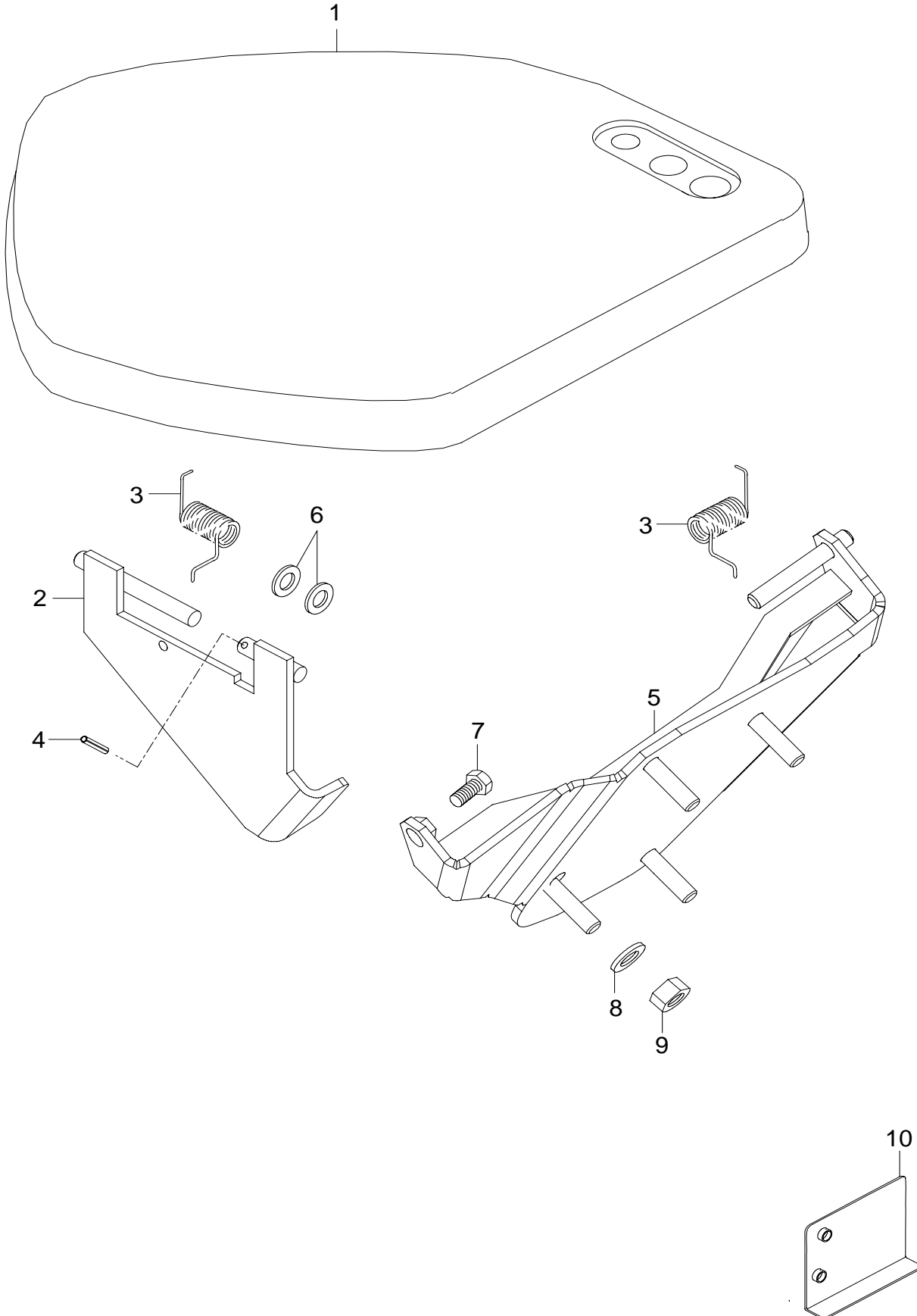
HILFSFLÄCHE
(EXTRAZUBEHÖR)

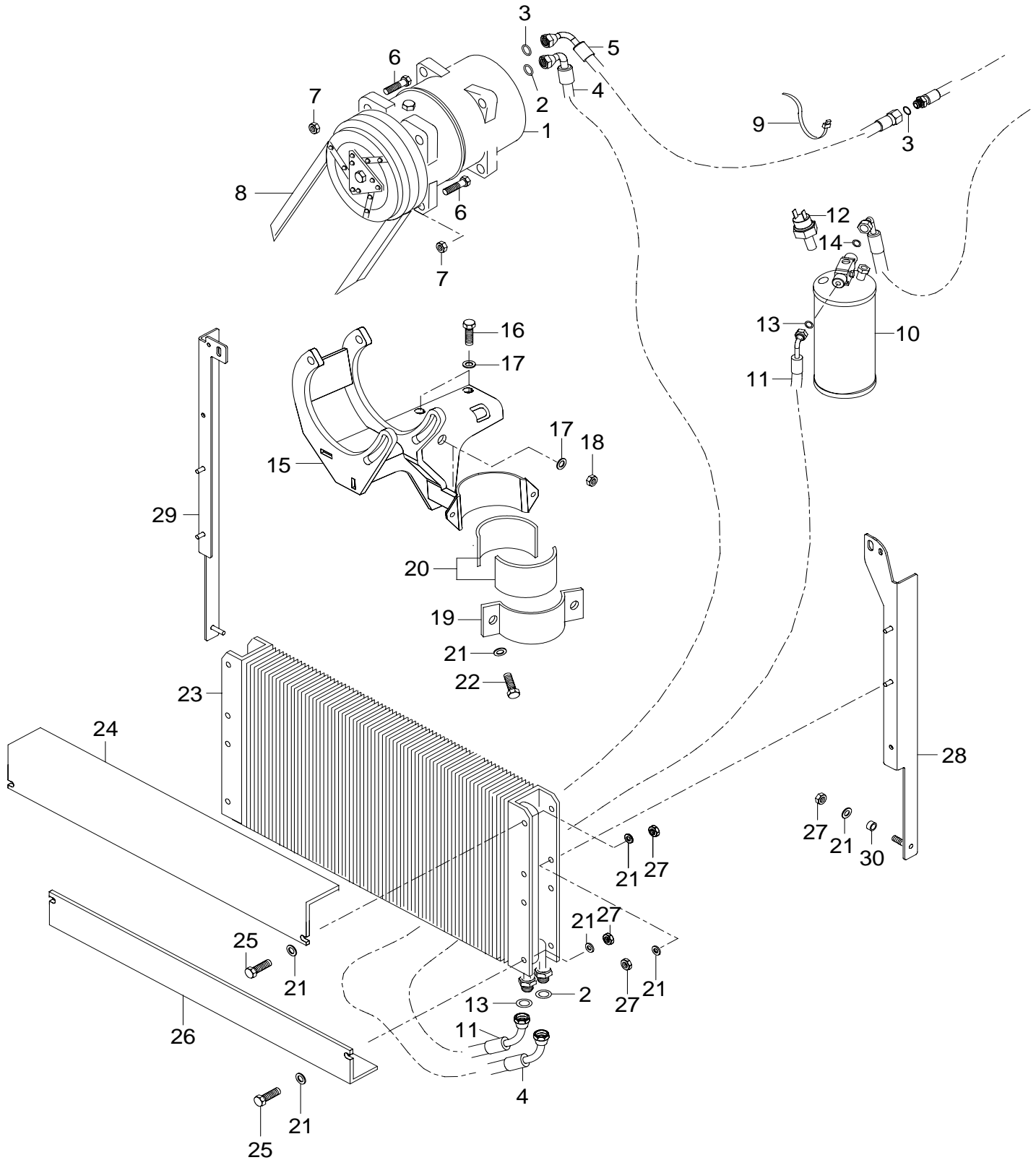
PLATEAU REPLIABLE
(EQUIPEMENT
OPTIONNEL)

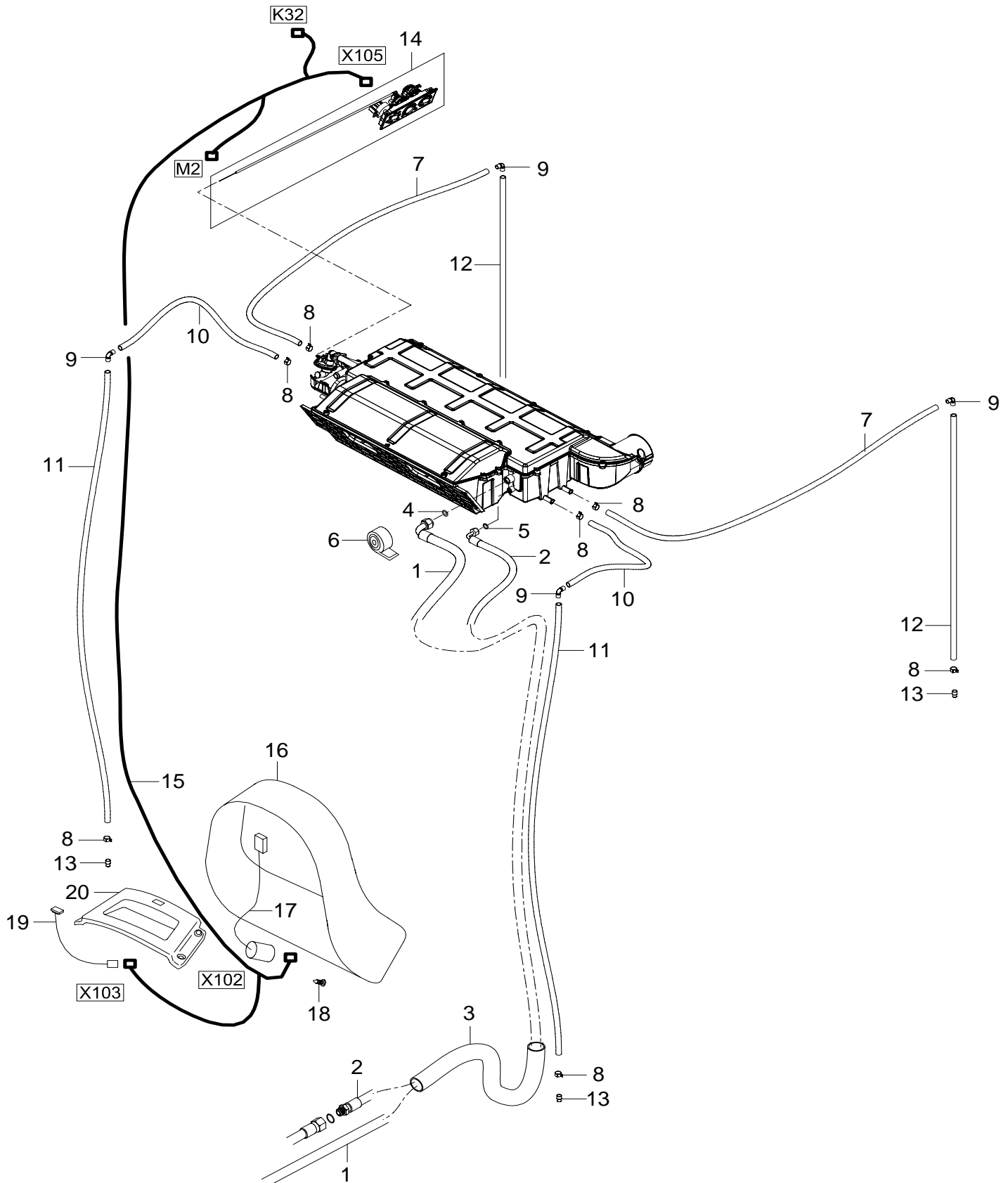
89-07

25.5.2007

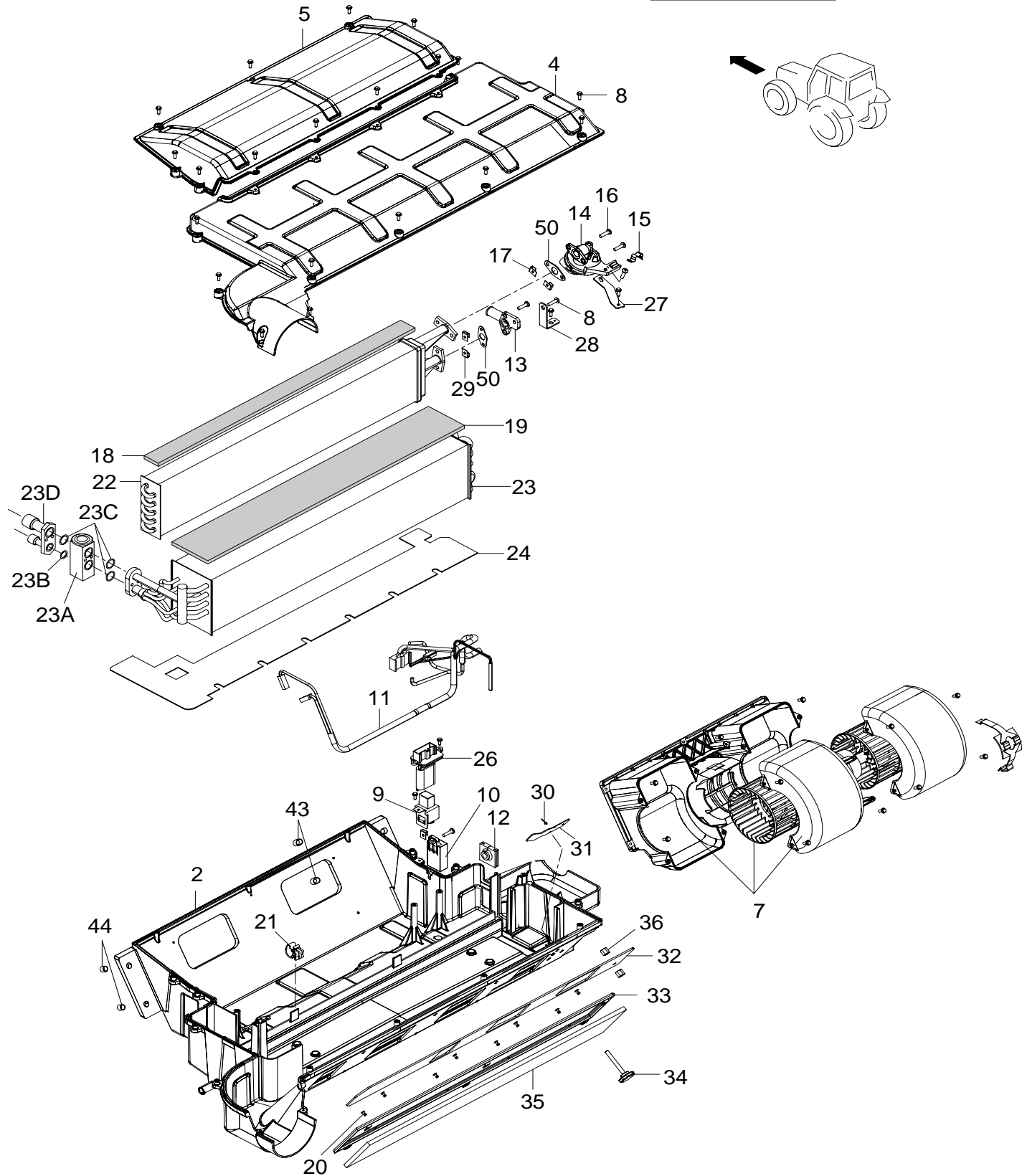
N91c, N91h, N101c,
N101h, N111c, N111h,
N111eh, N121h,
N121LS, N141h, N141LS

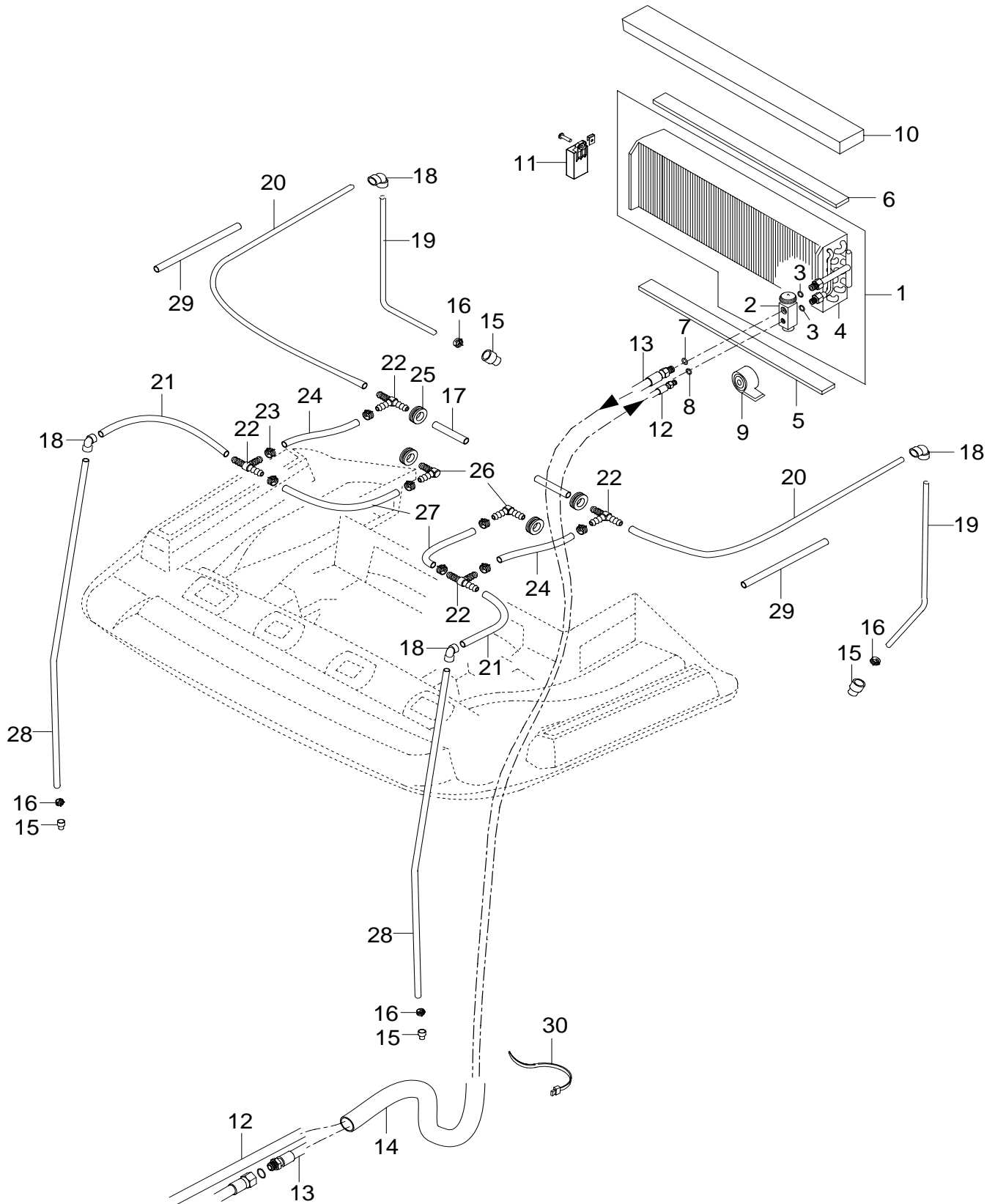






DENSO MANUAL





TURVAVYÖ
(LISÄVARUSTE)

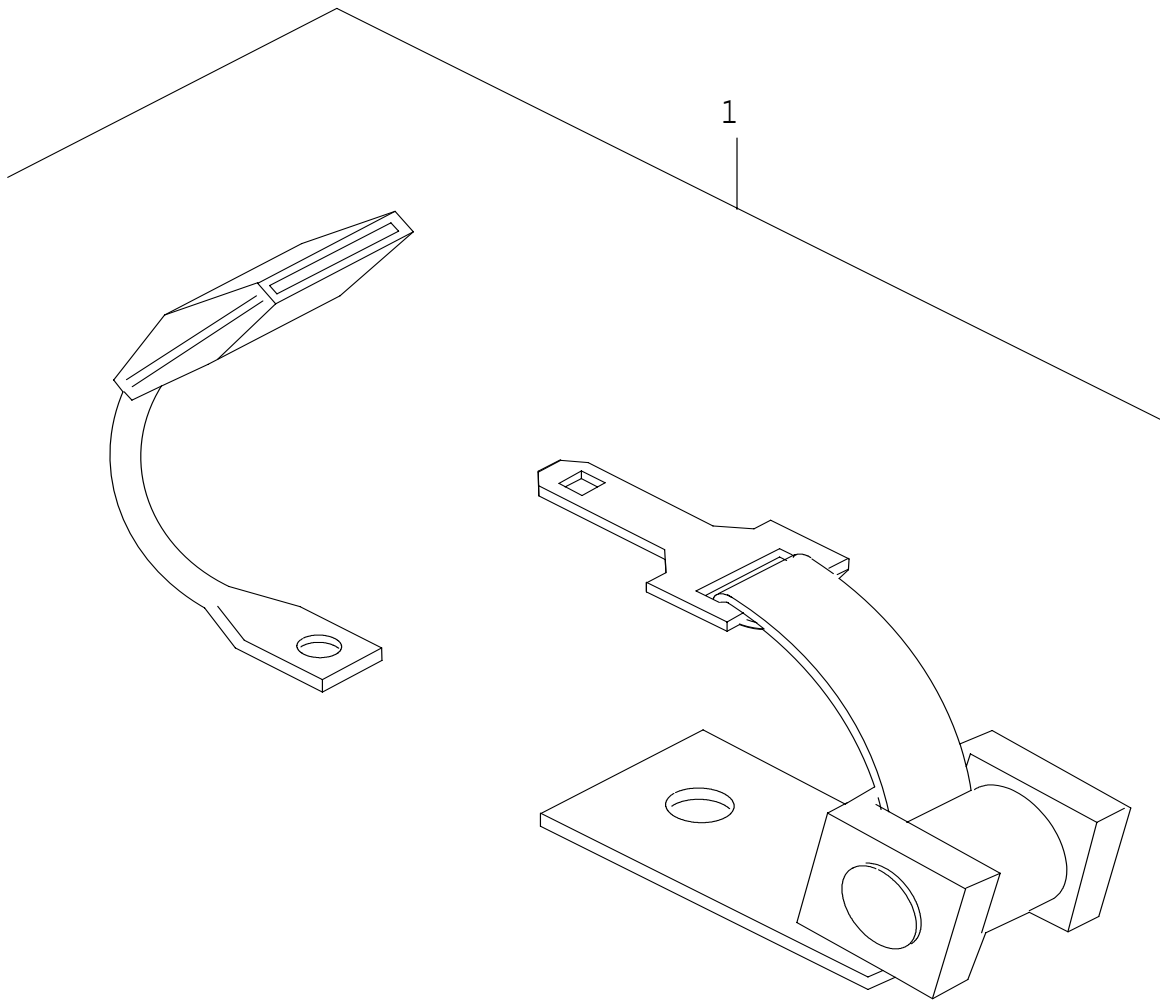
SÄKERHETSÄLÄTE
(EXTRA UTRUSTNING)

SAFETY BELT
(OPTIONAL EQUIPMENT)

SICHERHEITSGÜRTE
(EXTRAZUBEHÖR)

CEINTURE DE SECURITE
(EQUIPEMENT
OPTIONNEL)

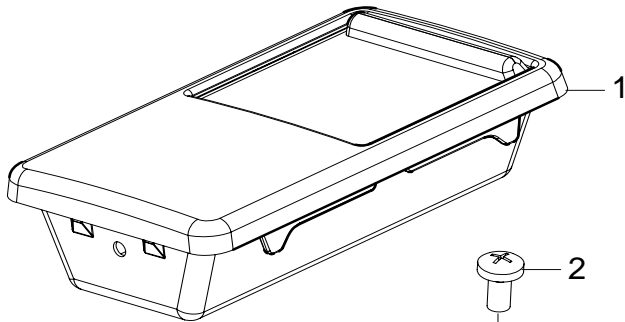
89-17
25.5.2007
N91c, N91h, N101c,
N101h, N111c, N111h,
N111eh, N121h,
N121LS, N141h, N141LS



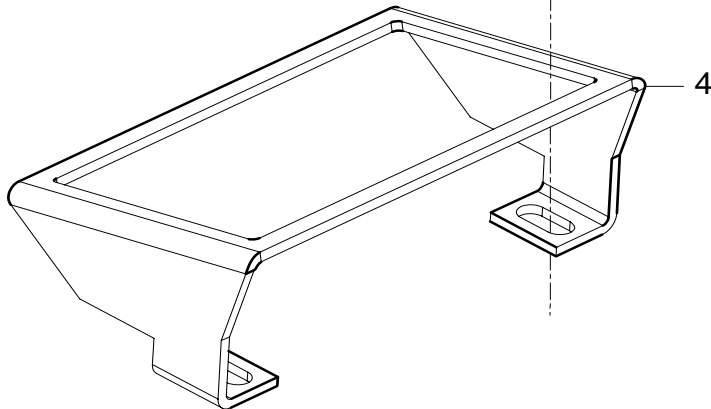
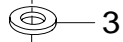
TUHKAKUPPI
(LISÄVARUSTE)ASKKOPP (EXTRA
UTRUSTNING)ASHTRAY (OPTIONAL
EQUIPMENT)ASCHER
(EXTRAZUBEHÖR)CENDRIER ET ALLUME-
CIGARES (EQUIPEMENT
OPTIONNEL)

89-19

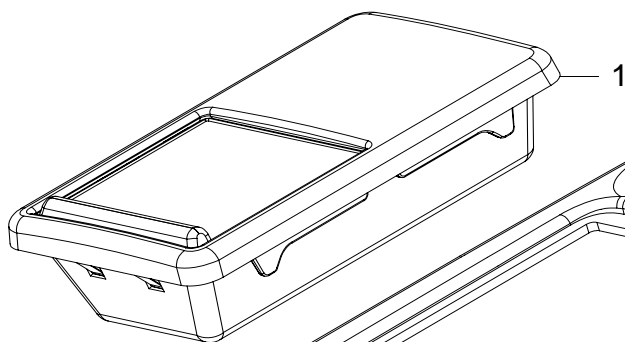
25.5.2007

N91c, N91h, N101c,
N101h, N111c, N111h,
N111eh, N121h,
N121LS, N141h, N141LS

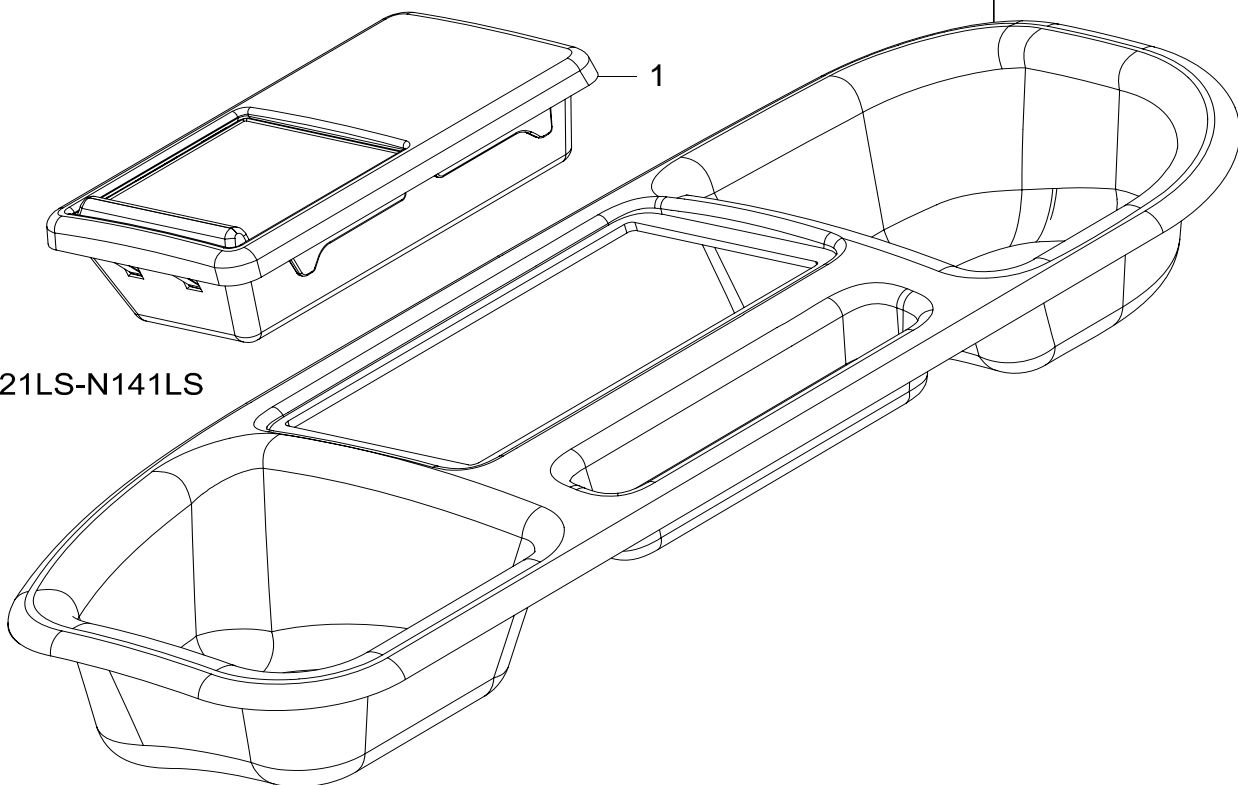
N91c-N141h



5



N121LS-N141LS





KATTO
KATTOLUUKULLA
(LISÄVARUSTE)

TAK MED TAKLUCKA
(EXTRA UTRUSTNING)

ROOF WITH TRAPDOOR
(OPTIONAL EQUIPMENT)

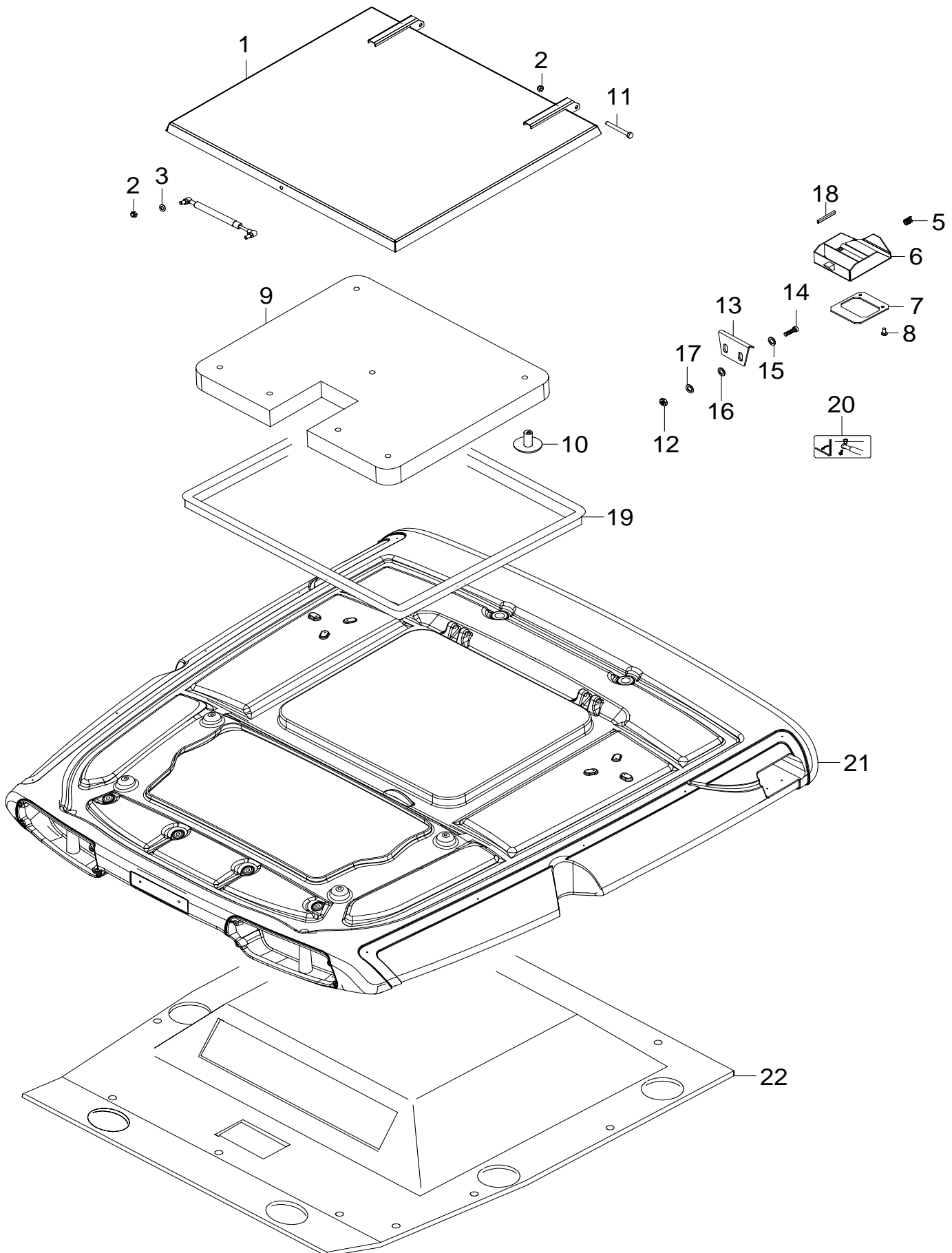
DACH MIT
SCHIEBEDACH
(EXTRAZUBEHÖR)

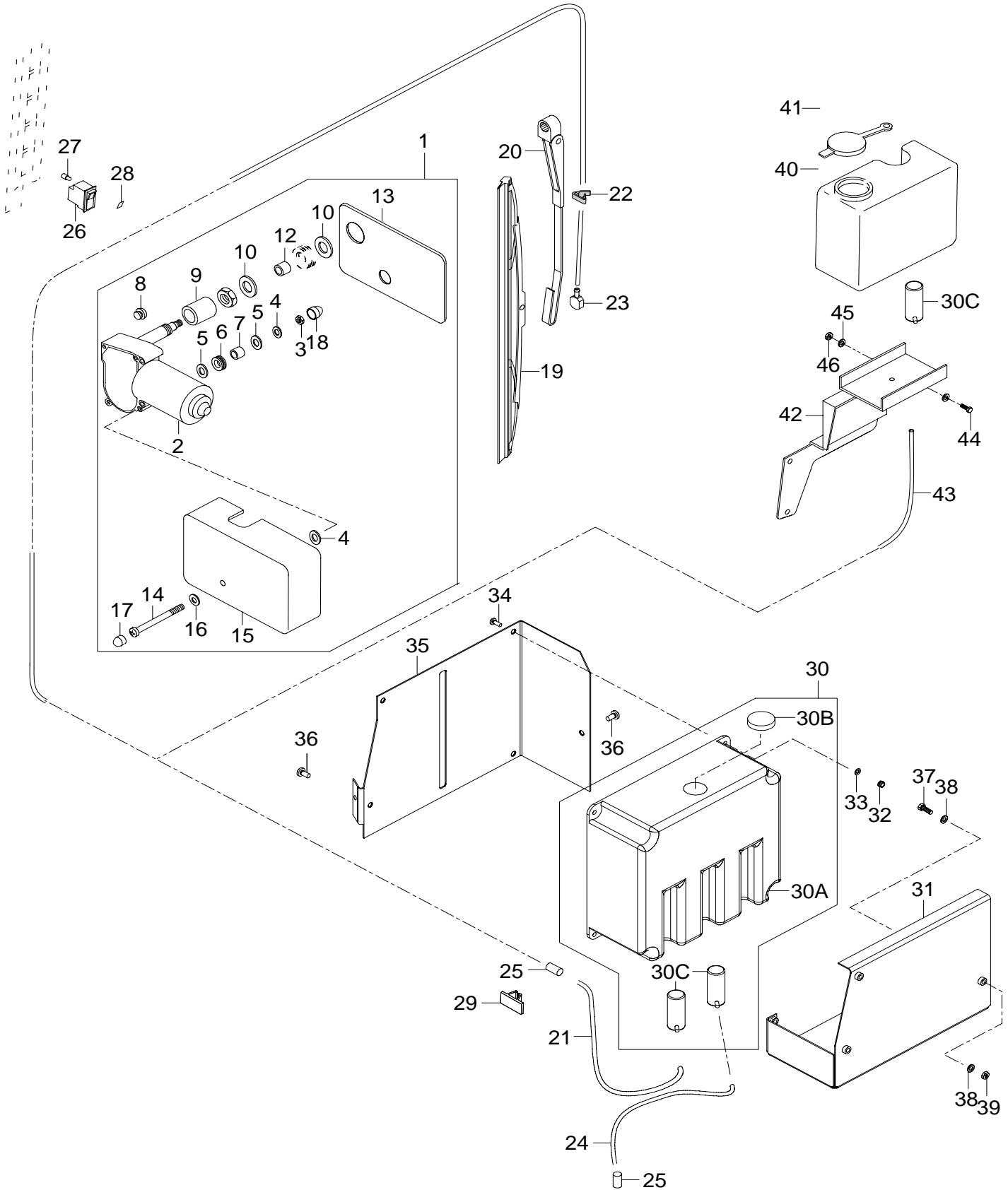
TOIT AVEC TRAPPE
(EQUIPEMENT
OPTIONNEL)

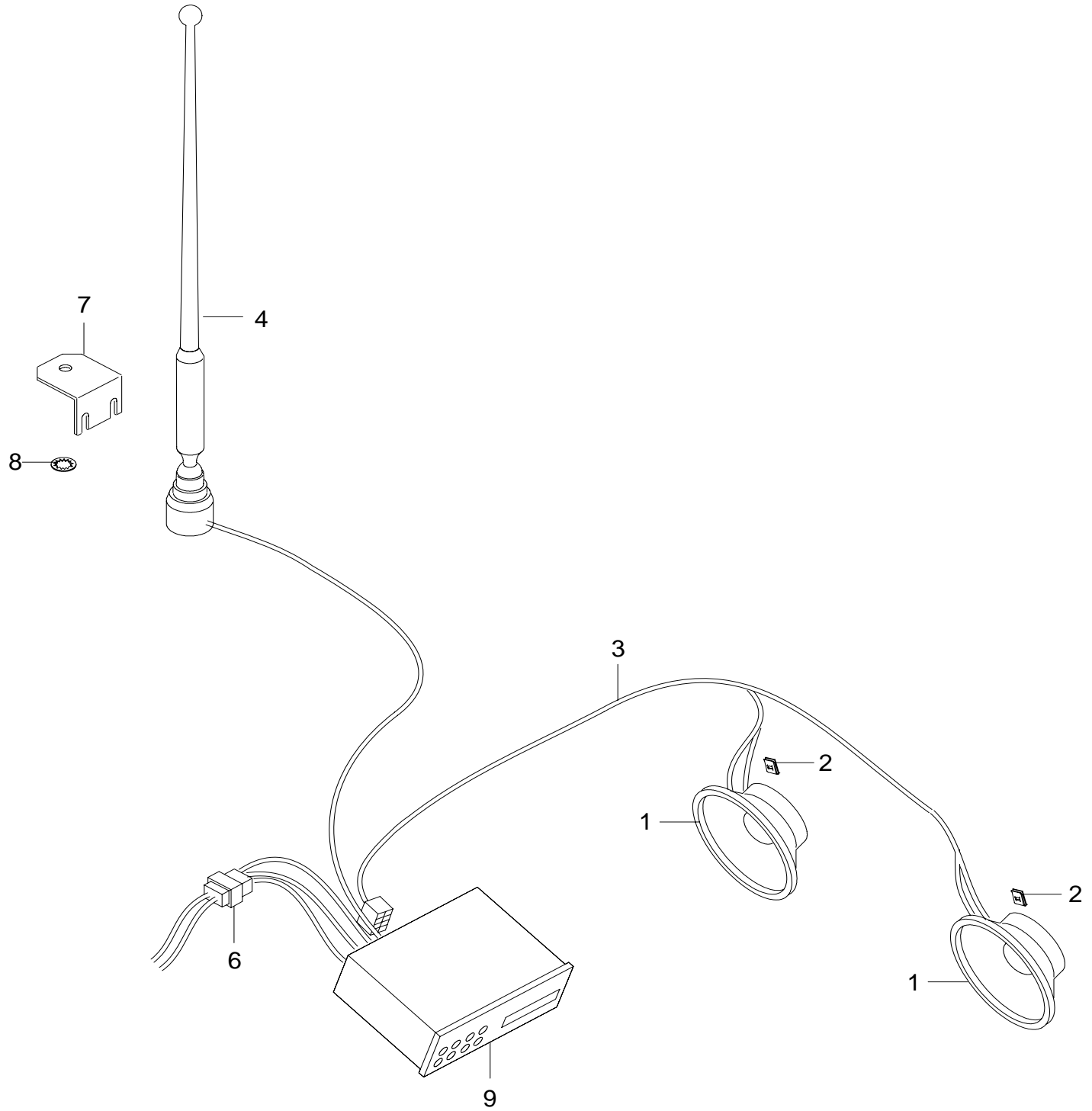
89-21

25.5.2007

N91c, N91h, N101c,
N101h, N111c, N111h,
N111eh, N121h,
N121LS, N141h, N141LS







SUUNNANVAIHTO-VIPU
JA KOMBIKYTKIN
(LISÄVARUSTE)

FRAM-BACKVÄXELSPAK
OCH KOMBI-
STRÖMSTÄLLARE
(EXTRA UTRUSTNING)

F-R SHUTTLE LEVER
AND COMBINED SWITCH
(OPTIONAL EQUIPMENT)

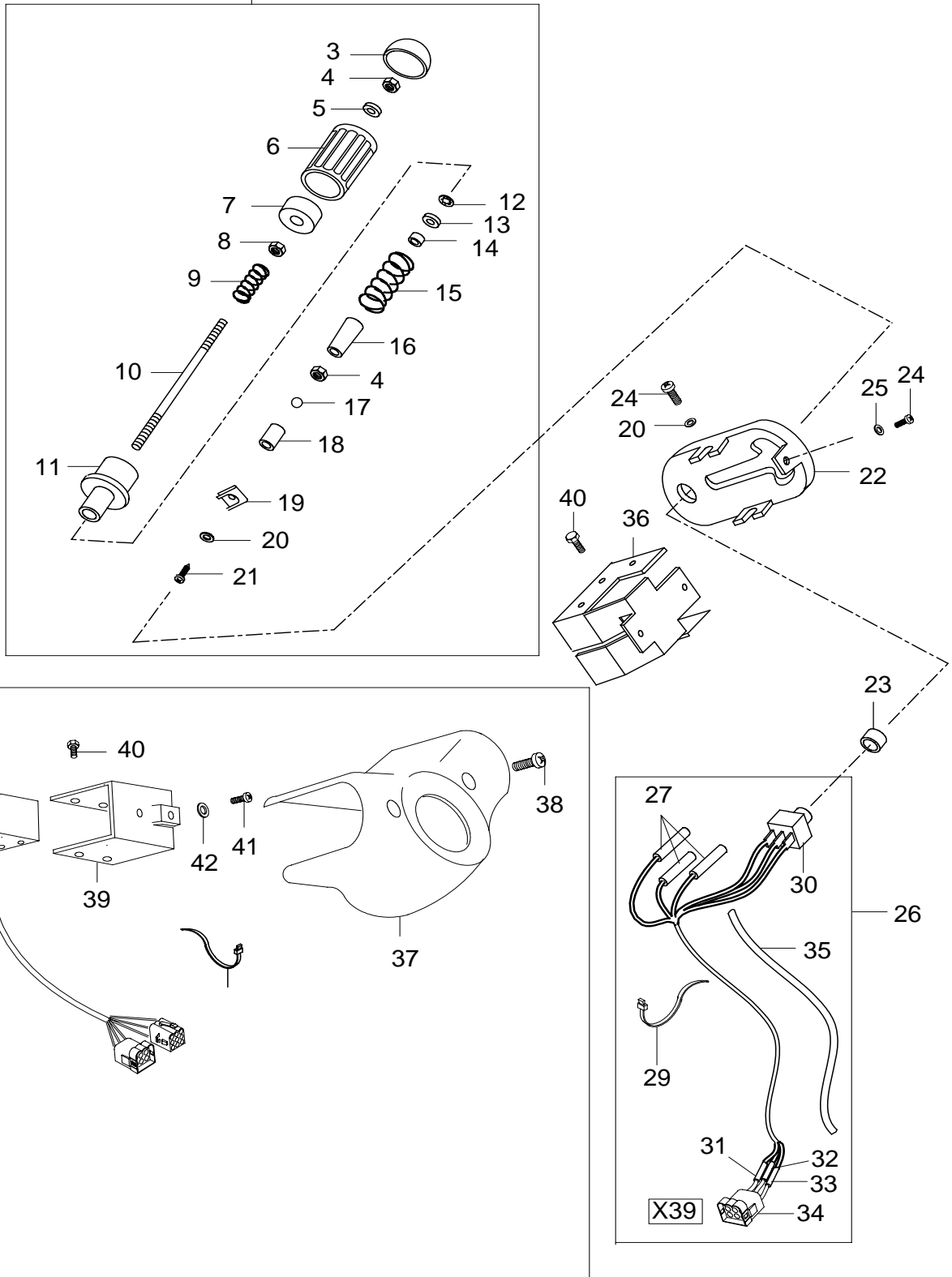
WENDEGETRIEBE-
HEBEL UND COMBI
SCHALTER
(EXTRAZUBEHÖR)

LEVIER D'INVERSEUR ET
INTERRUPTEUR
COMBINÉ (EQUIPEMENT
OPTIONNEL)

89-29
25.5.2007
N91h, N101h, N111h,
N111eh, N121h, N141h,
N121LS, N141LS

1

2



PÄÄVIRTAKYTKIN,
SÄHKÖOHJATTU
(LISÄVARUSTE)

HUVUD
STRÖMBRYTARE,
ELEKTRISK (EXTRA
UTRUSTNING)

MAIN SWITCH,
ELECTRIC (OPTIONAL
EQUIPMENT)

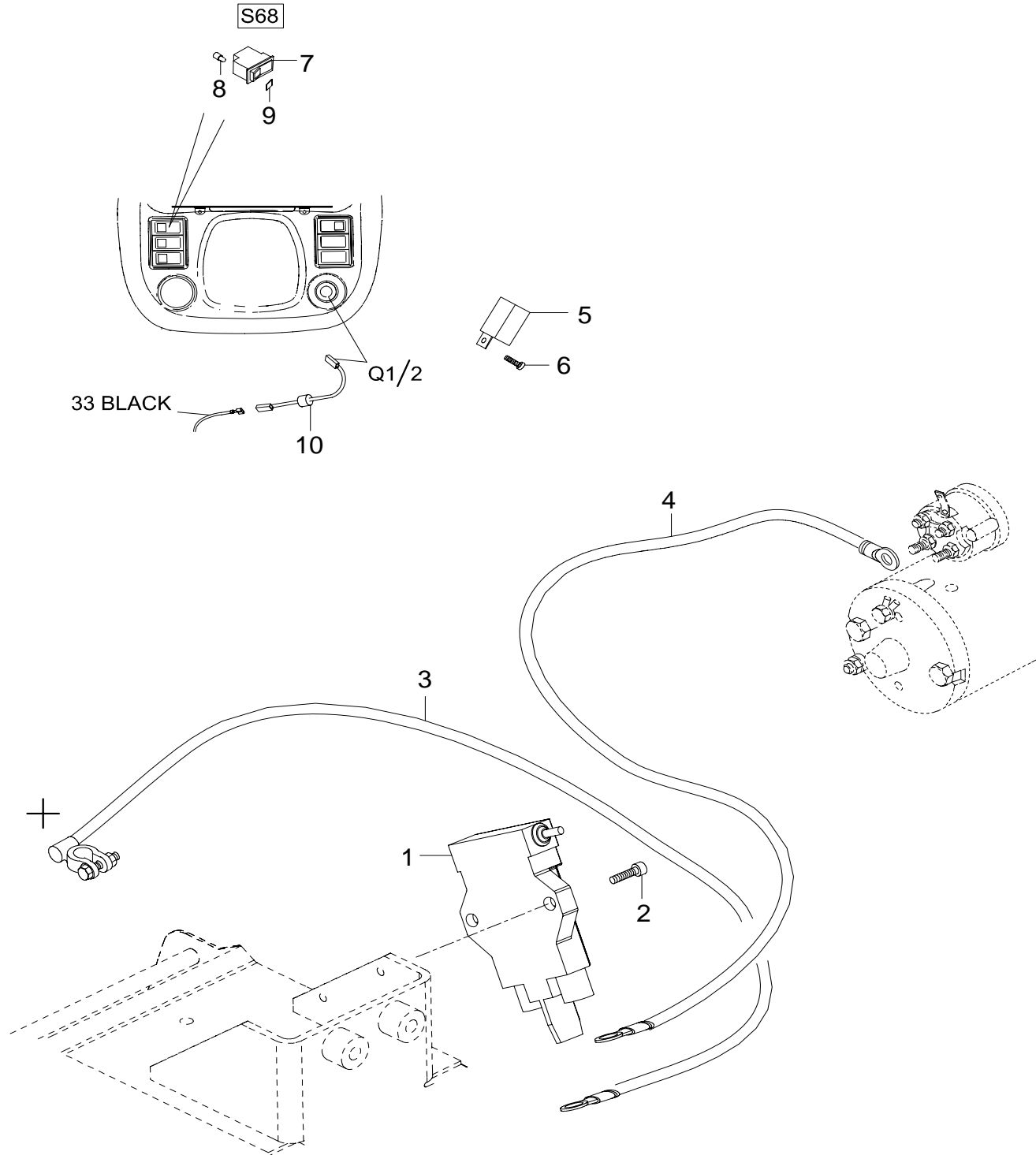
HAUPTSTROMSCHALTE
R, ELEKTRISCH
(EXTRAZUBEHÖR)

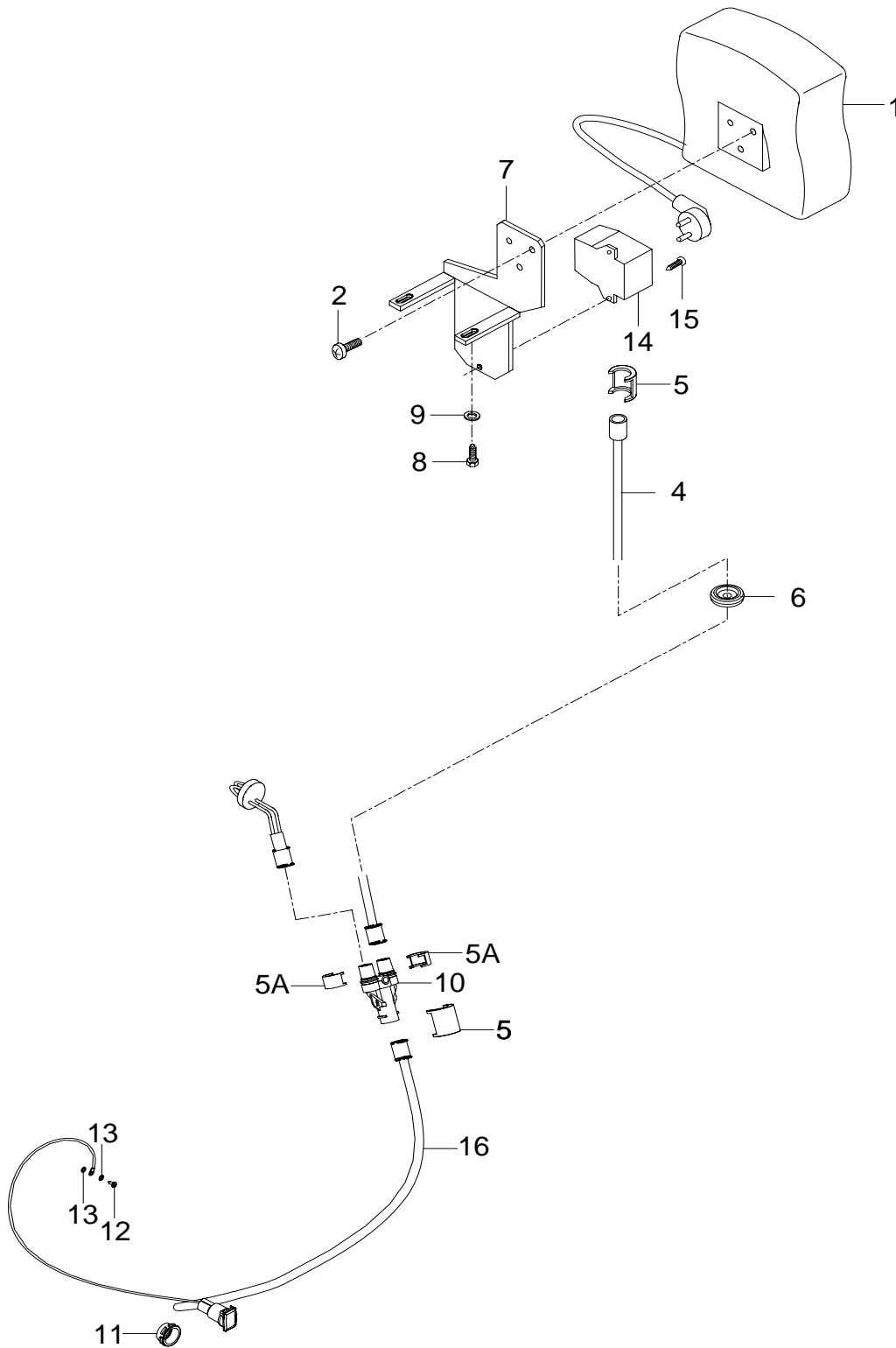
INTERRUPTEUR
PRINCIPAL,
ÉLECTRIQUE
(EQUIPEMENT
OPTIONNEL)

89-31

25.5.2007

N91c, N91h, N101c,
N101h, N111c, N111h,
N111eh, N121h,
N121LS, N141h, N141LS





KATTOVILKKU
(LISÄVARUSTE)

ROTERANDE VARN.LJUS ROTATING LIGHT
(EXTRA UTRUSTNING)

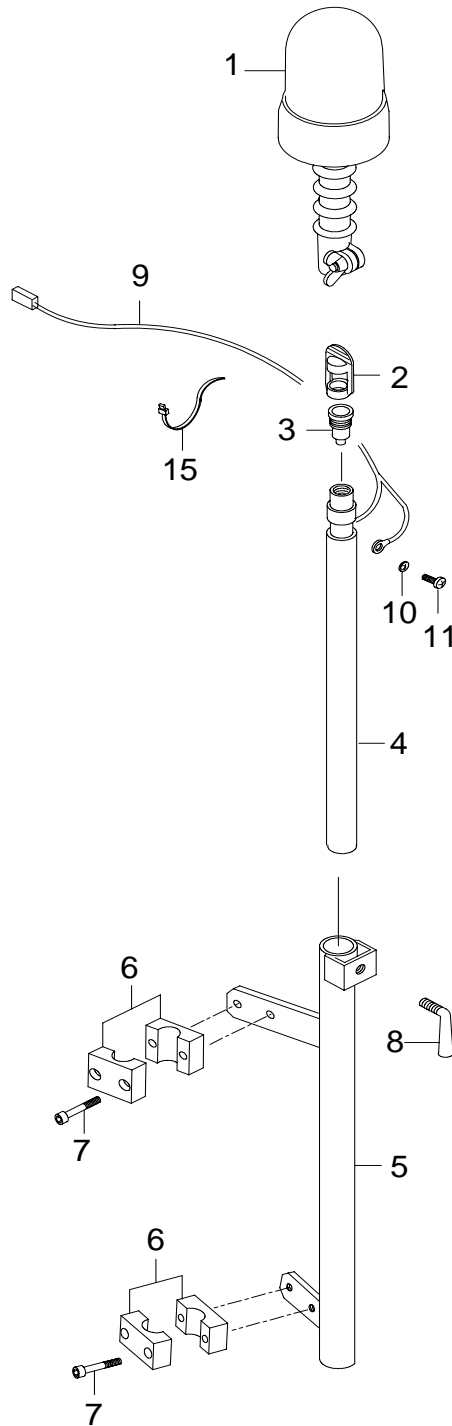
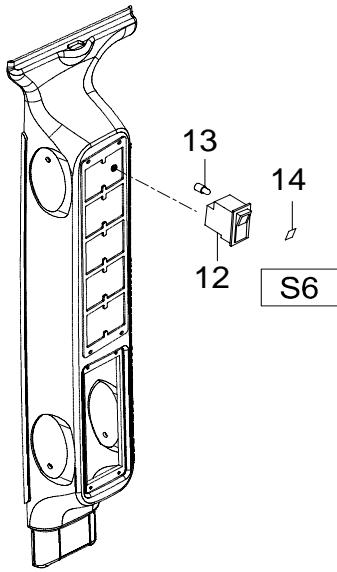
DREHWARNBLINKER
(EXTRAZUBEHÖR)

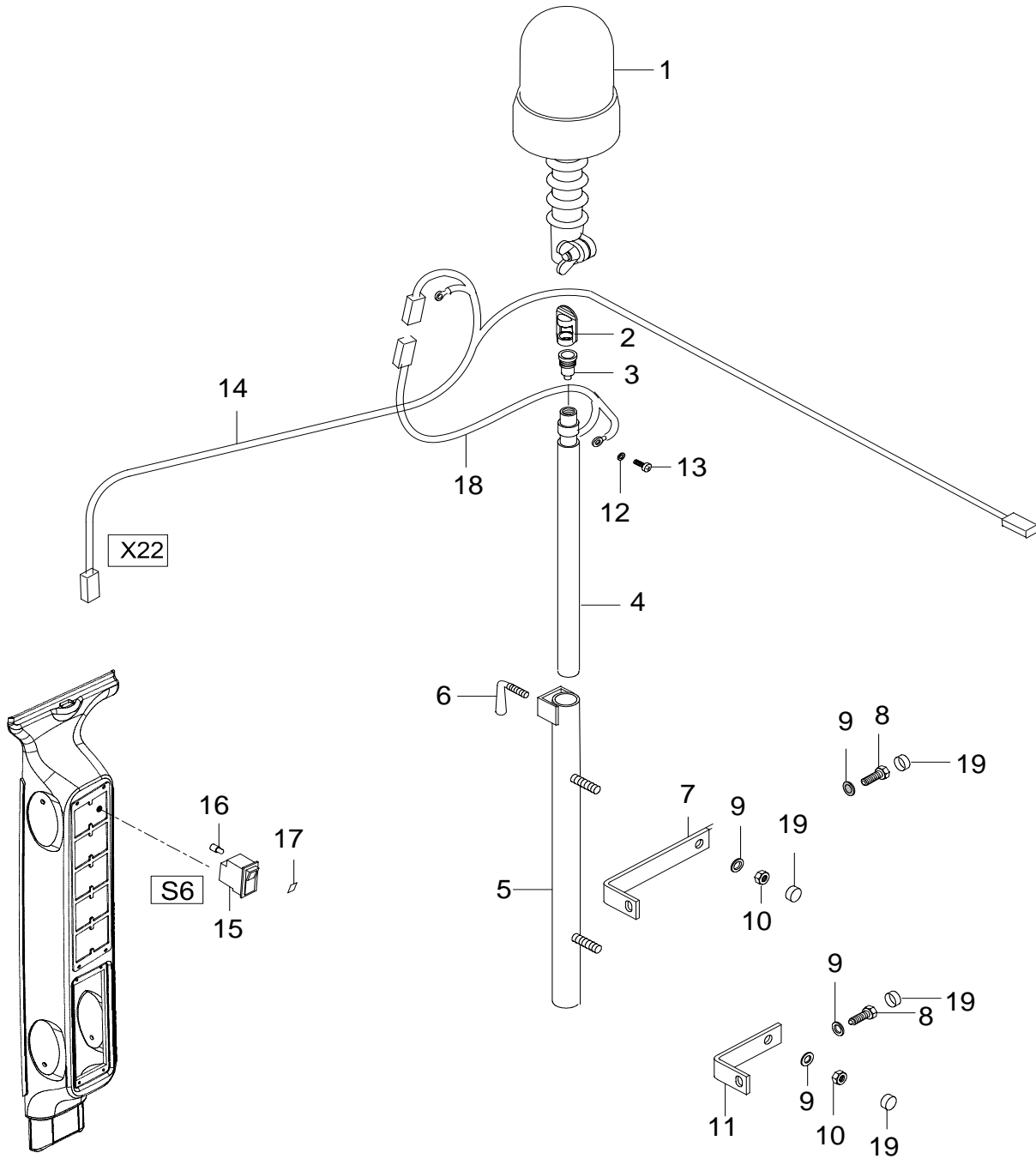
GYROPHARE
(EQUIPEMENT
OPTIONNEL)

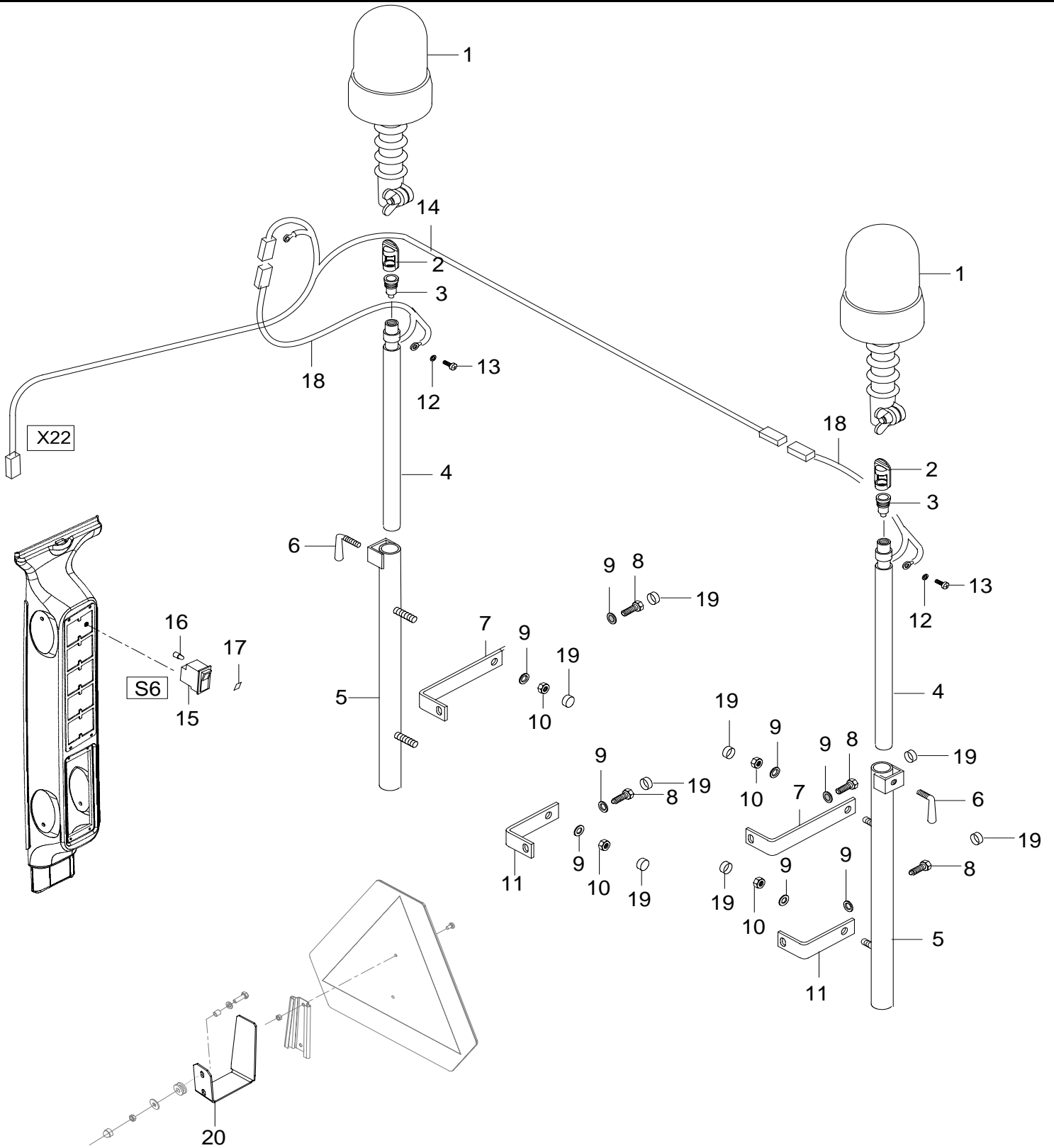
89-35

25.5.2007

N91c, N91h, N101c,
N101h, N111c, N111h,
N111eh, N121h,
N121LS, N141h, N141LS







YLÄJOVALOT
(LISÄVARUSTE)

ÖVER FÄRDLJUS
(EXTRA UTRUSTNING)

UPPER HEADLIGHTS
(OPTIONAL EQUIPMENT)

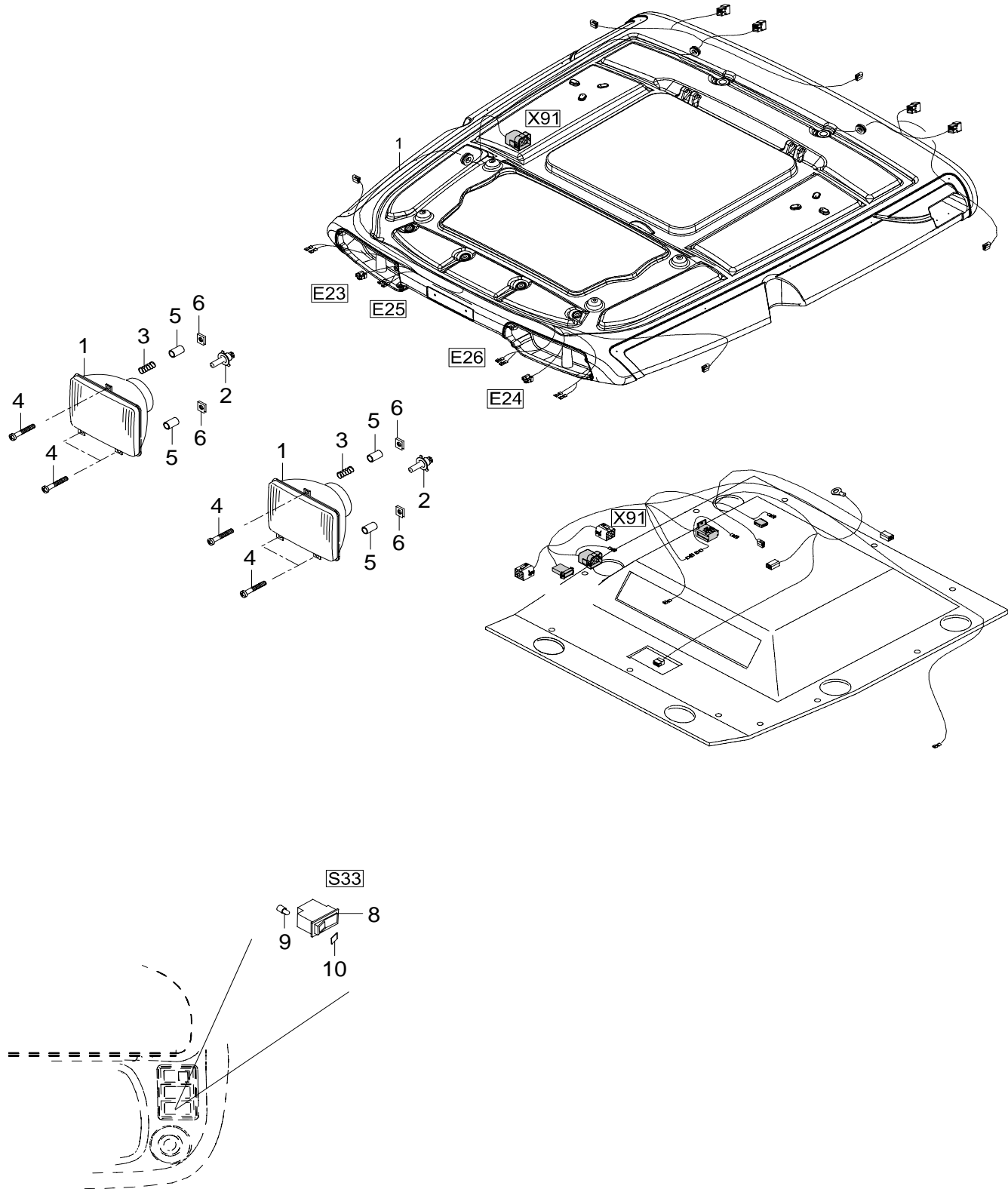
OBERE SCHEINWERFER
(EXTRAZUBEHÖR)

PHARES SUPERIEURS
(EQUIPEMENT
OPTIONNEL)

89-41

25.5.2007

N91c, N91h, N101c,
N101h, N111c, N111h,
N111eh, N121h,
N121LS, N141h, N141LS



YLÄJOVALOT, FOREST ÖVER FÄRDLJUS,
(LISÄVARUSTE) FOREST (EXTRA
UTRUSTNING)

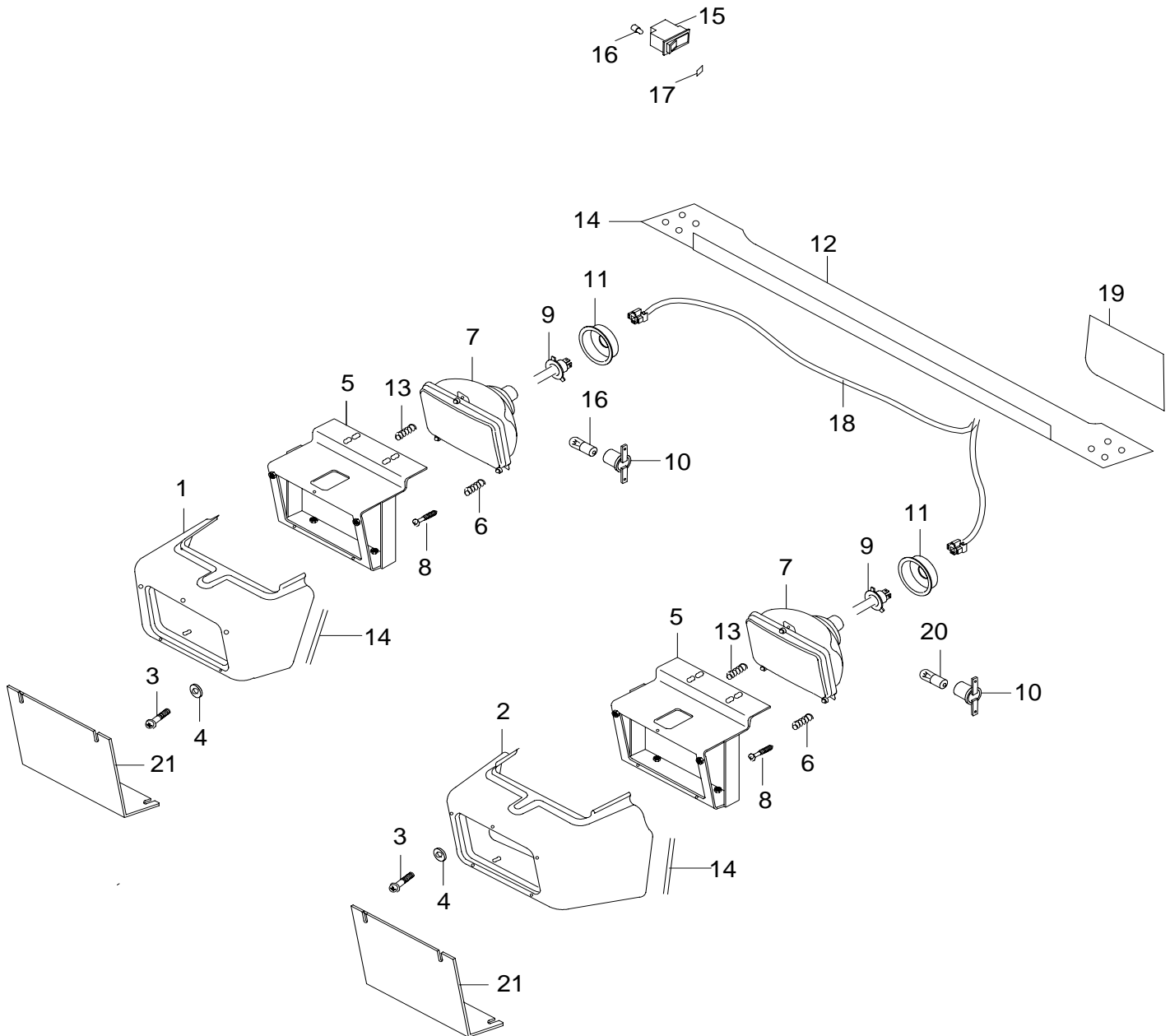
UPPER HEADLIGHTS,
FOREST (OPTIONAL
EQUIPMENT)

OBERE SCHEINWERFER, PHARES SUPERIEURS,
FOREST (EXTRAZUBEHÖR) FOREST (EQUIPEMENT
OPTIONNEL)

89-41A

25.5.2007

N91c, N91h, N101c,
N101h, N111c, N111h,
N111eh, N121h,
N121LS, N141h, N141LS



VALVONTA
PYSÄYTYSLAITE
(LISÄVARUSTE)

KONTROLLSTOPP
(EXTRA UTRUSTNING)

CONTROL STOP
(OPTIONAL EQUIPMENT)

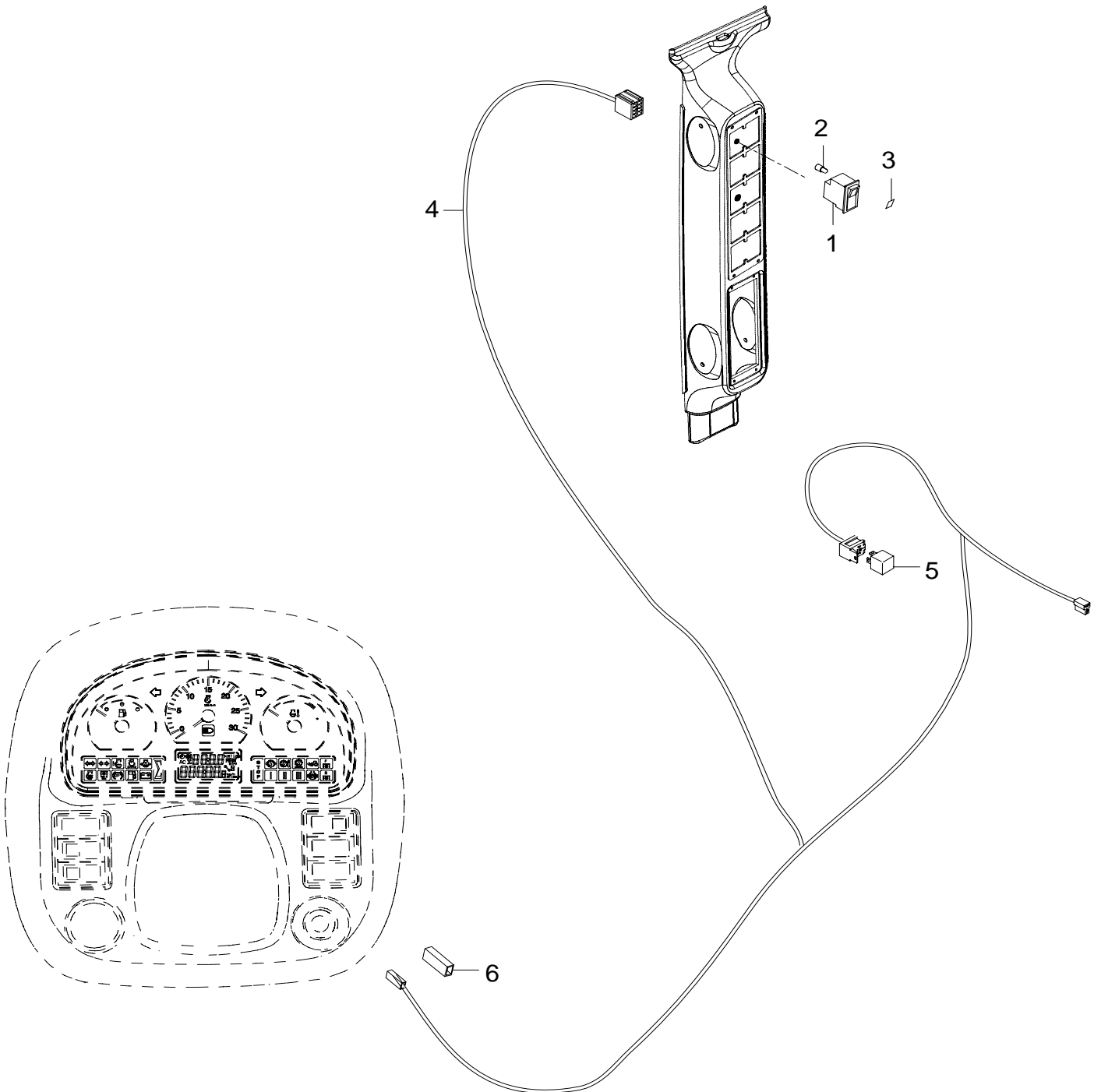
KONTROLLESTOP
(EXTRAZUBEHÖR)

ARRET ELECTRIQUE
(EQUIPEMENT
OPTIONNEL)

89-43

25.5.2007

N91c, N91h, N101c,
N101h, N111c, N111h,
N111eh, N121h,
N121LS, N141h, N141LS



LISÄVALOT
(LISÄVARUSTE)

EXTRA BELYSNING
(EXTRA UTRUSTNING)

EXTRA LIGHTS
(OPTIONAL EQUIPMENT)

EXTRA
BELEUCHTUNGSSCHAL-
TER (EXTRAZUBEHÖR)

LES PHARES
SUPPLÉMENTAIRES
(EQUIPEMENT
OPTIONNEL)

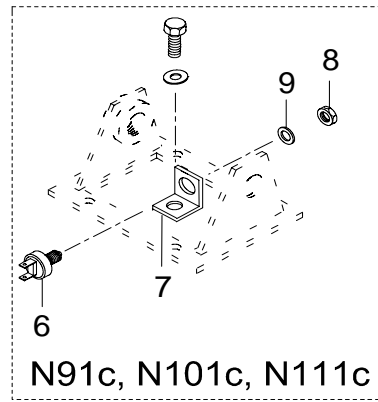
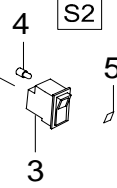
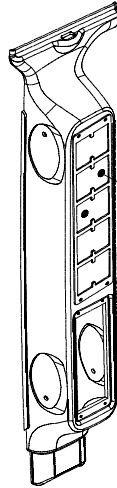
89-45

25.5.2007

N91c, N101c, N111c,
N91h, N101h, N111h,
N111eh, N121h, N141h,
N121LS, N141LS

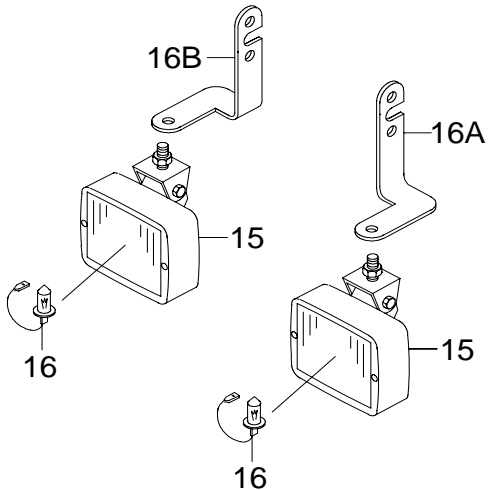
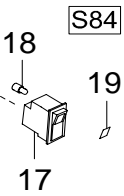
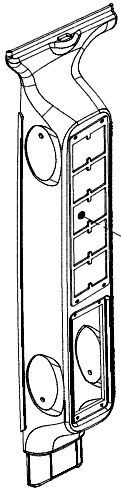
1

2

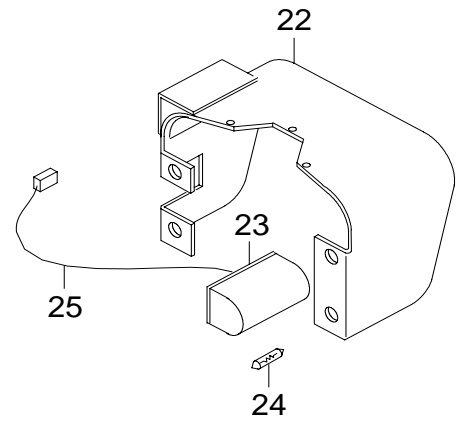
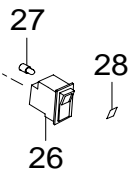
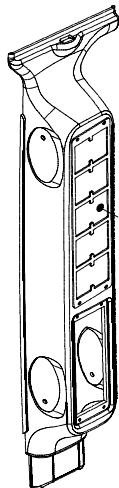


N91c, N101c, N111c

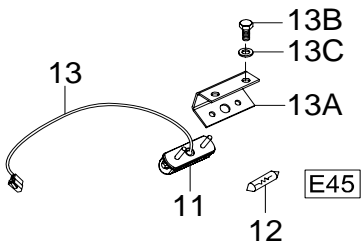
14



21



10



E45

TYÖVALOT XENON
(LISÄVARUSTE)

ARBETSLJUS XENON
(EXTRA UTRUSTNING)

WORKING LIGHTS
XENON (OPTIONAL
EQUIPMENT)

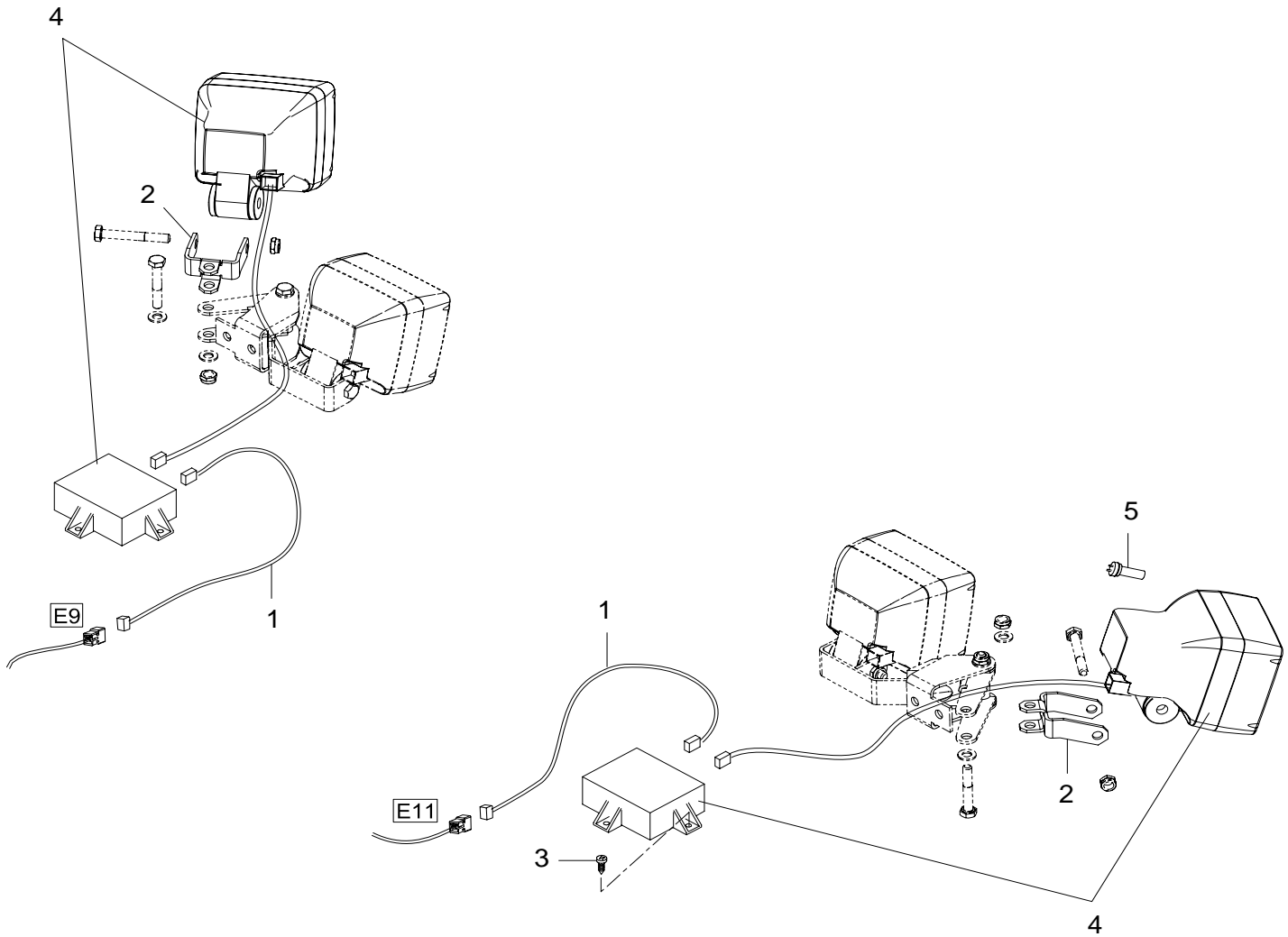
ARBEITSLICHTER
XENON
(EXTRAZUBEHÖR)

FEUX DE TRAVAIL
XENON (EQUIPEMENT
OPTIONNEL)

89-47

25.5.2007

N91c, N101c, N111c,
N91h, N101h, N111h,
N111eh, N121h, N141h,
N121LS, N141LS



TUNNUSKILVEN VALO
(LISÄVARUSTE)

NUMMERBELYSNING
(EXTRA UTRUSTNING)

LIGHT, NUMBER PLATE
(OPTIONAL EQUIPMENT)

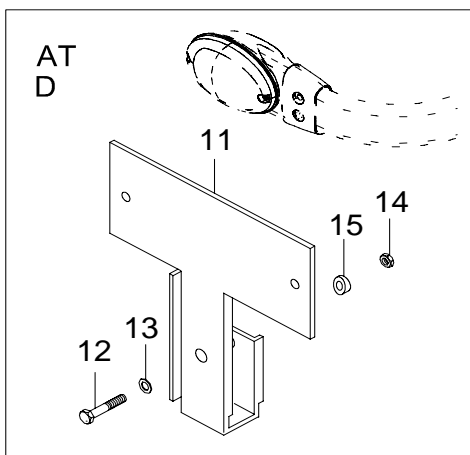
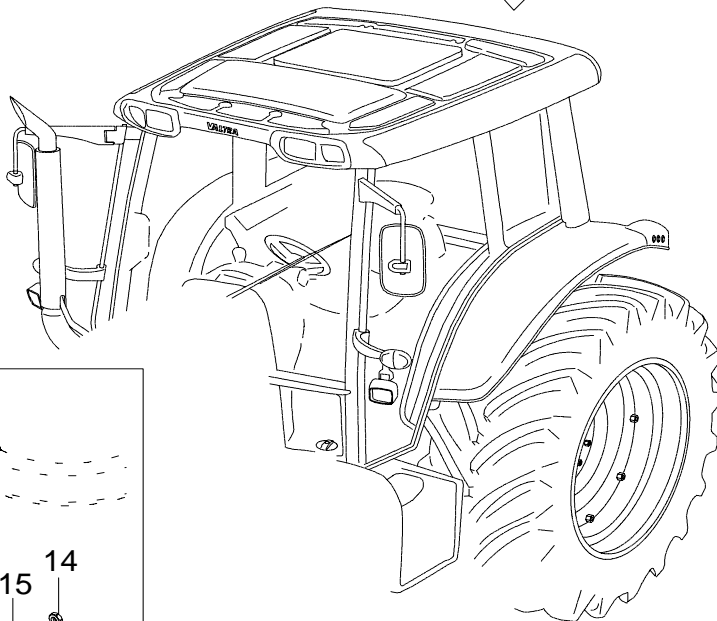
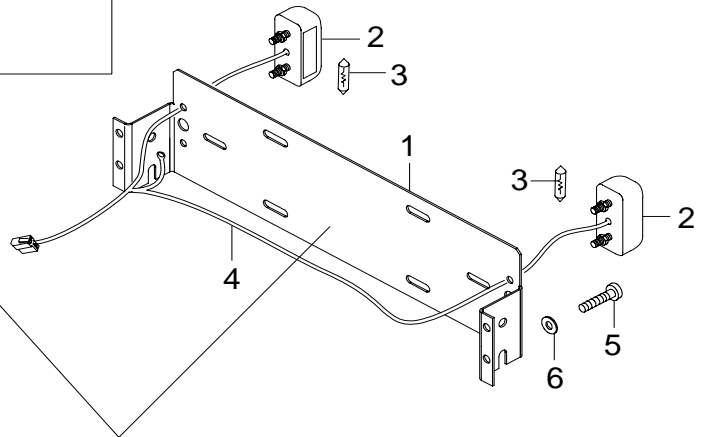
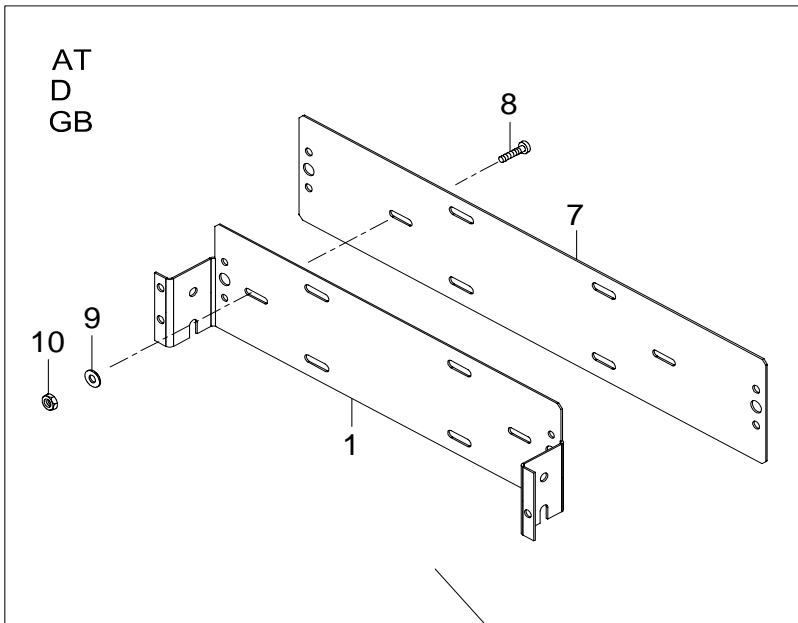
LICHT,
NUMMERSCHILD
(EXTRAZUBEHÖR)

FEU, PLAQUE
D'IMMATICULATION
(EQUIPEMENT
OPTIONNEL)

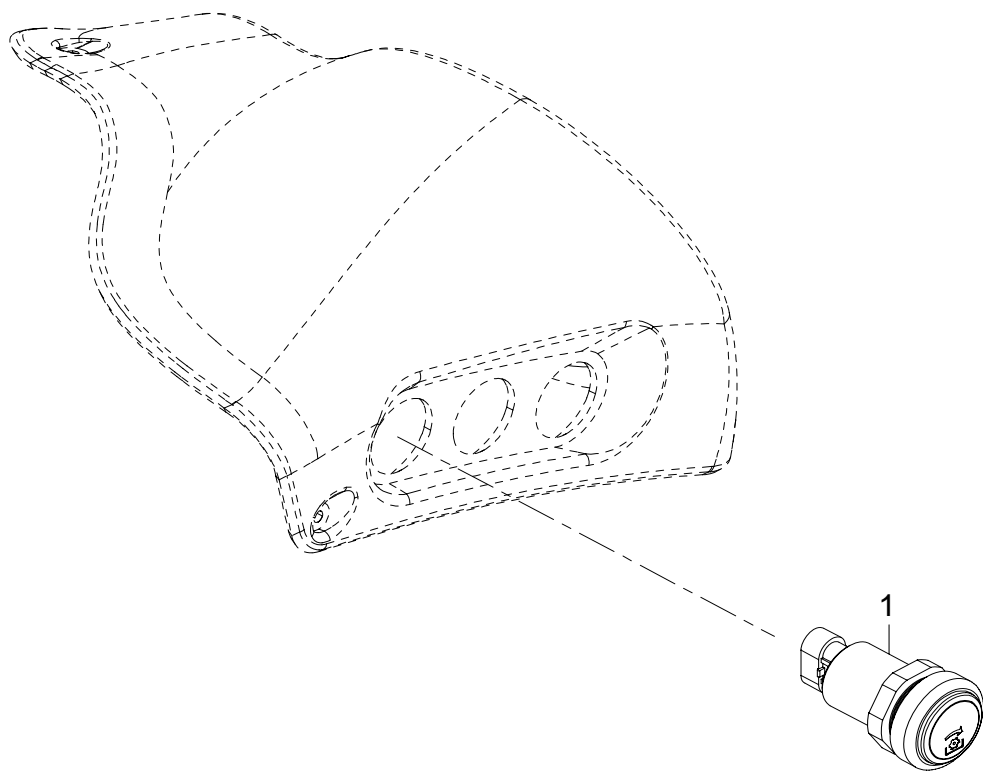
89-49

25.5.2007

N91c, N91h, N101c,
N101h, N111c, N111h,
N111eh, N121h,
N121LS, N141h, N141LS



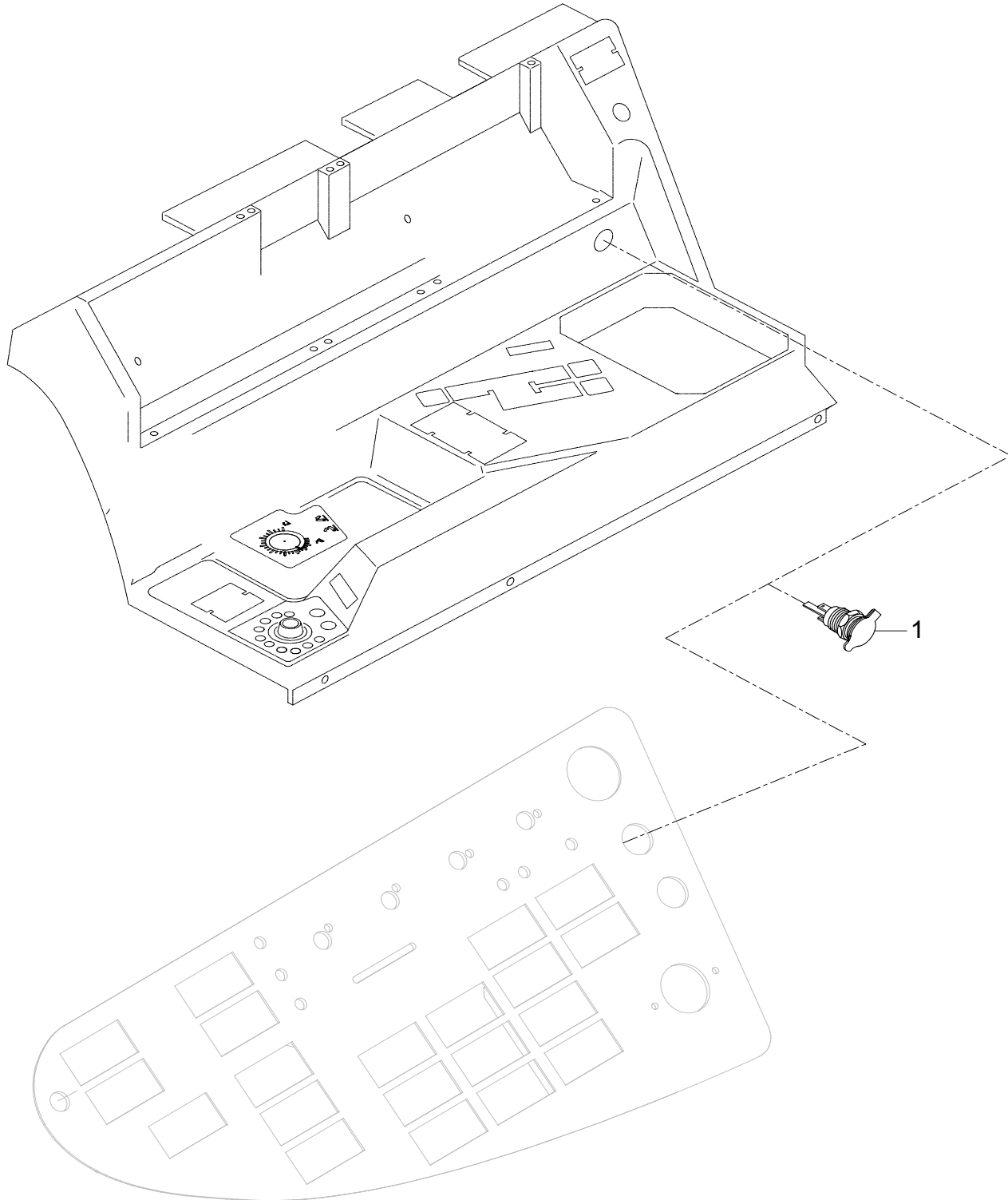
PTO- TAKAKÄYNNISTYS/PYSÄ YTYS (LISÄVARUSTE)	KRAFTUTTAG, YTTRE MANÖVRERING (EXTRA UTRUSTNING)	PTO REAR START/STOP (OPTIONAL EQUIPMENT)	ZAPFWELLE START/STOP, HINTEN (EXTRAZUBEHÖR)	DÉMARRAGE ARRIÈRE/ARRÊT DE LA PF (EQUIPEMENT OPTIONNEL)	89-51 25.5.2007 N91h, N101h, N111h, N111eh, N121h, N121LS, N141h, N141LS
---	--	---	---	--	--



PISTORASIA
(LISÄVARUSTE)STICKDOSA (EXTRA
UTRUSTNING)PLUG SOCKET
(OPTIONAL EQUIPMENT) (EXTRAZUBEHÖR)PRISE (EQUIPEMENT
OPTIONNEL)

89-53

25.5.2007

N91c, N91h, N101c,
N101h, N111c, N111h,
N111eh, N121h, N141h

PERUUTUSSUMMERI
(LISÄVARUSTE)

BACKSUMMER (EXTRA
UTRUSTNING)

BACKBUZZER
(OPTIONAL EQUIPMENT)

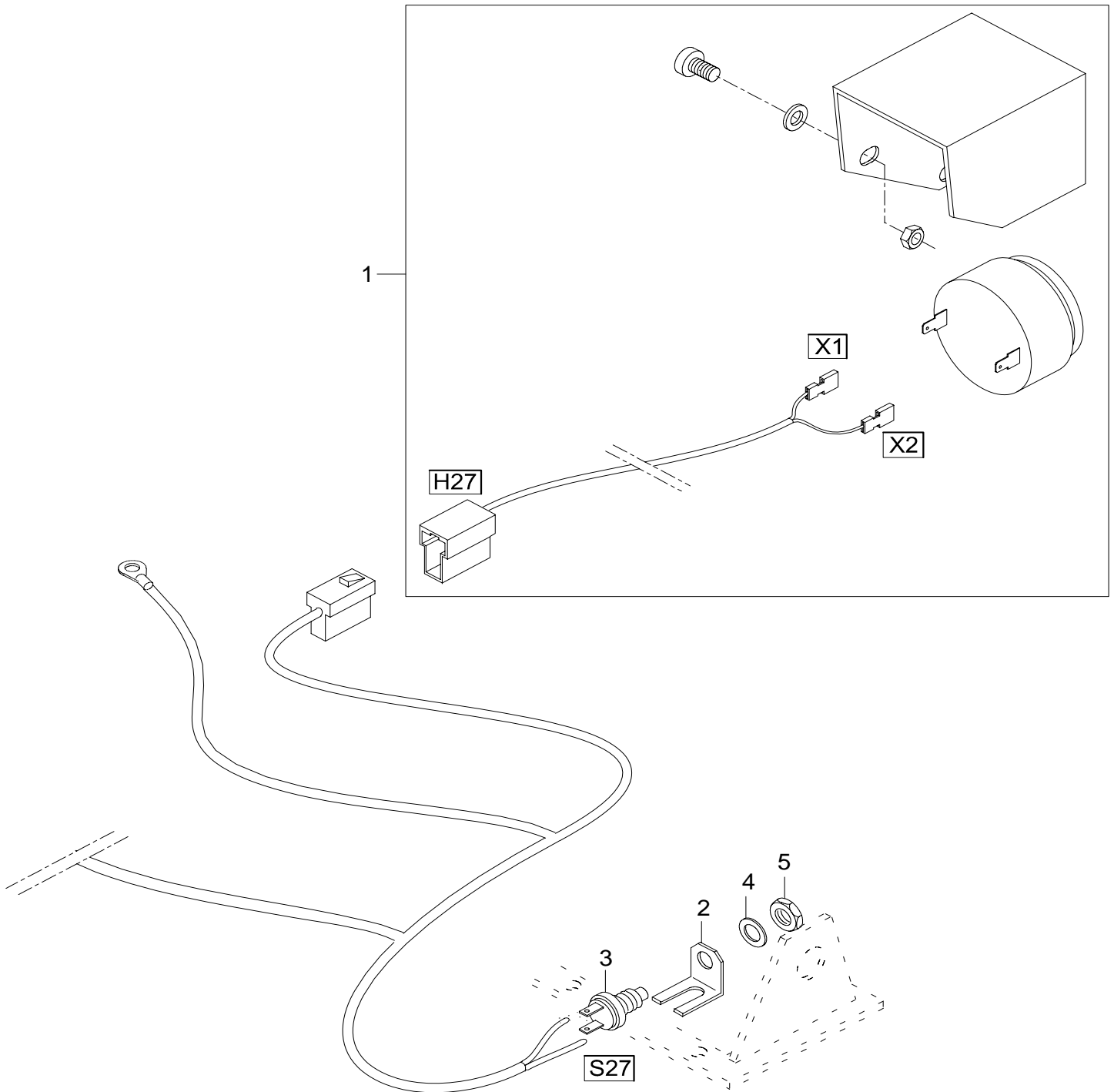
RÜCKFAHRSSUMMER
(EXTRAZUBEHÖR)

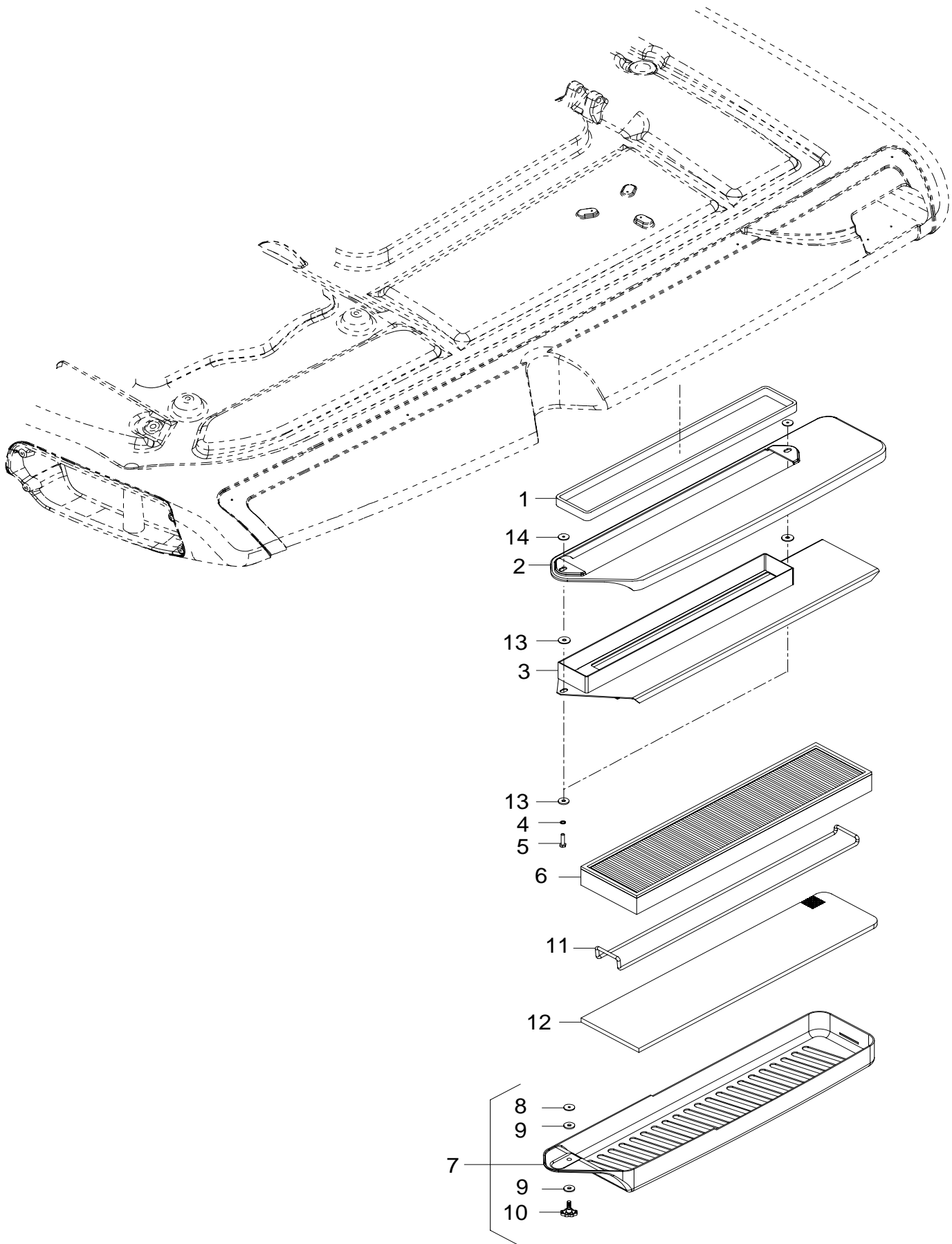
BUZZER ARRIERE
(EQUIPEMENT
OPTIONNEL)

89-55

25.5.2007

N91c, N91h, N101c,
N101h, N111c, N111h,
N111eh, N121h,
N121LS, N141h, N141LS





VAKIONOPEUSSÄÄDIN
(LISÄVARUSTE)

KONSTANT HASTIGHET
REGULATOR (EXTRA
UTRUSTNING)

CONSTANT SPEED
REGULATOR (OPTIONAL
EQUIPMENT)

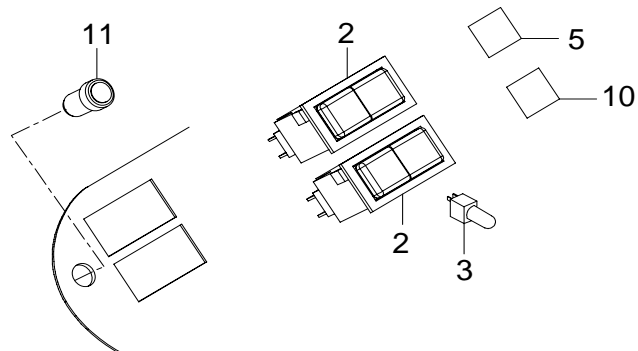
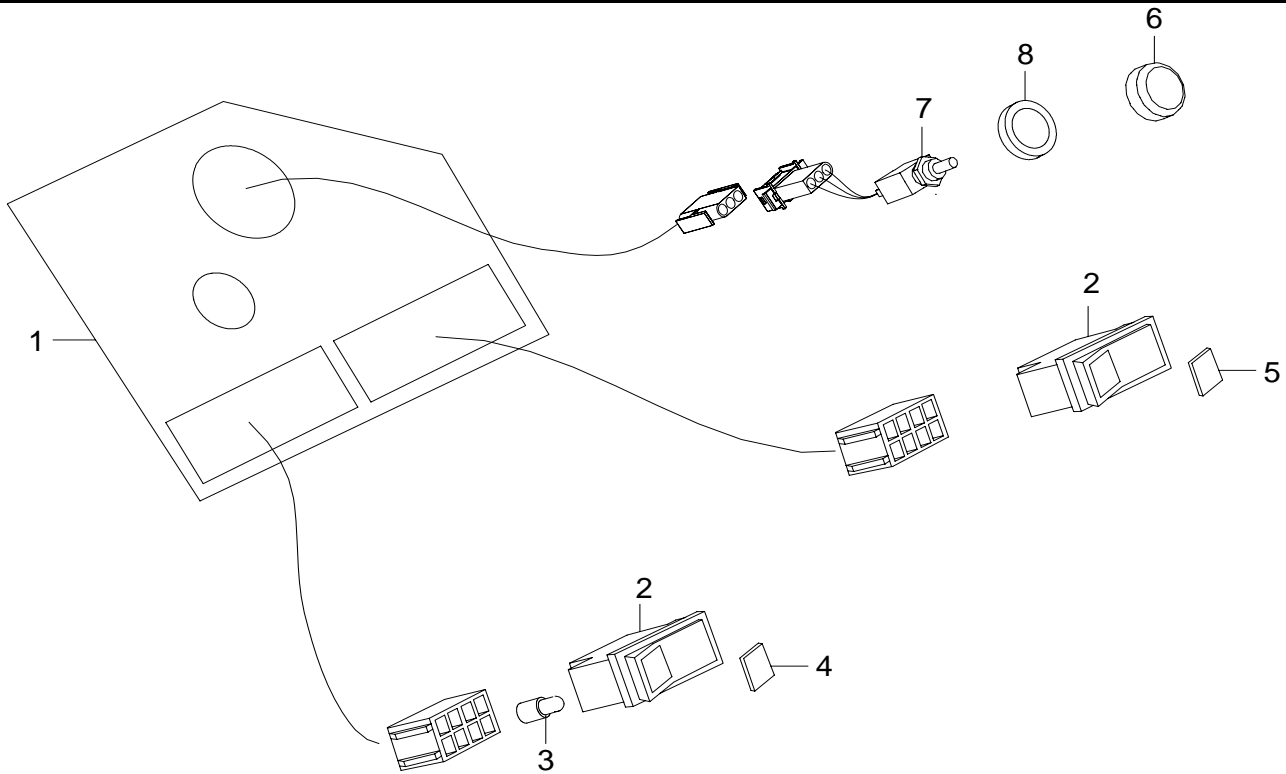
KONSTANTE FAHRT
REGULATOR
(EXTRAZUBEHÖR)

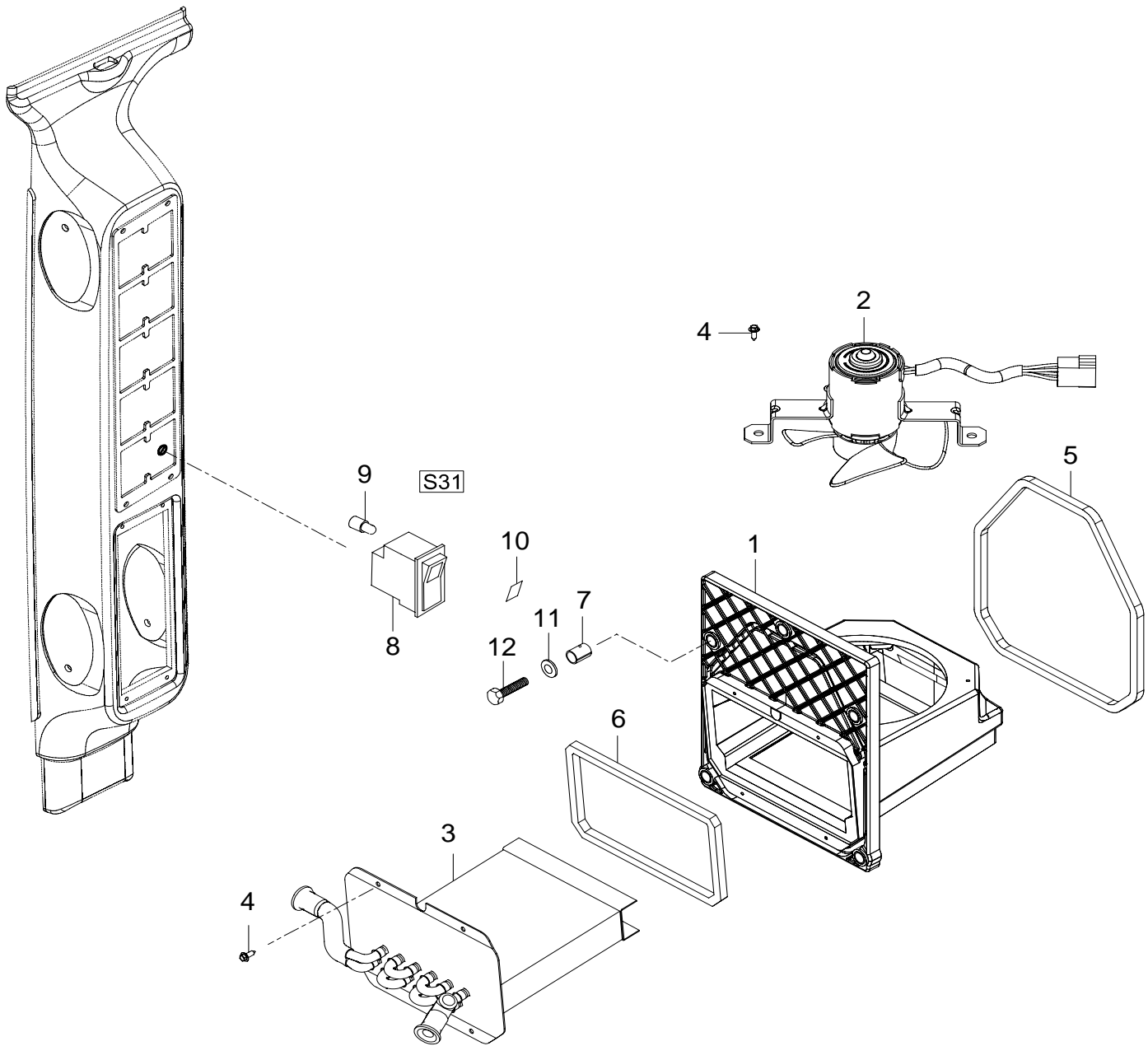
RÉGULATEUR DE
VITESSE CONSTANTE
(EQUIPEMENT
OPTIONNEL)

89-59

25.5.2007

N101c, N101h, N111eh,
N121h, N141h





TYÖKONESIGNAALIITY ANSLUTNING AV
NTÄ (LISÄVARUSTE) REDSKAP SIGNAL
(EXTRA UTRUSTNING)

IMPLEMENT SIGNAL
INTERFACE (OPTIONAL
EQUIPMENT)

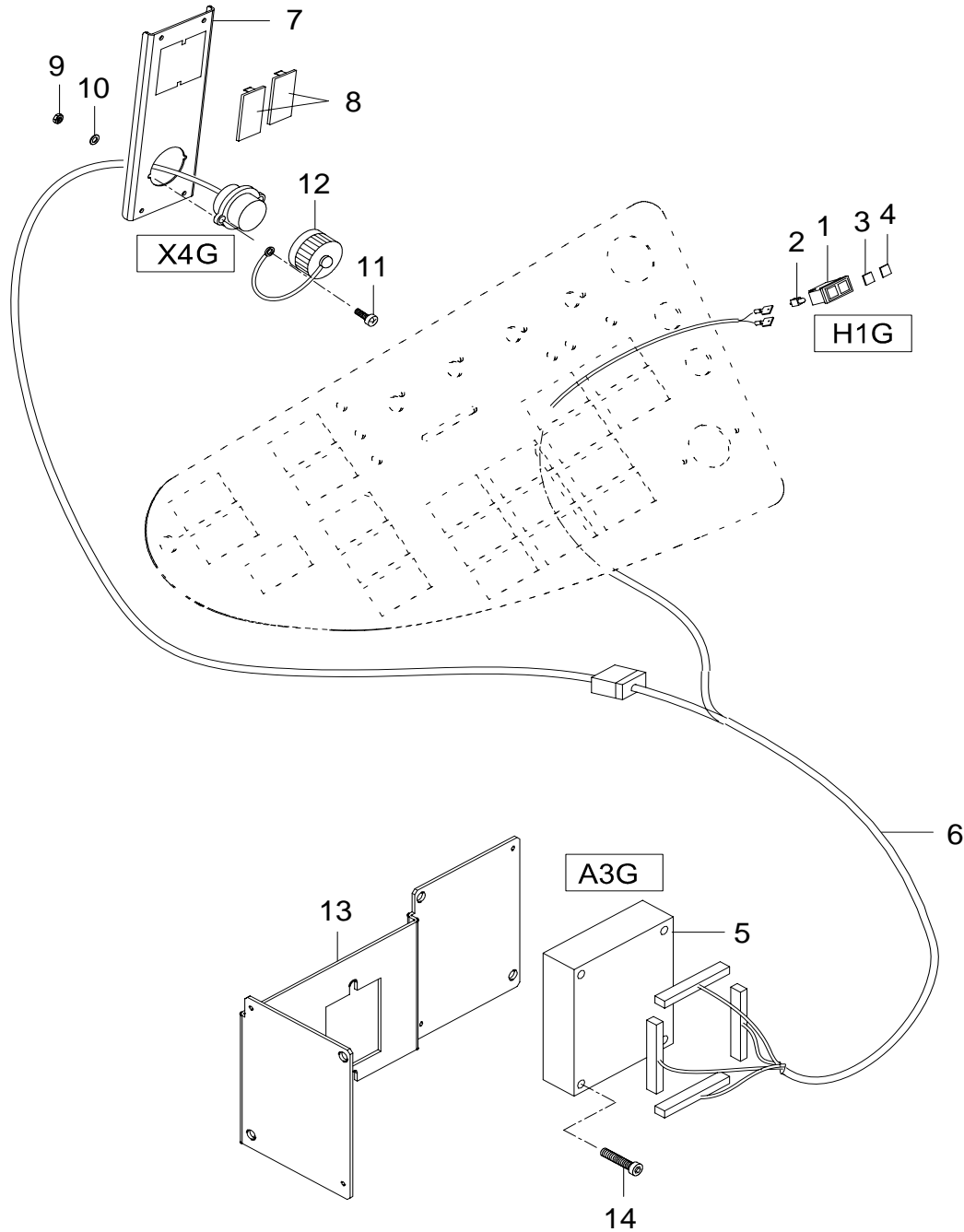
ANSCHLUSS FÜR
ARBEITSGERÄTESIGNA
L (EXTRAZUBEHÖR)

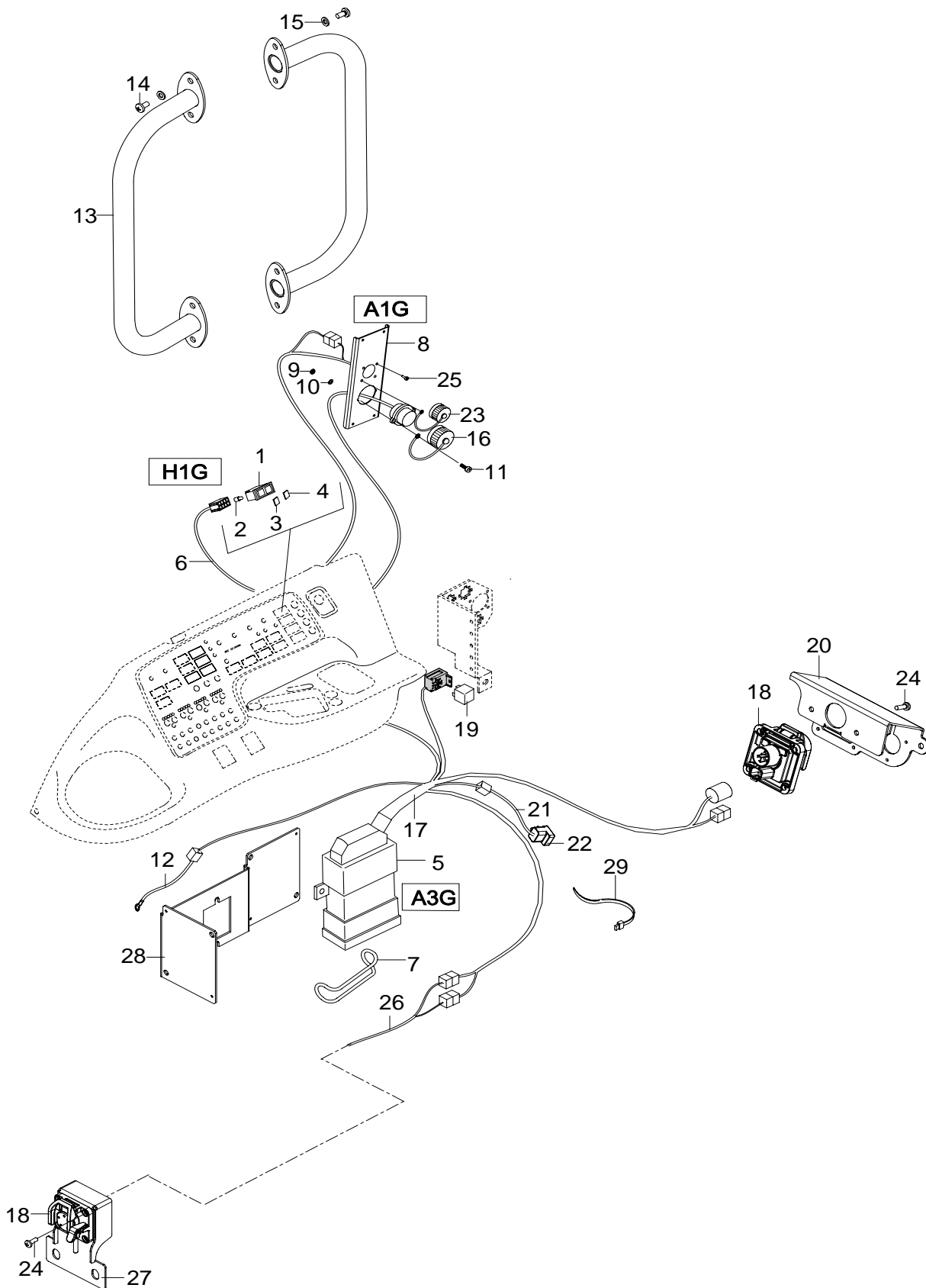
INTERFACE DE
SIGNALED'OUTIL
(EQUIPEMENT
OPTIONNEL)

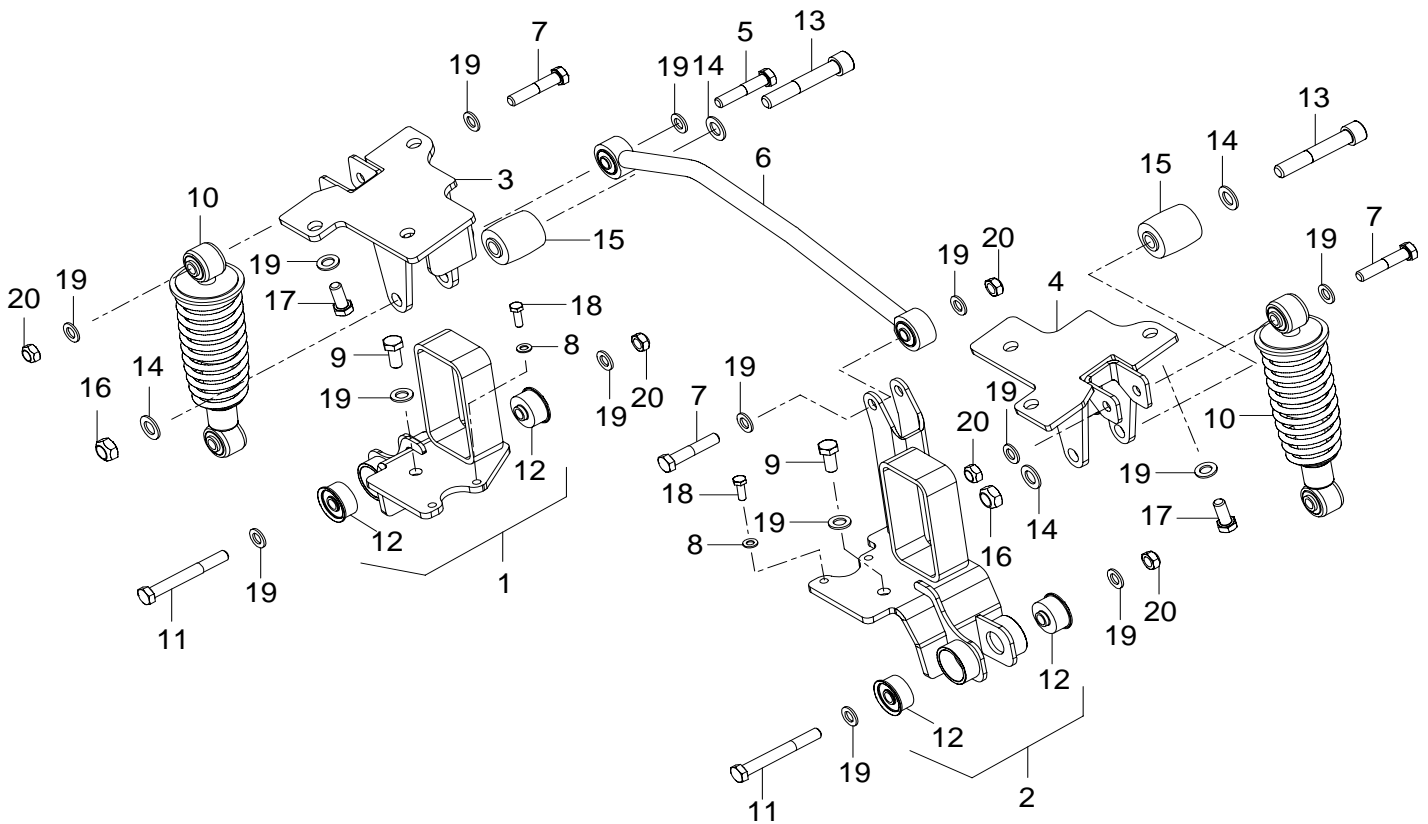
89-63

25.5.2007

N91c, N91h, N101c,
N101h, N111c, N111h,
N111eh, N121h,
N121LS, N141h, N141LS







TAKALOKASUOJAT,
LEVEÄT (LISÄVARUSTE)

BAKSTÄNKSKÄRMAR,
BRED (EXTRA
UTRUSTNING)

REAR MUDGUARDS,
BROAD (OPTIONAL
EQUIPMENT)

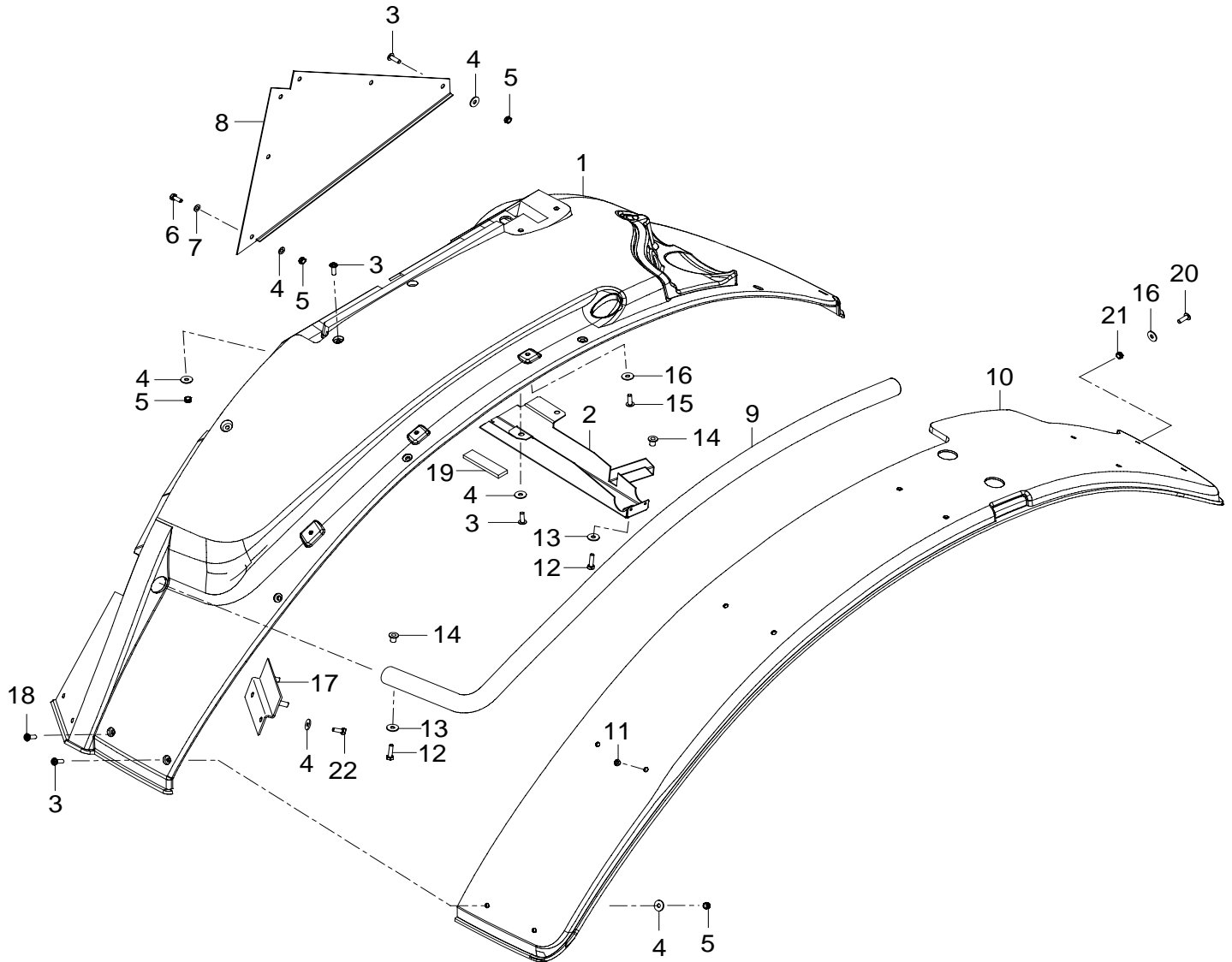
HINTERKOTFLÜGEL,
BREIT (EXTRAZUBEHÖR)

CARDE-BOUE ARRIERE,
LARGES (EQUIPEMENT
OPTIONNEL)

89-67

25.5.2007

N91c, N91h, N101c,
N101h, N111c, N111h,
N111eh, N121h,
N121LS, N141h, N141LS



TELINE, NÄYTTÖLAITE
(LISÄVARUSTE)

KONSOL,
TECKENFÖNSTER
(EXTRA UTRUSTNING)

BRACKET, DISPLAY
UNIT (OPTIONAL
EQUIPMENT)

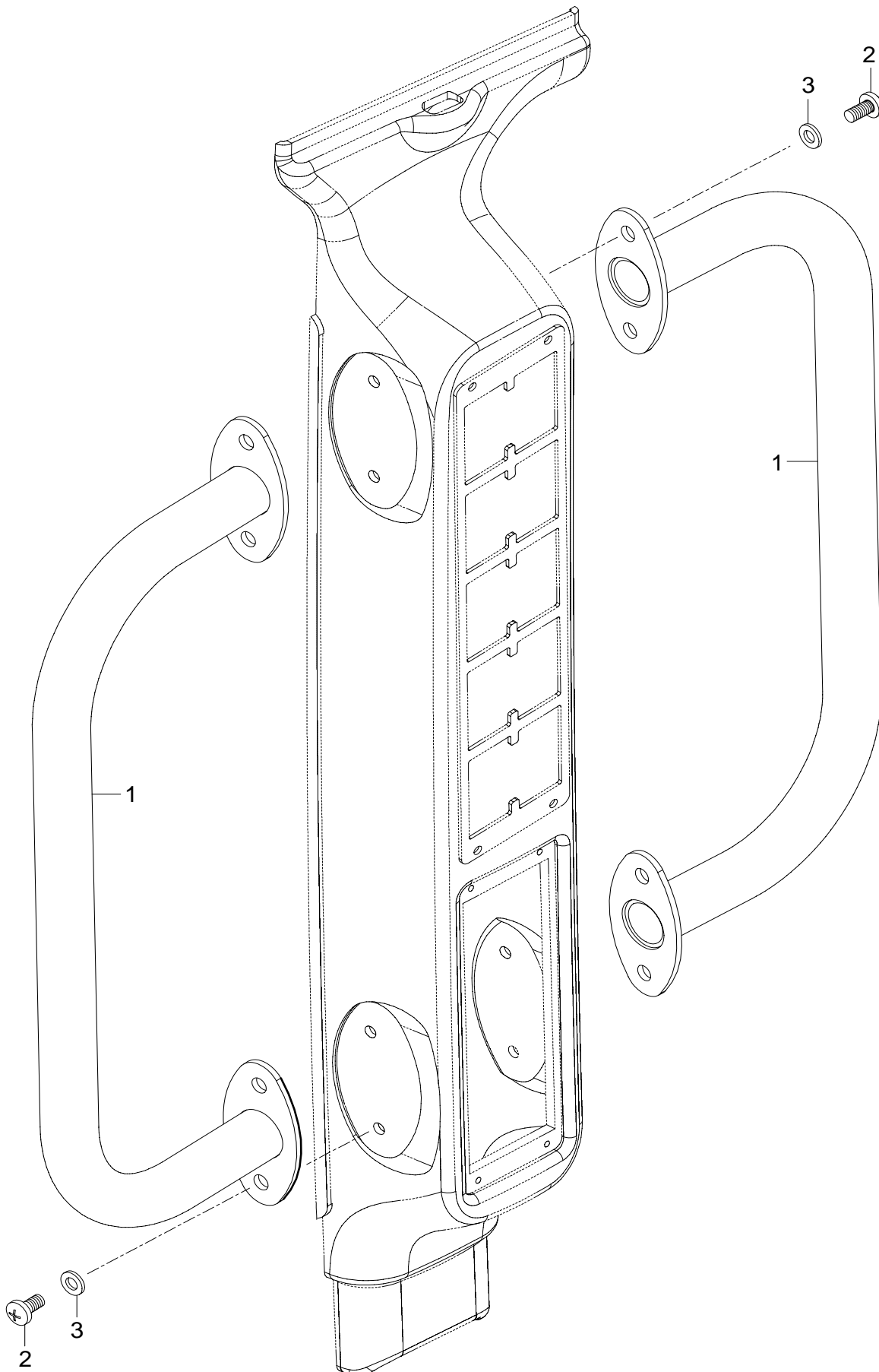
GESTELL, BILDSCHIRM
(EXTRAZUBEHÖR)

SUPPORT, AFFICHAGE
(EQUIPEMENT
OPTIONNEL)

89-69

25.5.2007

N91h, N101h, N111h,
N111eh, N121h,
N121LS, N141h, N141LS



ENSIAPULAUKKU
(LISÄVARUSTE)

FÖRSTHJÄLPVÄSKA
(EXTRA UTRUSTNING)

FIRST-AID KIT
(OPTIONAL EQUIPMENT)

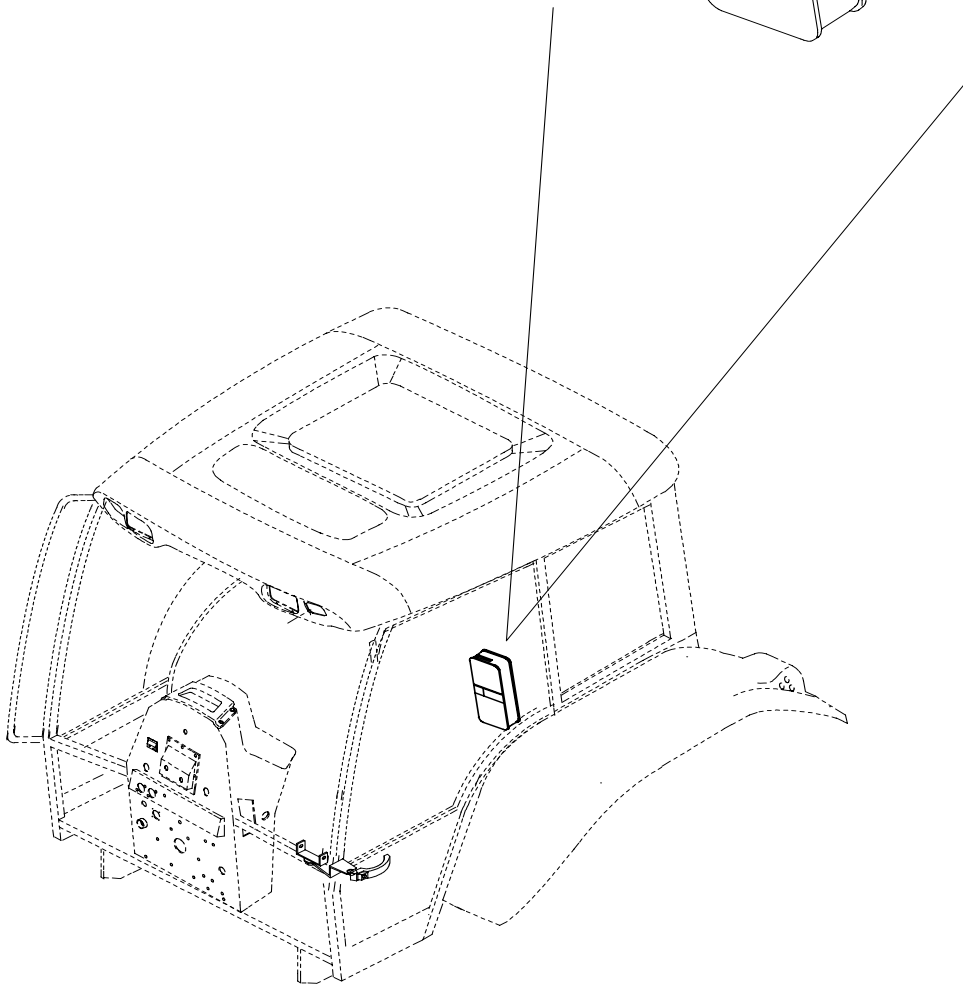
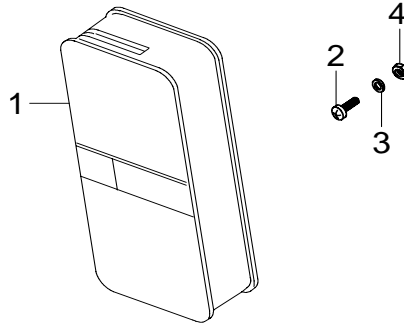
ERSTE-HILFE-TASCHE
(EXTRAZUBEHÖR)

TROUSSE DE PREMIERS
SECOURS (EQUIPEMENT
OPTIONNEL)

89-71

25.5.2007

N91c, N91h, N101c,
N101h, N111c, N111h,
N111eh, N121h,
N121LS, N141h, N141LS



JAUHESAMMUTIN
(LISÄVARUSTE)

PULVERSLÄCKARE
(EXTRA UTRUSTNING)

POWDER EXTINGUISHER
(OPTIONAL EQUIPMENT)

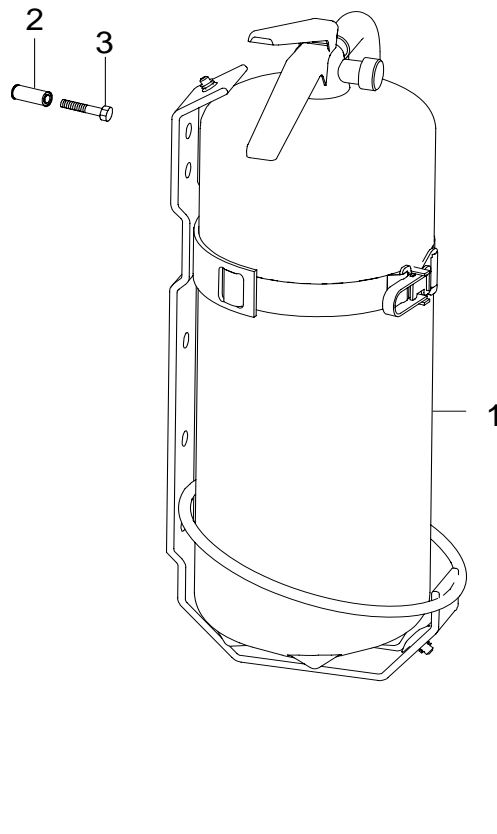
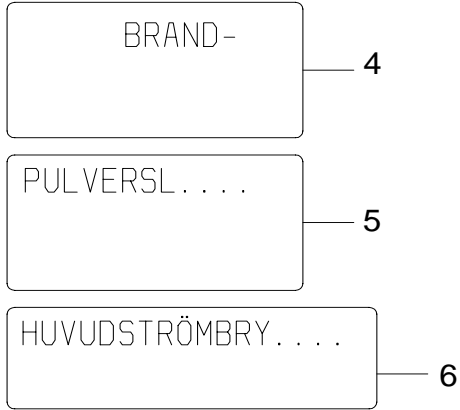
PULVERLÖSCHER
(EXTRAZUBEHÖR)

EXTINCTEUR A POUDRE
(EQUIPEMENT
OPTIONNEL)

89-73

25.5.2007

N91c, N91h, N101c,
N101h, N111c, N111h,
N111eh, N121h,
N121LS, N141h, N141LS



SIVUPEILIT,
SÄHKÖTOIMISET
(LISÄVARUSTE)

SIDOSPEGEL,
ELEKTRISK (EXTRA
UTRUSTNING)

SIDEMIRRORS,
ELECTRIC (OPTIONAL
EQUIPMENT)

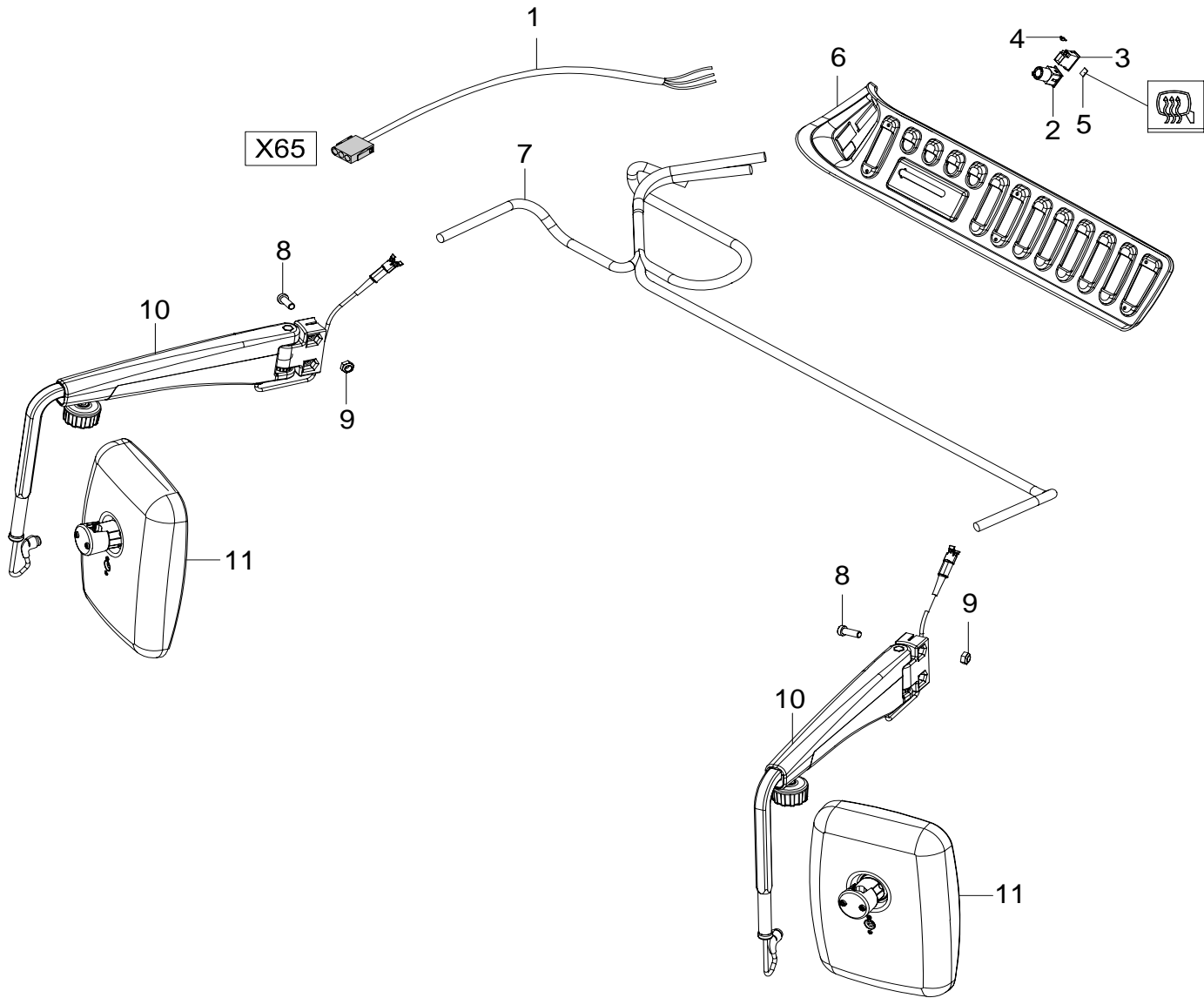
SEITENSPIEGEL,
ELEKTRISCH
(EXTRAZUBEHÖR)

RETROVISEURS
LATERAUX,
ÉLECTRIQUE
(EQUIPEMENT
OPTIONNEL)

89-75

25.5.2007

N91c, N91h, N101c,
N101h, N111c, N111h,
N111eh, N121h,
N121LS, N141h, N141LS



VAROITUSKOLMIO
(LISÄVARUSTE)

VARNINGSTRIANGEL
(EXTRA UTRUSTNING)

WARNING TRIANGLE
(OPTIONAL EQUIPMENT)

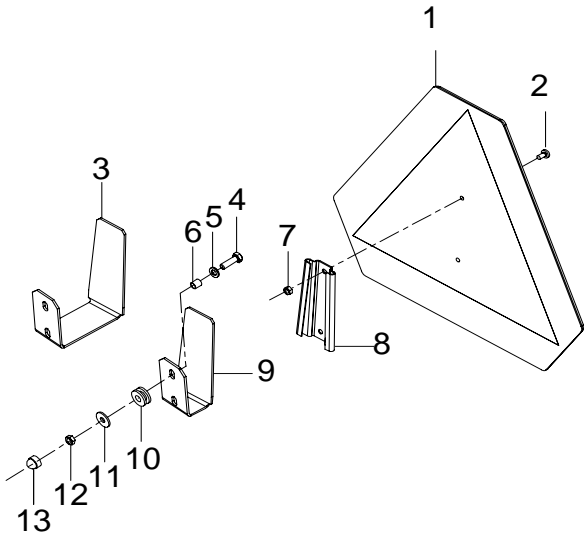
WARNDREIECK
(EXTRAZUBEHÖR)

TRIANGLEN D'
AVERTISSEMENT (EQUIP
EMENT OPTIONNEL)

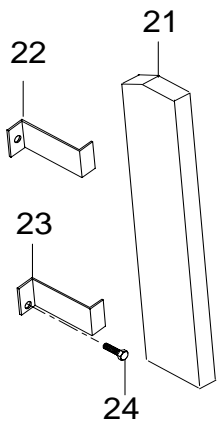
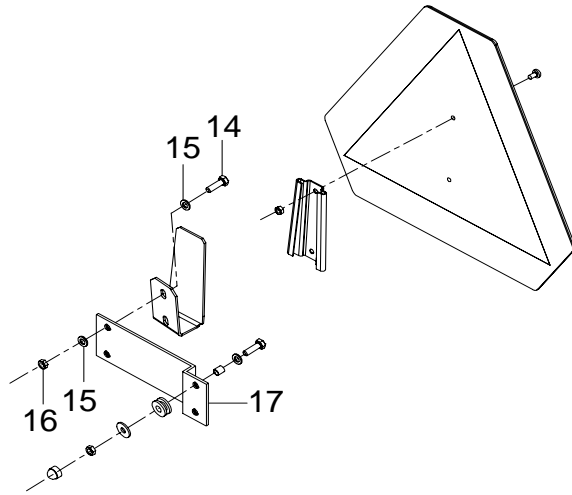
89-77

25.5.2007

N91c, N91h, N101c,
N101h, N111c, N111h,
N111eh, N121h,
N121LS, N141h, N141LS



POR



USA

