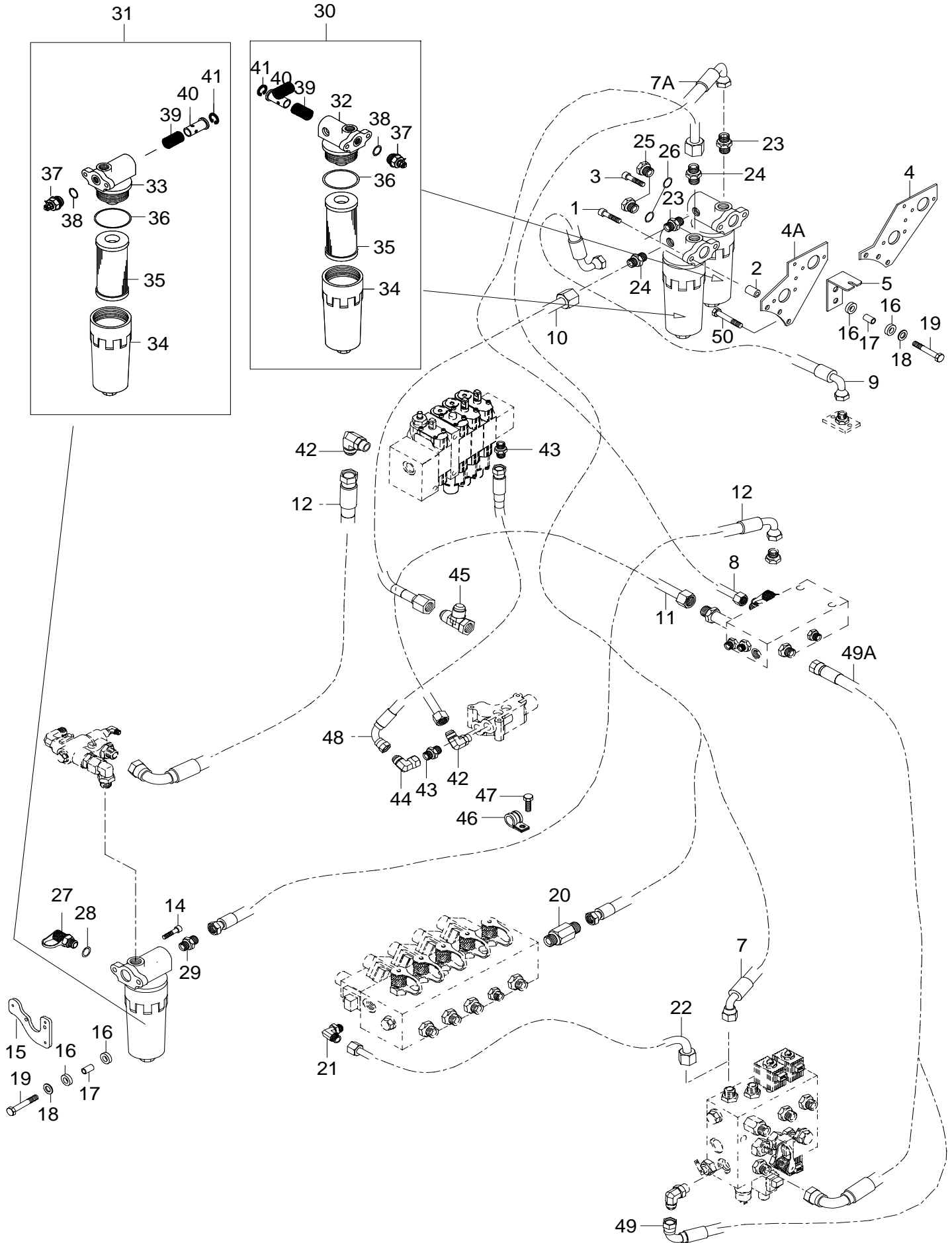
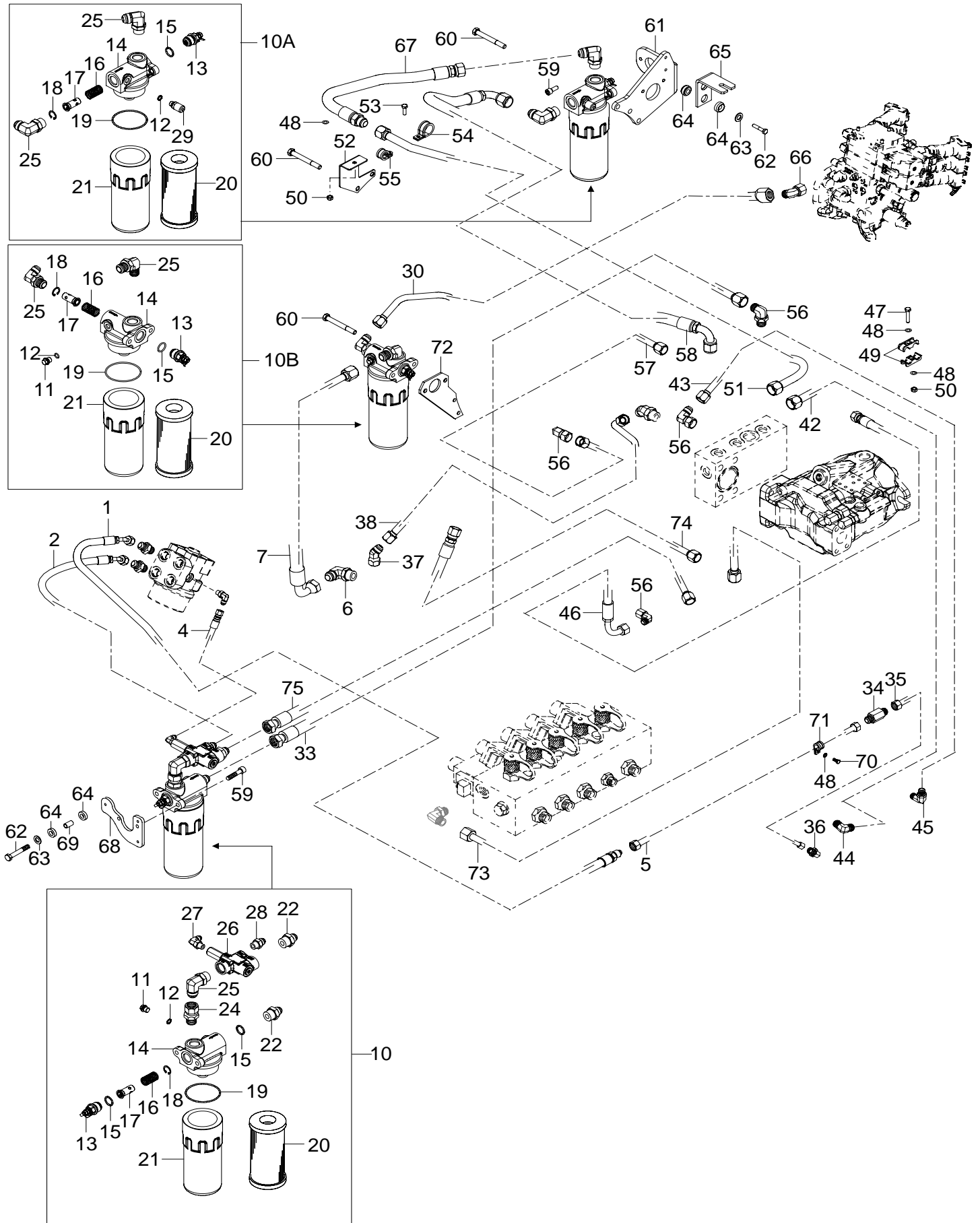
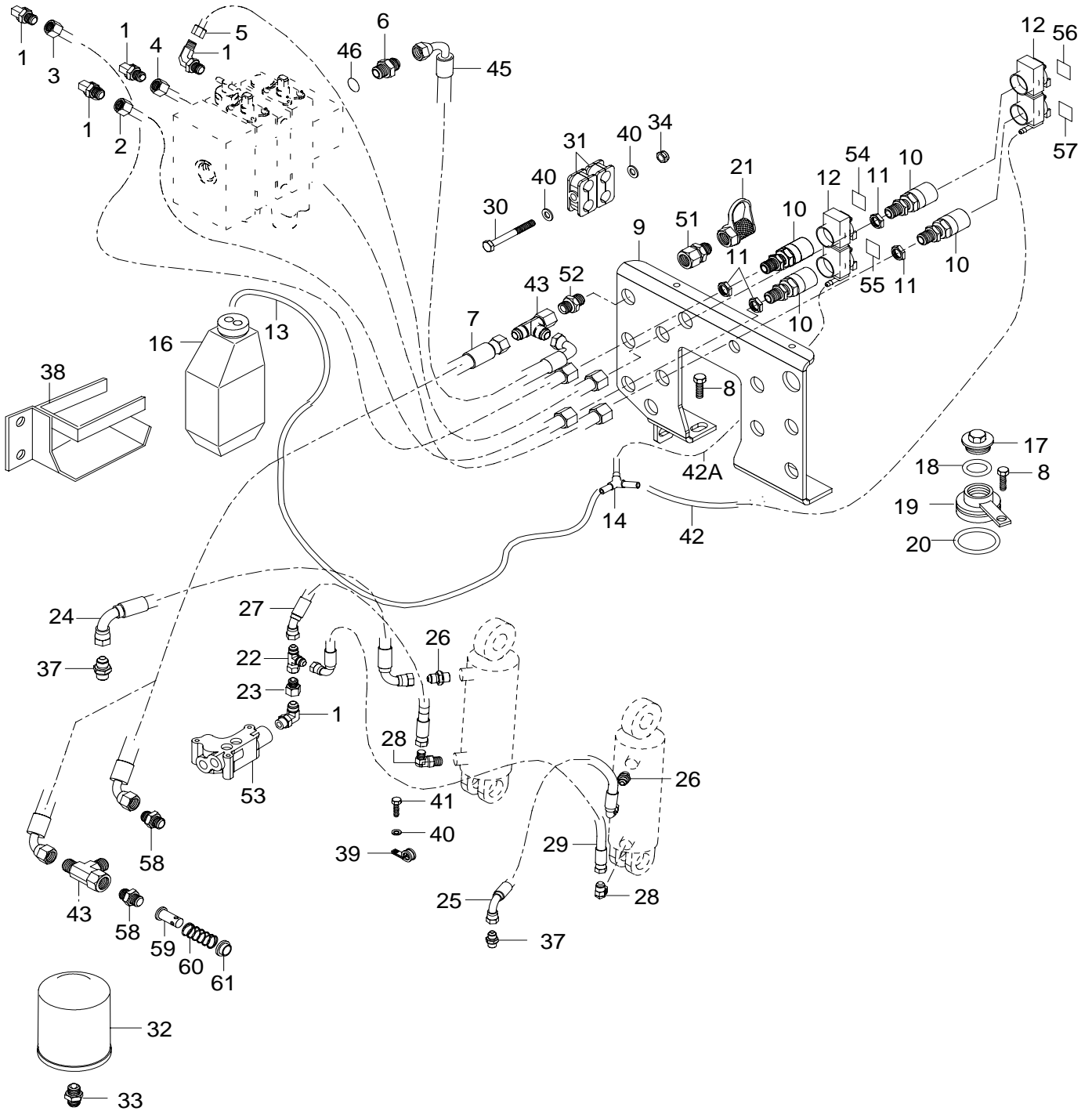


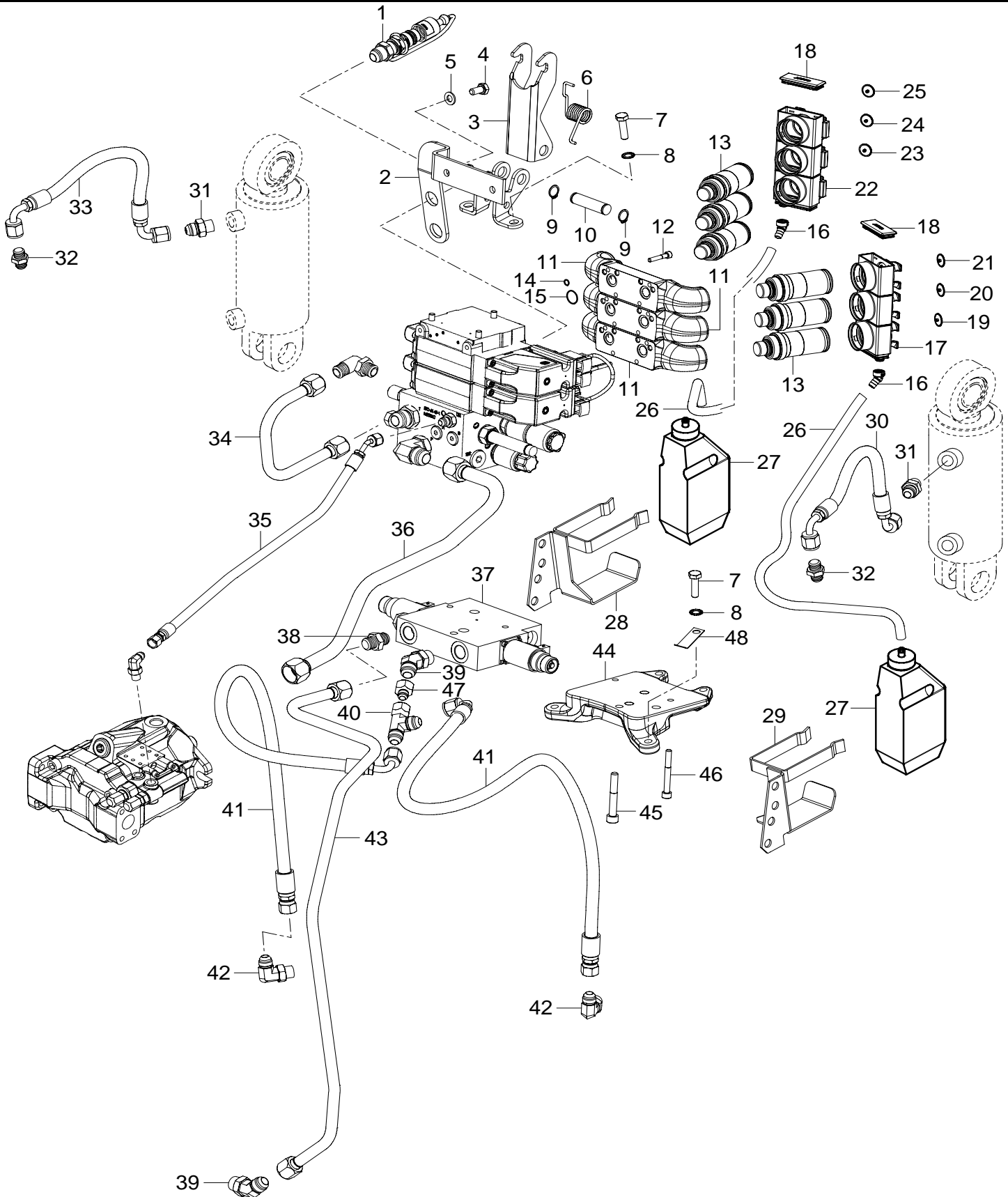
1.6.2007

T121c, T121h, T131c, T131h,
T151eh, T161c, T161h, T171c,
T171h, T191h

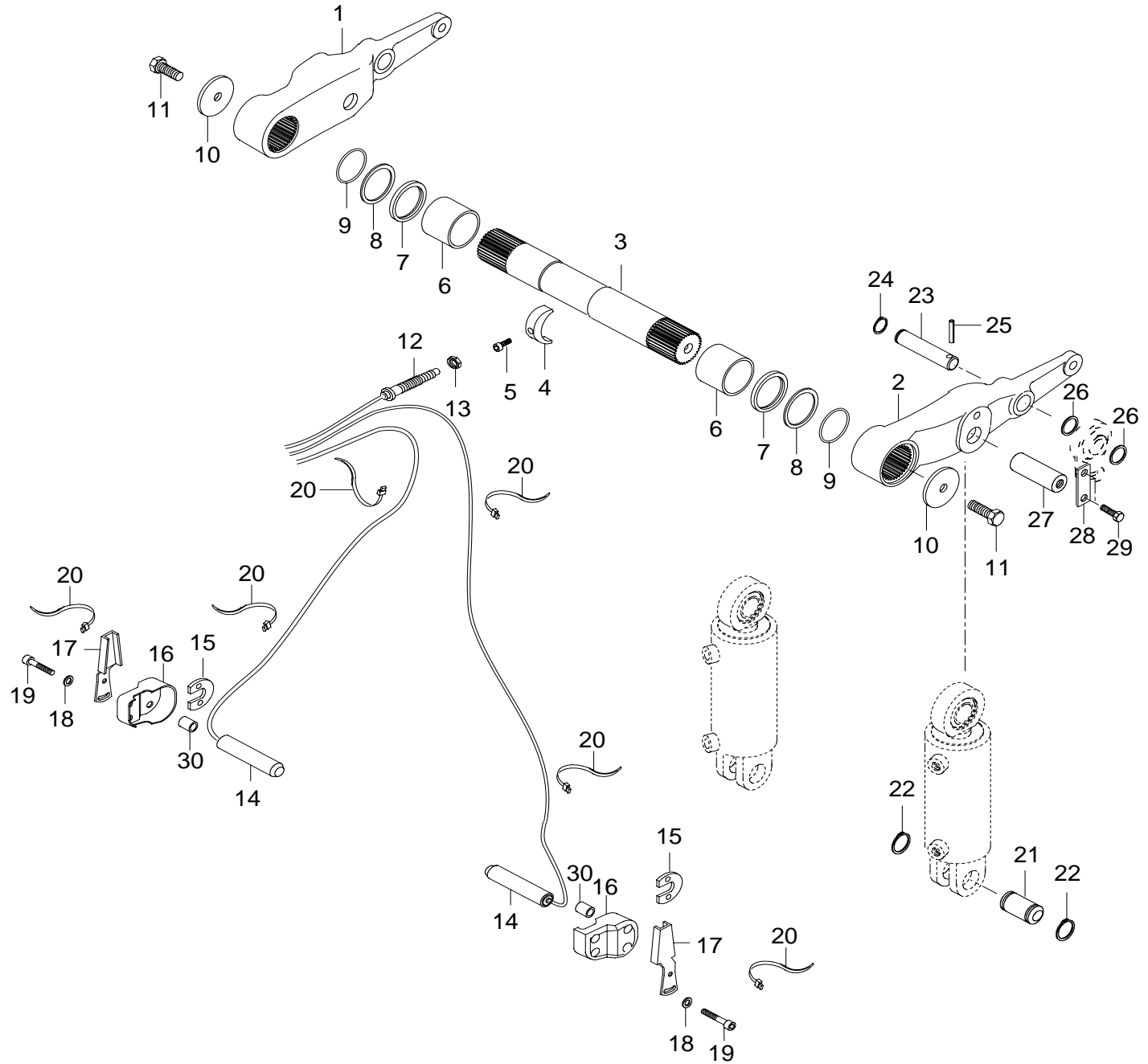






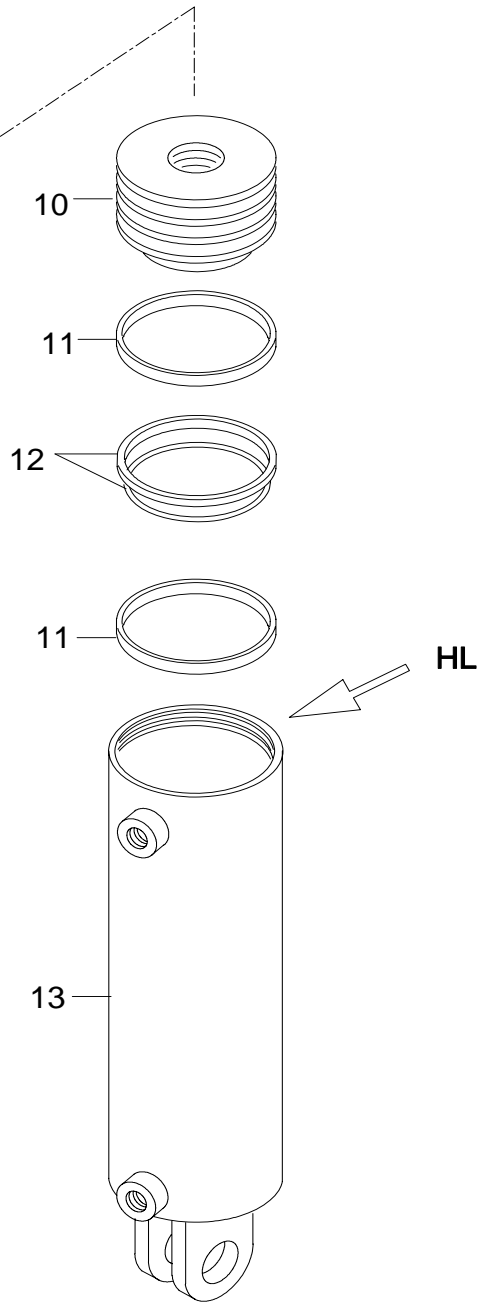
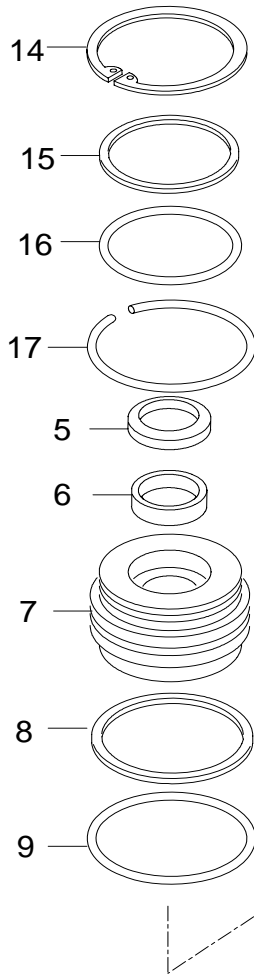
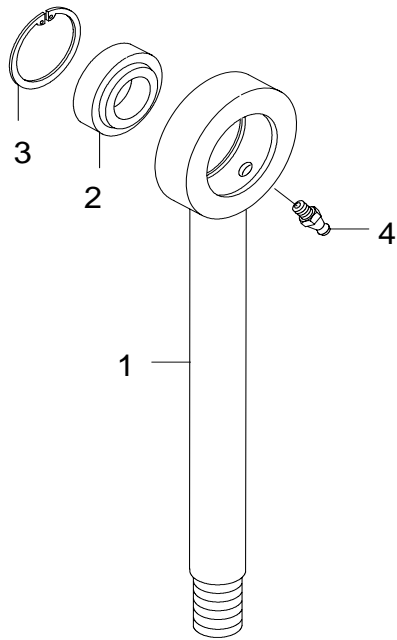


1.6.2007
 T121c, T121h, T131c, T131h,
 T151eh, T151eLS, T161c, T161h,
 T161LS, T171c, T171h, T171LS,
 T191h, T191LS



1.6.2007

T121c, T121h, T131c, T131h,
T151eh, T151eLS, T161c, T161h,
T161LS, T171c, T171h, T171LS,
T191h, T191LS



VETOVARRET, BALL-
HITCH

DRAGSTÄNGER,
BALL-HITCH

LOWER LINKS, BALL-
HITCH

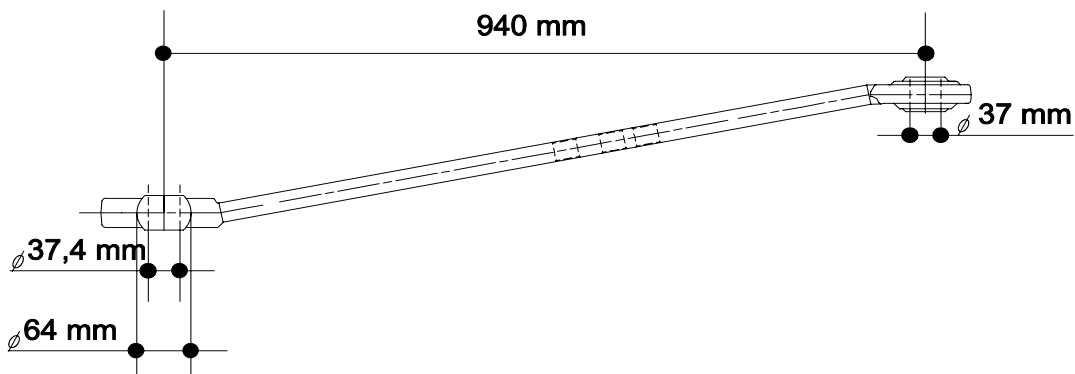
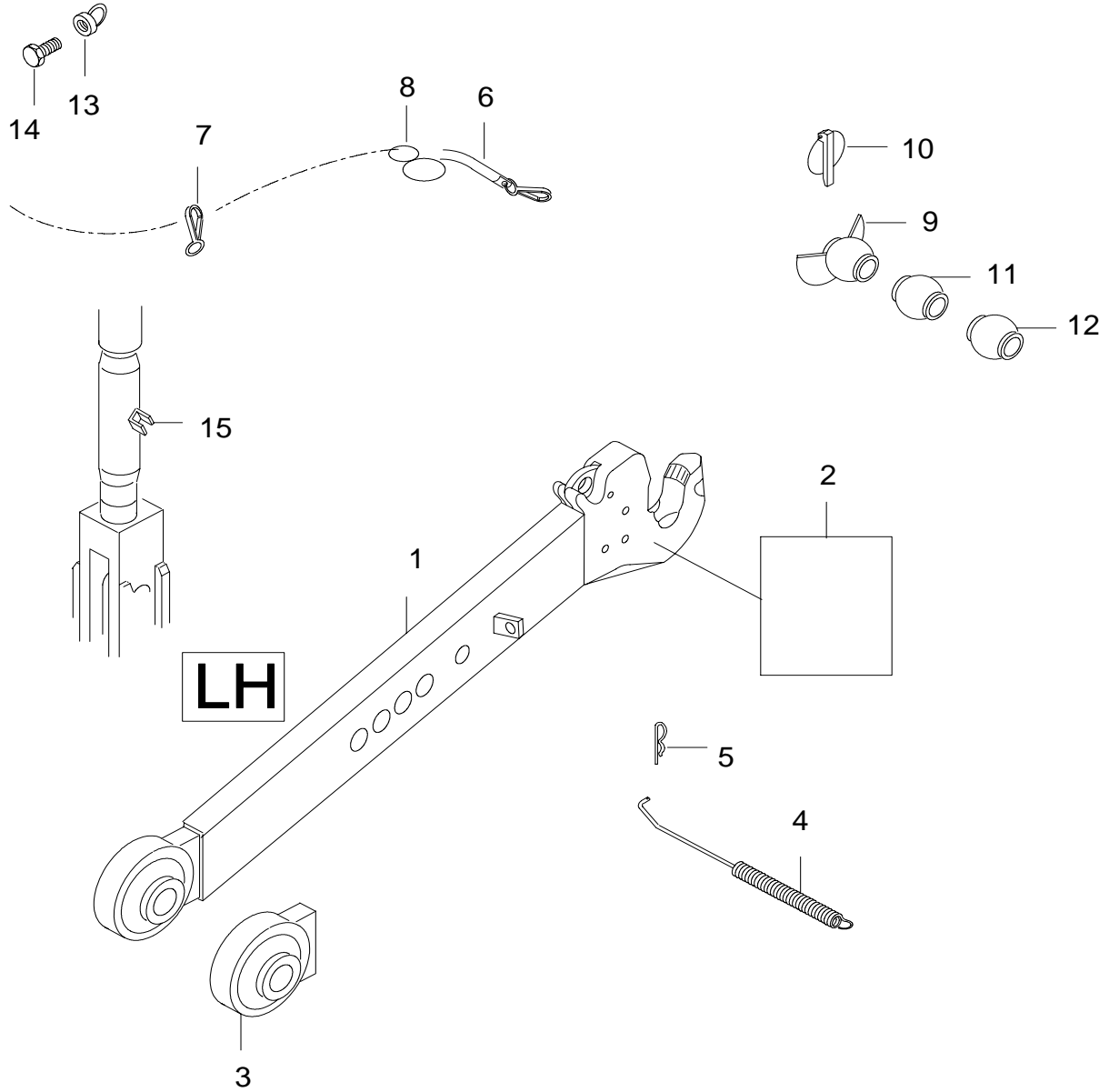
UNTERLENKER,
BALL-HITCH

BARRES
INFERIEURES BALL-
HITCH

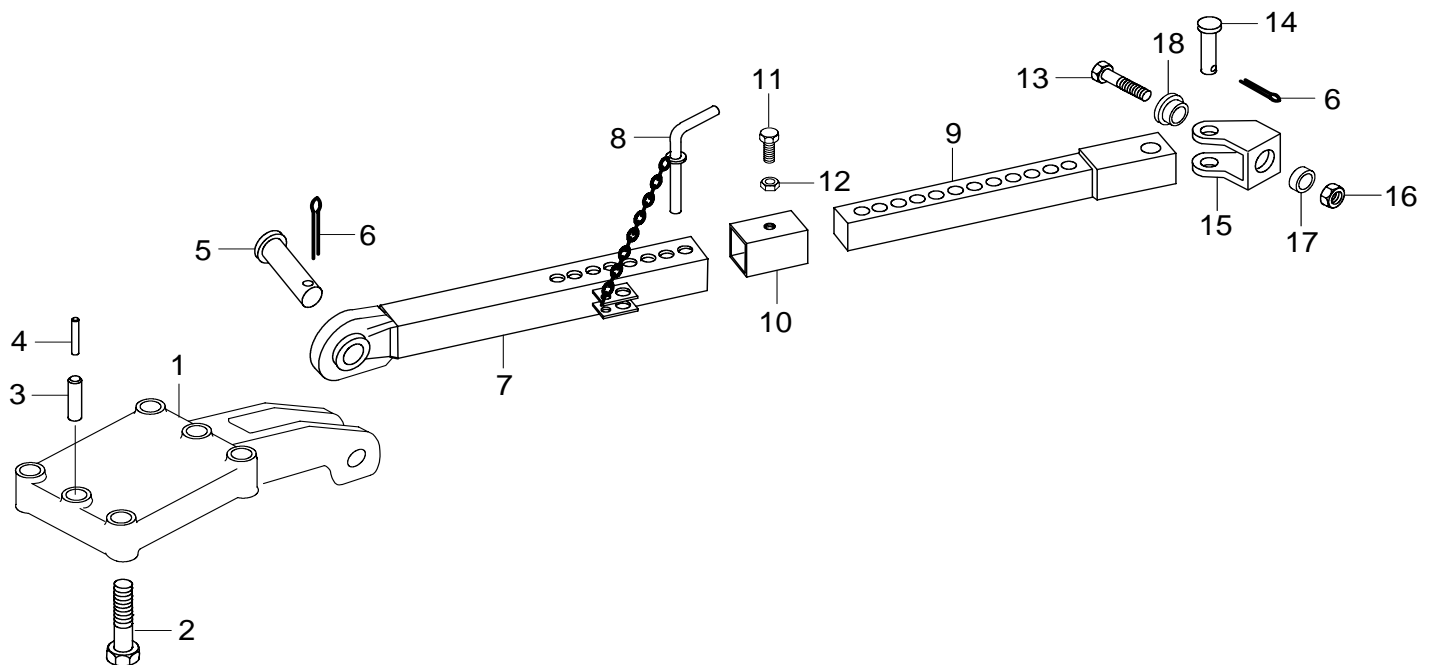
91-27

1.6.2007

T121c, T121h, T131c, T131h,
T151eh, T151eLS, T161c, T161h,
T161LS, T171c, T171h, T171LS,
T191h, T191LS



1.6.2007

T121c, T121h, T131c, T131h,
T151eh, T151eLS, T161c, T161h,
T161LS, T171c, T171h, T171LS,
T191h, T191LS

TYÖNTÖVARSI JA
PIDIN

TOPPSTÅNG OCH
HÅLLARE

TOP LINK AND
BRACKET

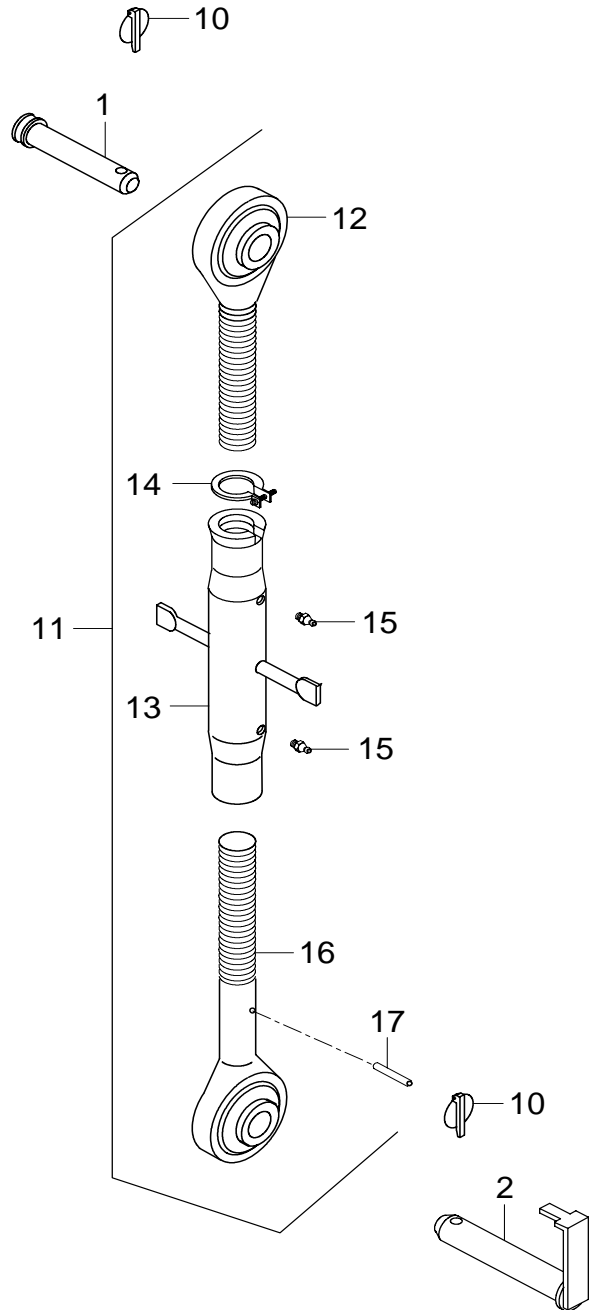
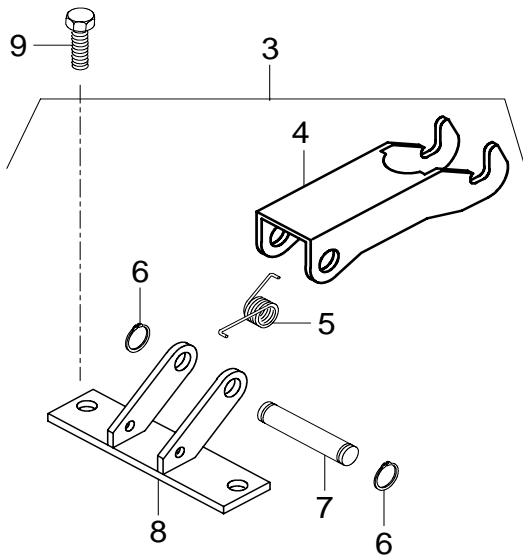
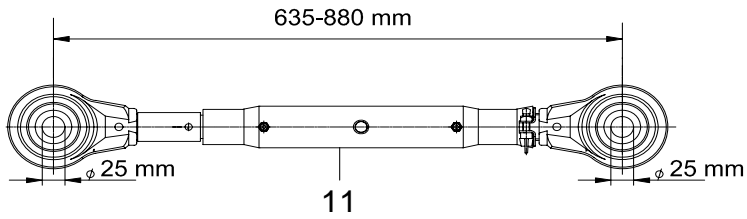
OBERLENKER UND
KLAMMER

BARRE SUPERIEURE
ET SUPPORT

91-31

1.6.2007

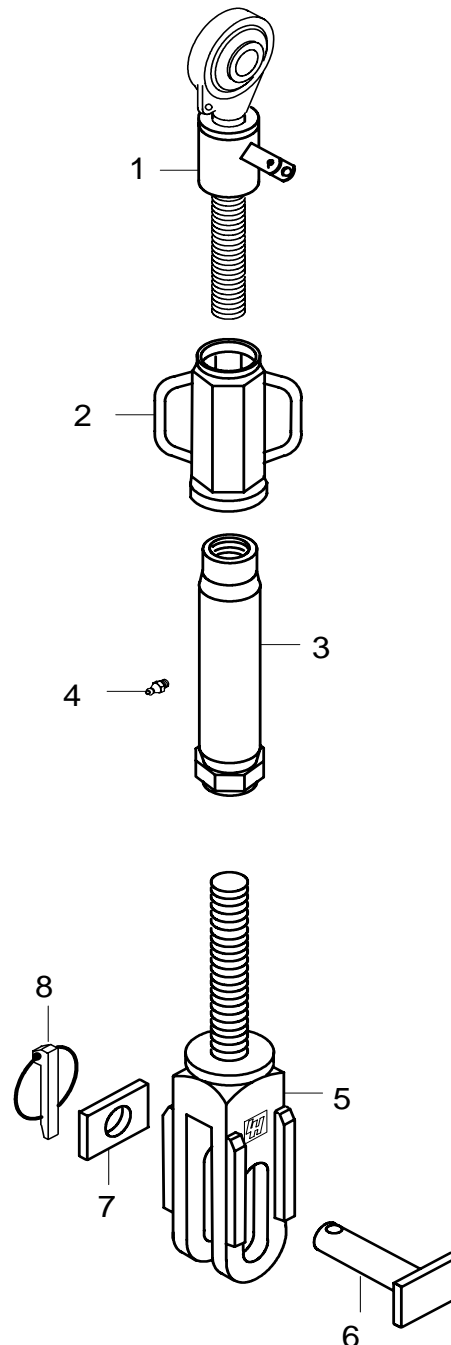
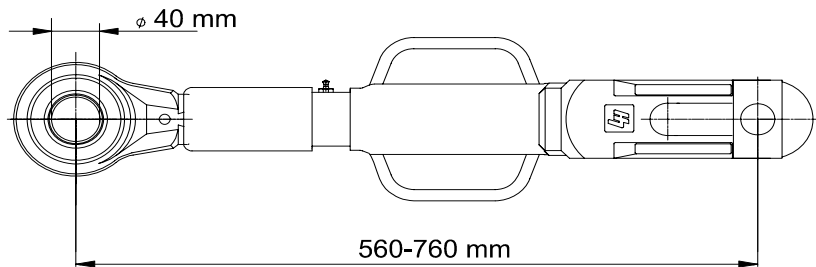
T121c, T121h, T131c, T131h,
T151eh, T151eLS, T161c, T161h,
T161LS, T171c, T171h, T171LS,
T191h, T191LS

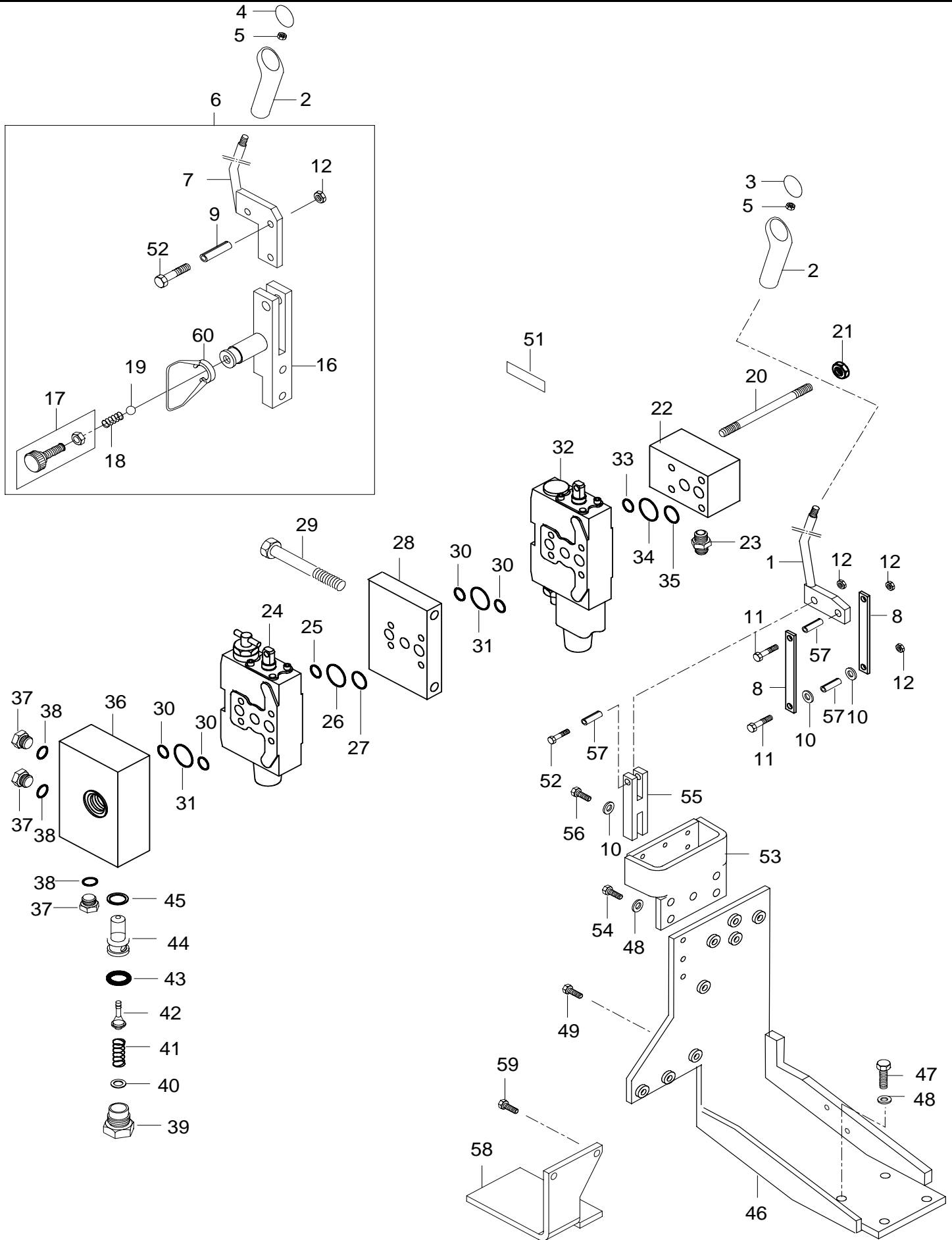


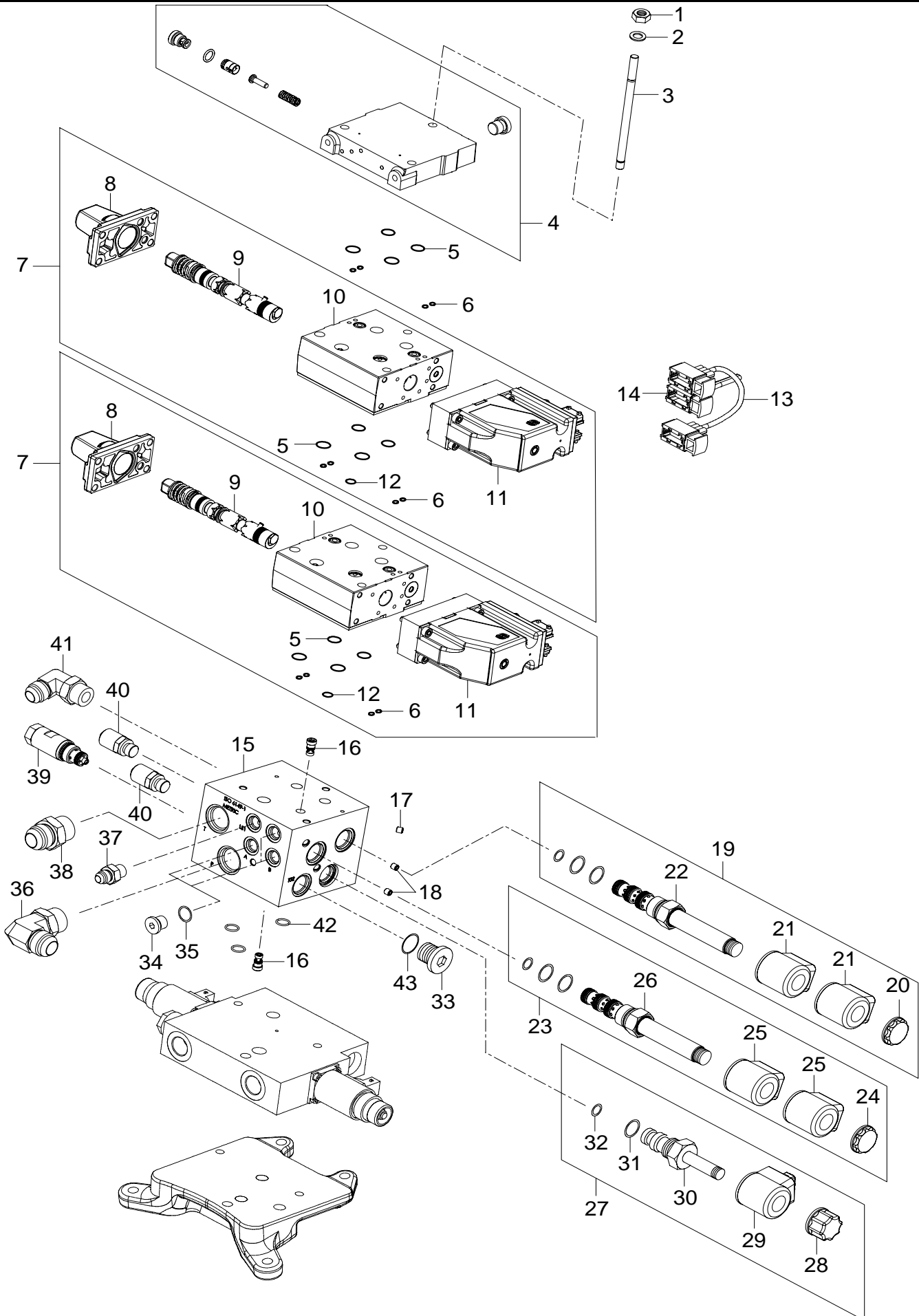
KALTEVUUSSÄÄDIN
JA NOSTOTANKOLYFTLÄNKSVÄXEL
OCH LYFTLÄNKLIFT LINK GEAR AND
LIFT LINKHEB.STANGE-
GETRIEBE UND
HEBESTANGEREGLAGE BRAS DE
LEVAGE, ET BRAS
DE LEVAGE

91-33

1.6.2007

T121c, T121h, T131c, T131h,
T151eh, T151eLS, T161c, T161h,
T161LS, T171c, T171h, T171LS,
T191h, T191LS





VETOLAITE
(LISÄVARUSTE)

DRAGANORDNING
(EXTRA
UTRUSTNING)

REAR HITCH
(OPTIONAL
EQUIPMENT)

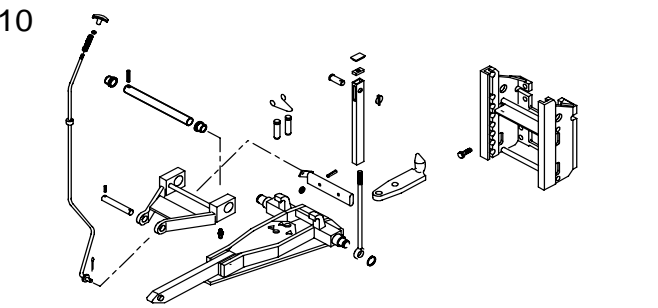
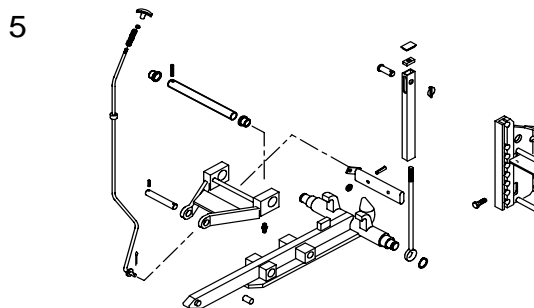
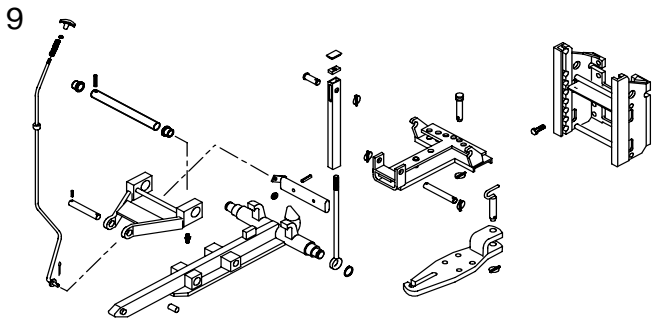
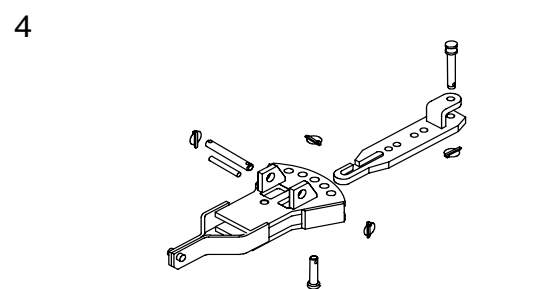
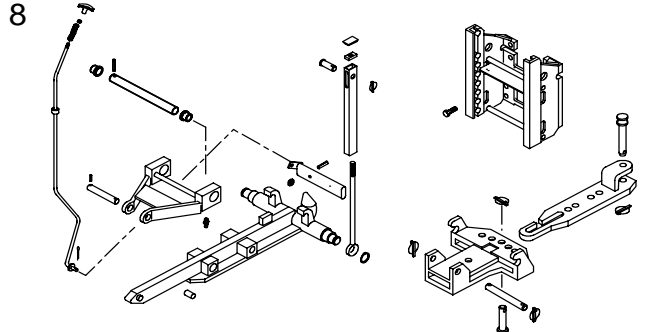
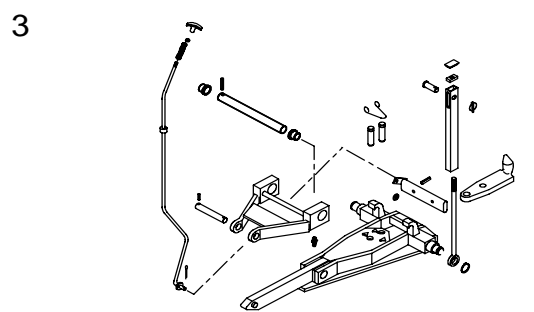
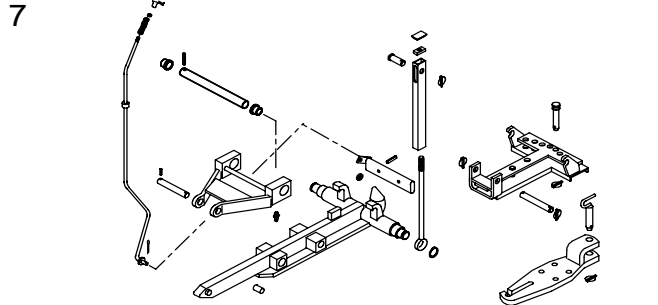
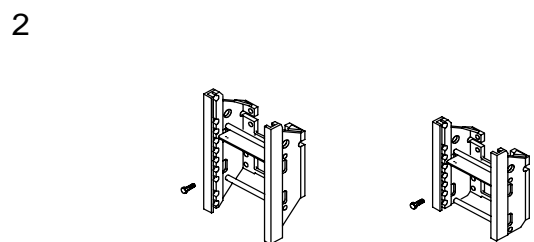
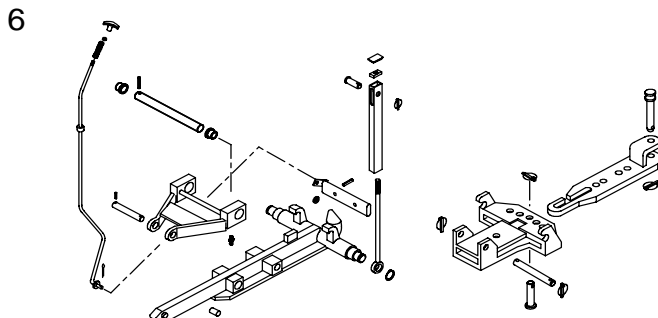
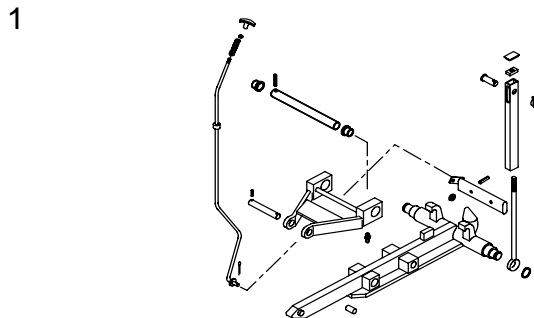
ANTRIEBSANLAGE
(EXTRA ZUBEHÖR)

CROCHET ARRIERE
(EQUIPEMENT
OPTIONNEL)

99-01

1.6.2007

T121c, T121h, T131c, T131h,
T151eh, T151eLS, T161c, T161h,
T161LS, T171c, T171h, T171LS,
T191h, T191LS



VETOLAITE
(LISÄVARUSTE)

DRAGANORDNING
(EXTRA
UTRUSTNING)

REAR HITCH
(OPTIONAL
EQUIPMENT)

ANTRIEBSANLAGE
(EXTRA ZUBEHÖR)

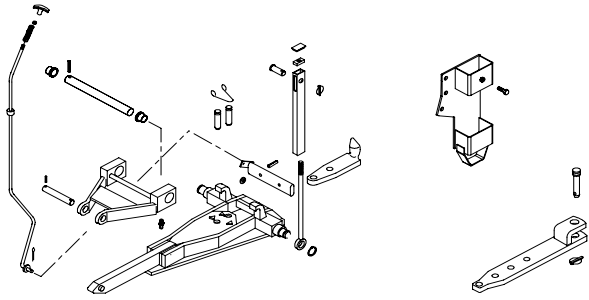
CROCHET ARRIERE
(EQUIPEMENT
OPTIONNEL)

99-03

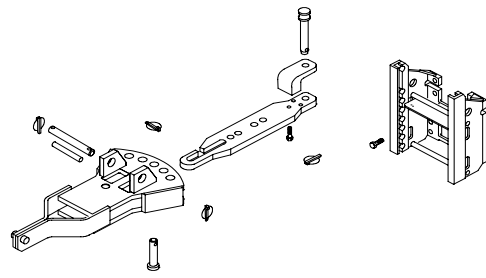
1.6.2007

T121c, T121h, T131c, T131h,
T151eh, T151eLS, T161c, T161h,
T161LS, T171c, T171h, T171LS,
T191h, T191LS

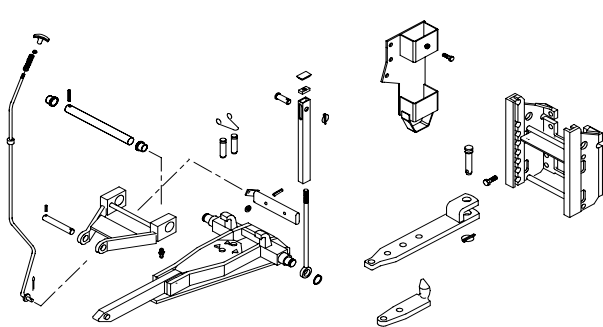
11



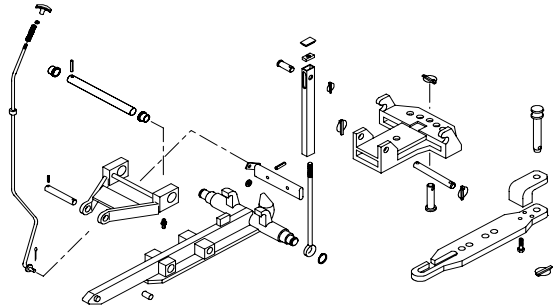
18



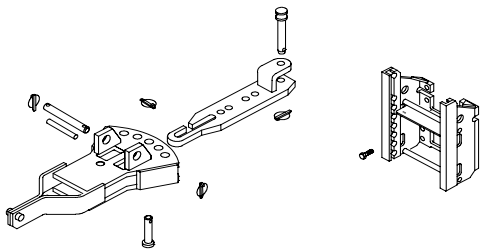
12



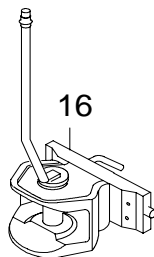
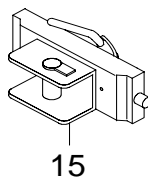
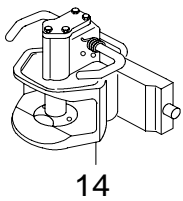
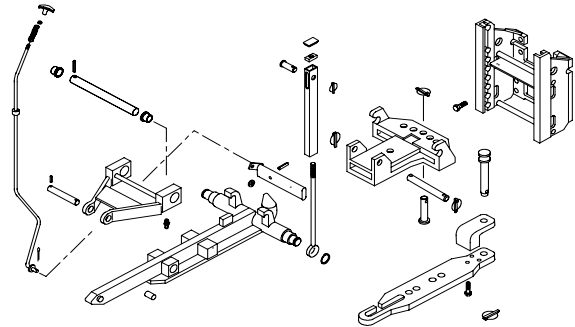
19



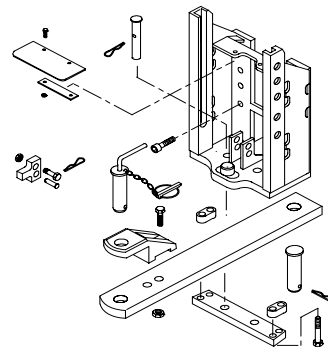
13



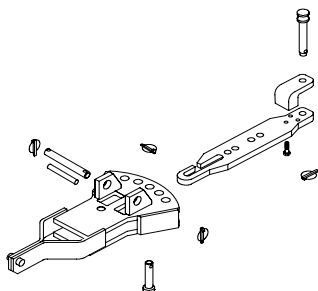
20



21



17



VETOLAITE RUOTSI
(LISÄVARUSTE)

DRAGANORDNING
SVERIGE (EXTRA
UTRUSTNING)

REAR HITCH
SWEDEN (OPTIONAL
EQUIPMENT)

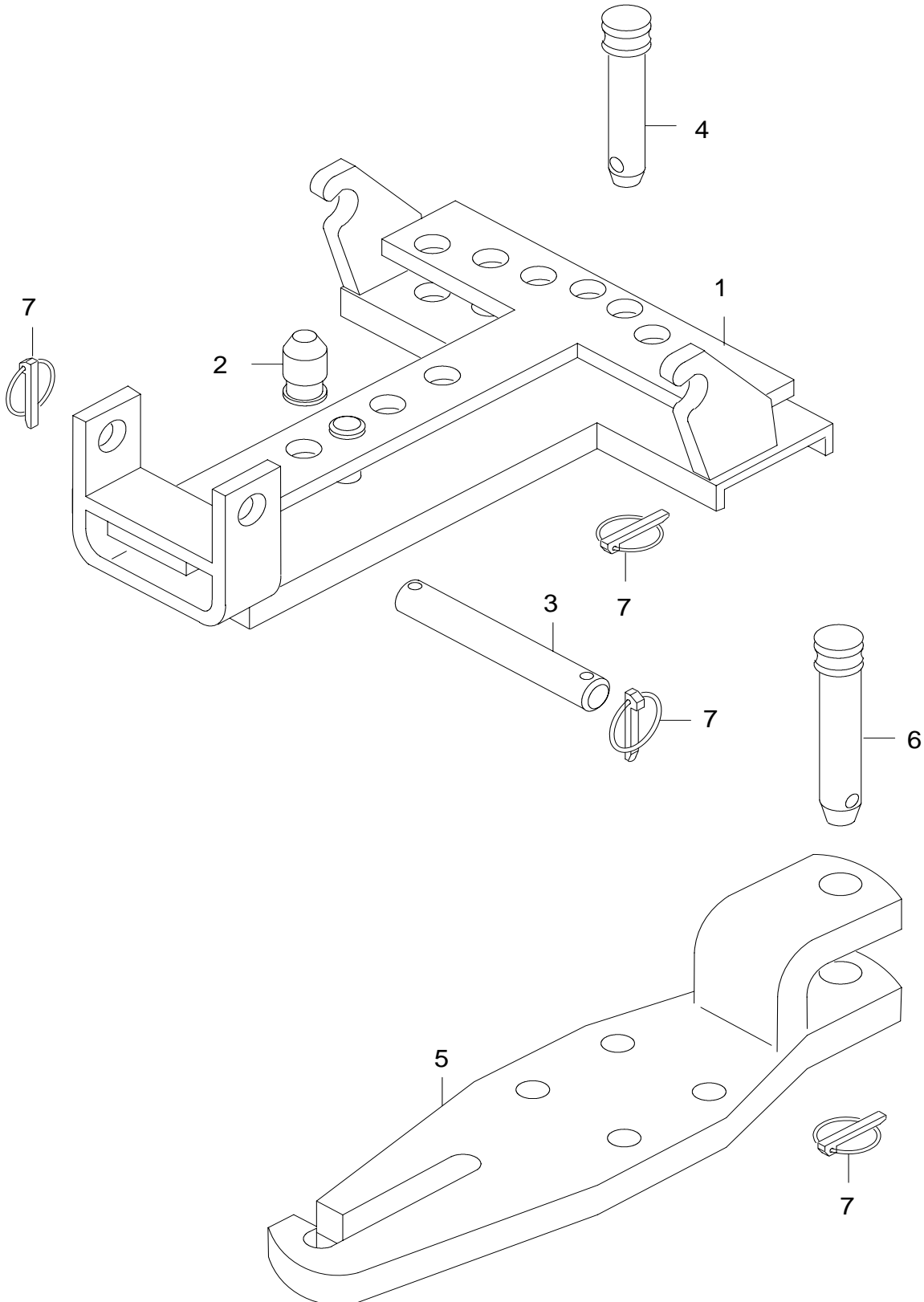
ANTRIEBSANLAGE
SCHWEDEN (EXTRA
ZUBEHÖR)

CROCHET ARRIERE
SUEDE (EQUIPEMENT
OPTIONNEL)

99-05

1.6.2007

T121c, T121h, T131c, T131h,
T151eh, T151eLS, T161c, T161h,
T161LS, T171c, T171h, T171LS,
T191h, T191LS



VETOLAITE
(LISÄVARUSTE)

DRAGANORDNING
(EXTRA
UTRUSTNING)

REAR HITCH
(OPTIONAL
EQUIPMENT)

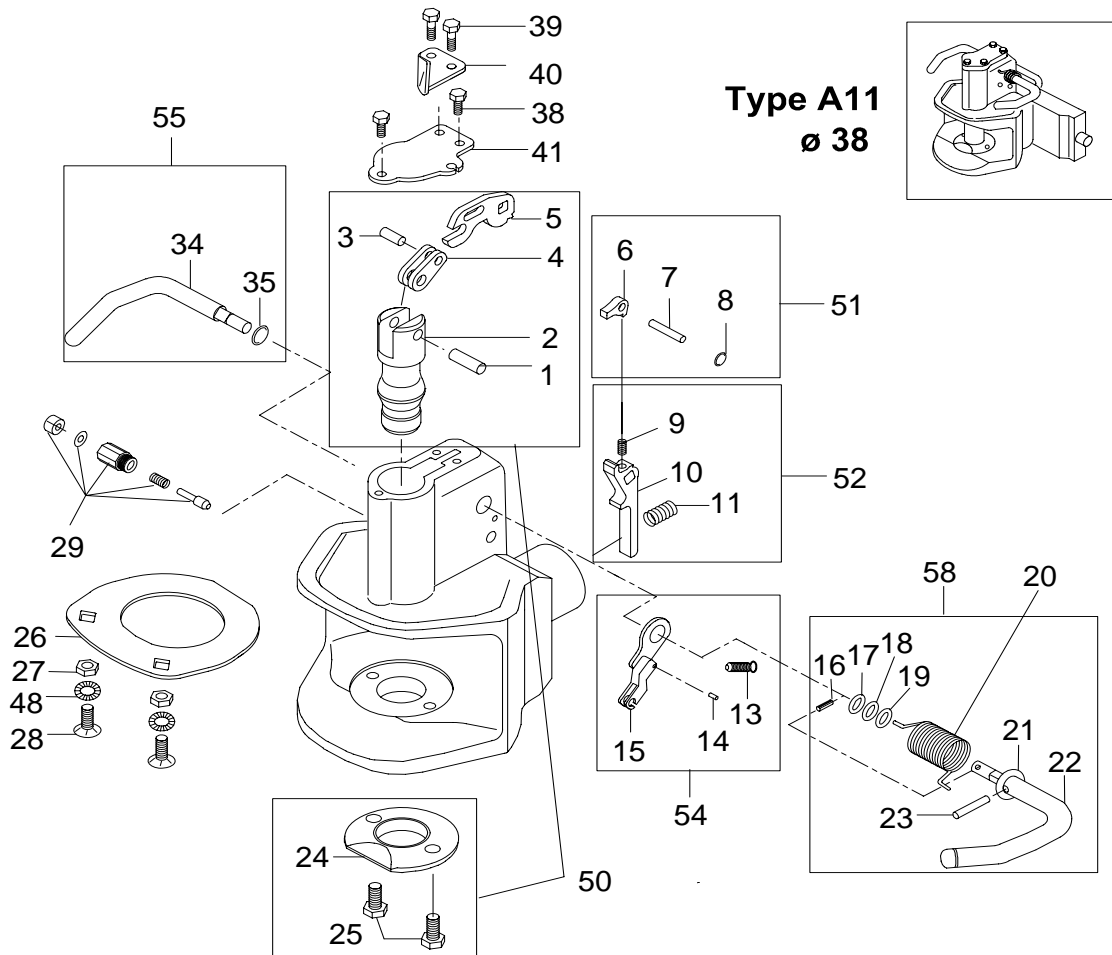
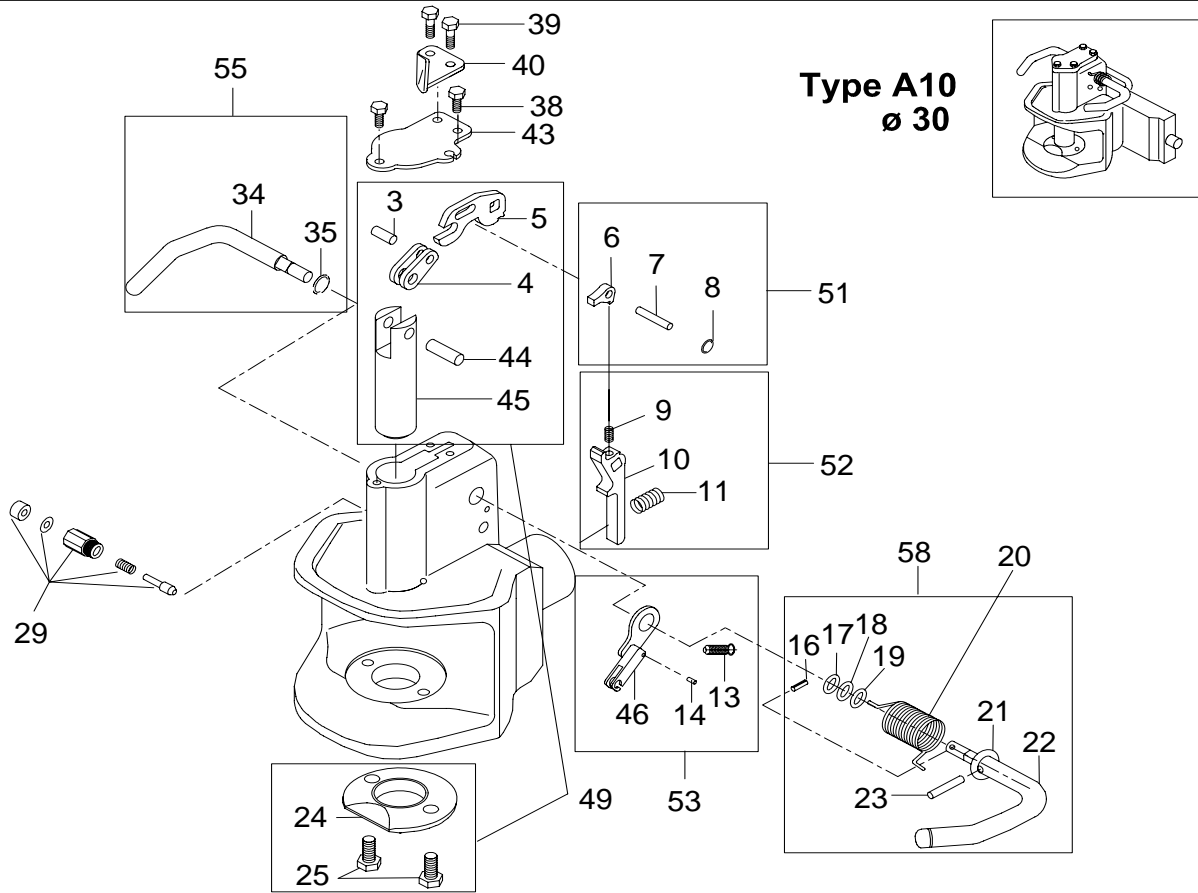
ANHÄNGE-
VORRICHTUNG
(EXTRA ZUBEHÖR)

CROCHET ARRIERE
(EQUIPEMENT
OPTIONNEL)

99-07

1.6.2007

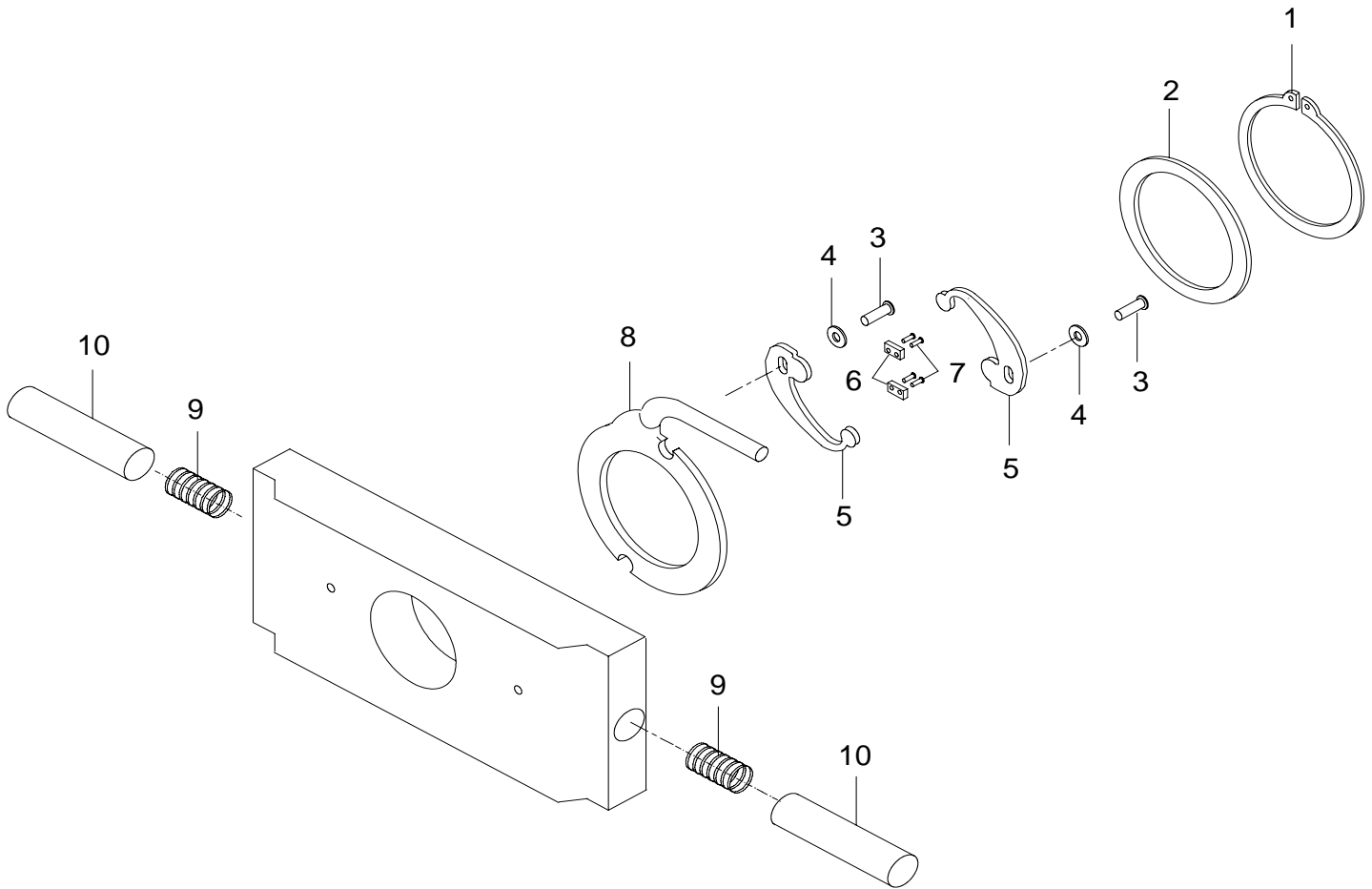
T121c, T121h, T131c, T131h,
T151eh, T151eLS, T161c, T161h,
T161LS, T171c, T171h, T171LS,
T191h, T191LS



VETOLAITE
(LISÄVARUSTE)DRAGANORDNING
(EXTRA
UTRUSTNING)REAR HITCH
(OPTIONAL
EQUIPMENT)ANHÄNGE-
VORRICHTUNG
(EXTRA ZUBEHÖR)CROCHET ARRIERE
(EQUIPEMENT
OPTIONNEL)

99-09

1.6.2007

T121c, T121h, T131c, T131h,
T151eh, T151eLS, T161c, T161h,
T161LS, T171c, T171h, T171LS,
T191h, T191LS

VETOLAITE
(LISÄVARUSTE)

DRAGANORDNING
(EXTRA
UTRUSTNING)

REAR HITCH
(OPTIONAL
EQUIPMENT)

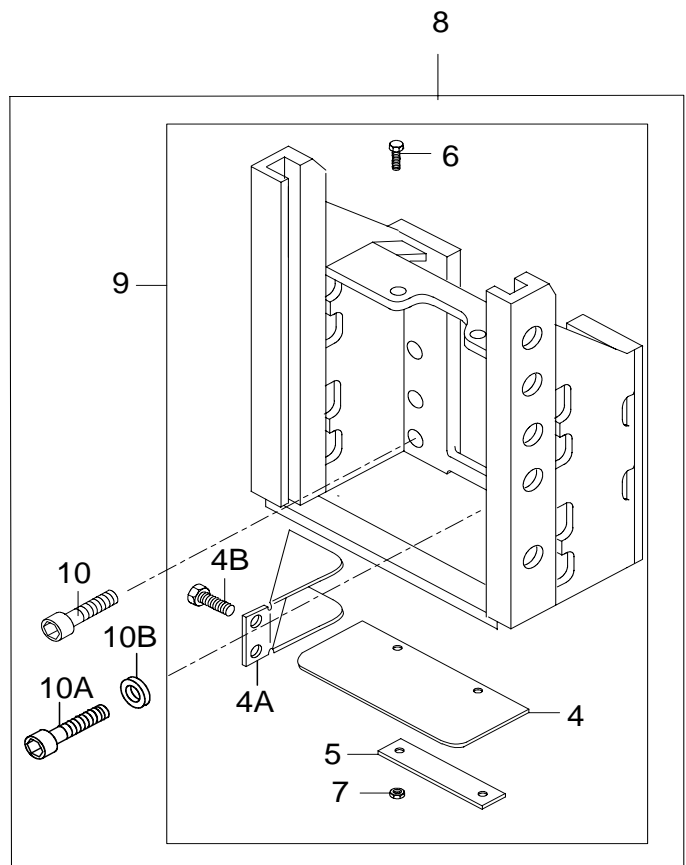
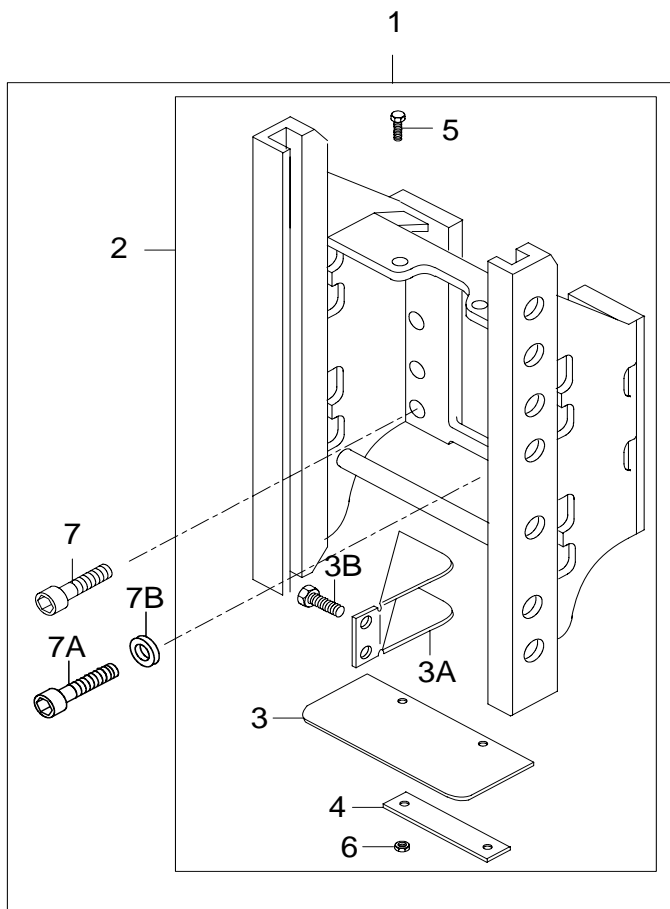
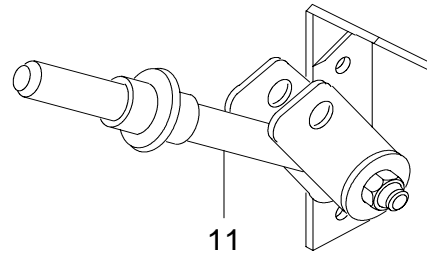
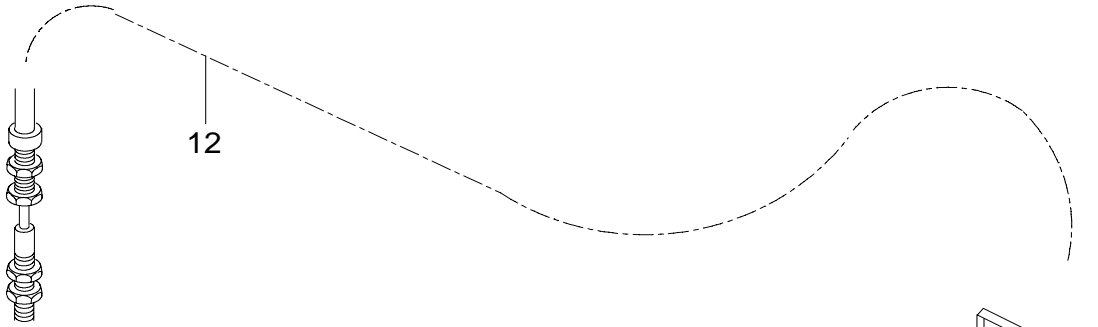
ANHÄNGE-
VORRICHTUNG
(EXTRA ZUBEHÖR)

CROCHET ARRIERE
(EQUIPEMENT
OPTIONNEL)

99-11

1.6.2007

T121c, T121h, T131c, T131h,
T151eh, T151eLS, T161c, T161h,
T161LS, T171c, T171h, T171LS,
T191h, T191LS



VETOLAITE
(LISÄVARUSTE)

DRAGANORDNING
(EXTRA
UTRUSTNING)

REAR HITCH
(OPTIONAL
EQUIPMENT)

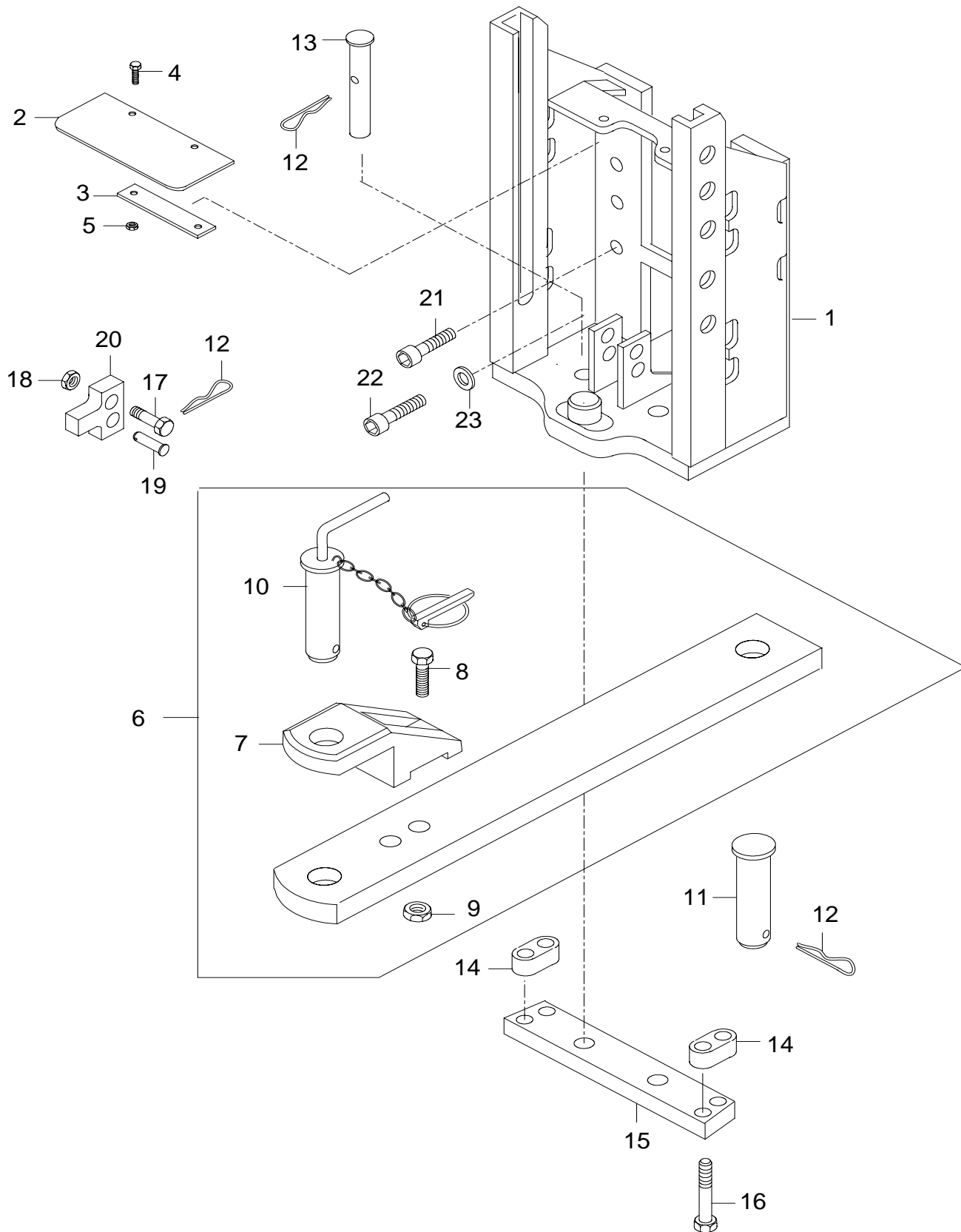
ANHÄNGE-
VORRICHTUNG
(EXTRA ZUBEHÖR)

CROCHET ARRIERE
(EQUIPEMENT
OPTIONNEL)

99-13

1.6.2007

T121c, T121h, T131c, T131h,
T151eh, T151eLS, T161c, T161h,
T161LS, T171c, T171h, T171LS,
T191h, T191LS



VETOLAITE
(LISÄVARUSTE)

DRAGANORDNING
(EXTRA
UTRUSTNING)

REAR HITCH
(OPTIONAL
EQUIPMENT)

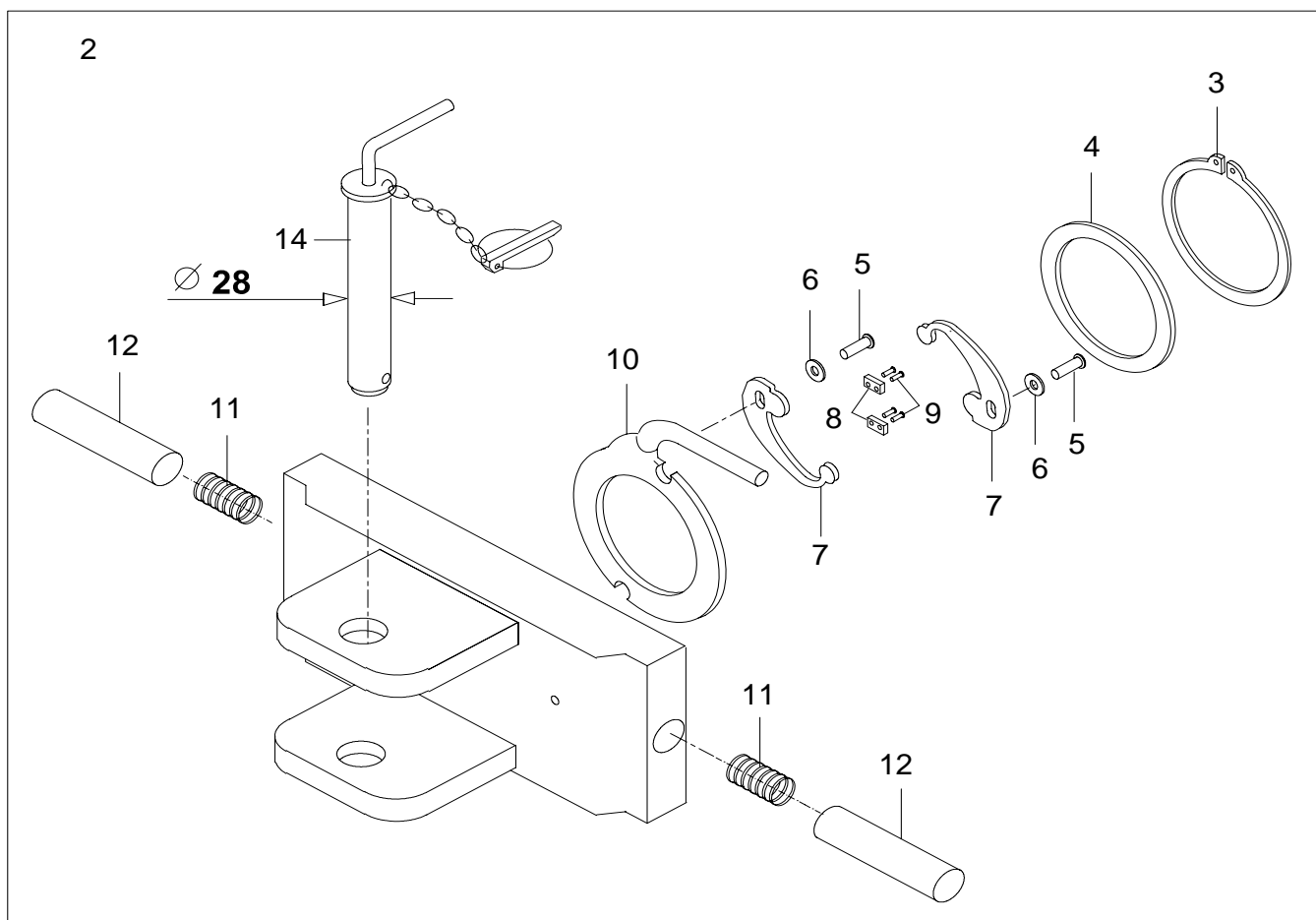
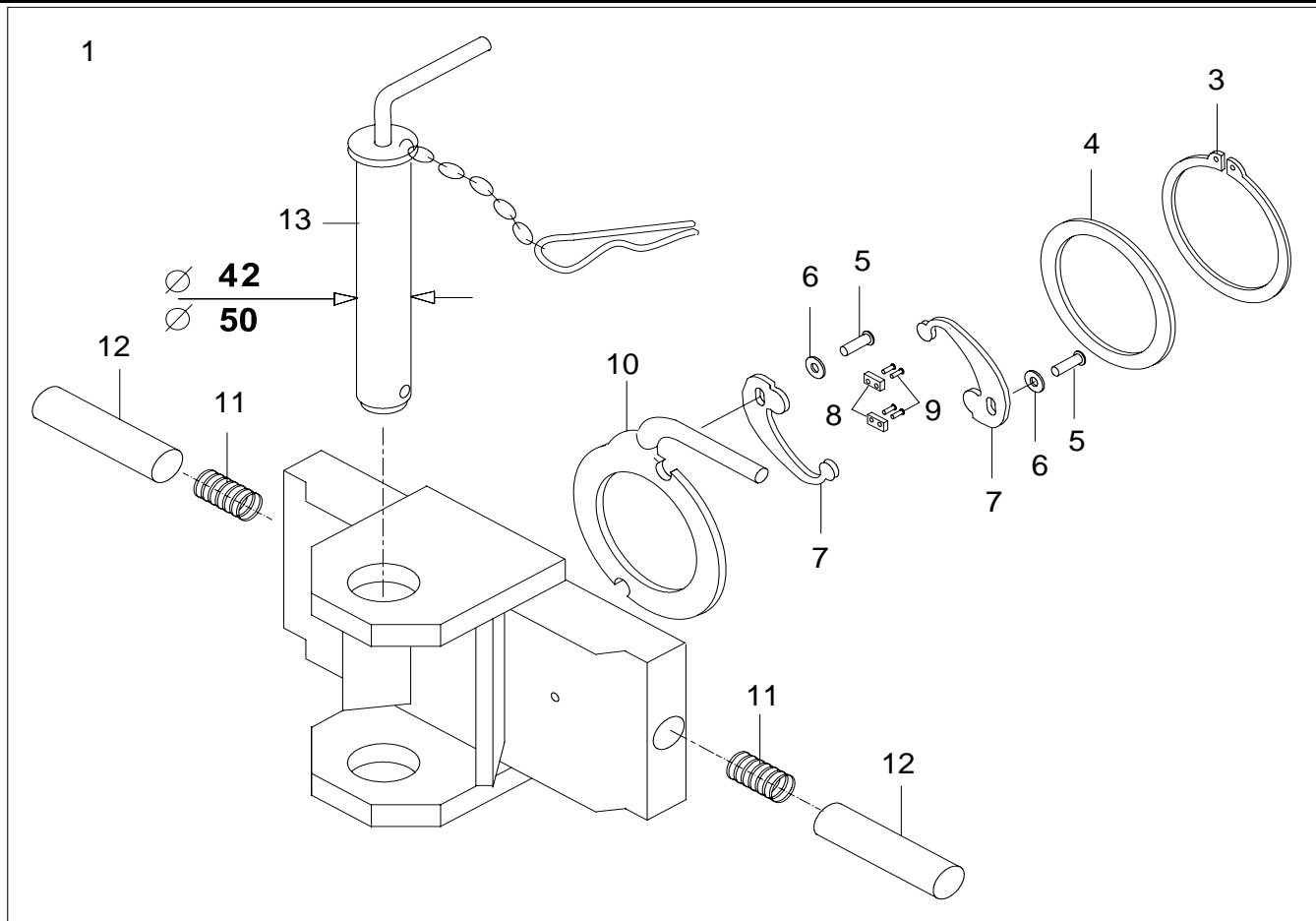
ANHÄNGE-
VORRICHTUNG
(EXTRA ZUBEHÖR)

CROCHET ARRIERE
(EQUIPEMENT
OPTIONNEL)

99-15

1.6.2007

T121c, T121h, T131c, T131h,
T151eh, T151eLS, T161c, T161h,
T161LS, T171c, T171h, T171LS,
T191h, T191LS



VETOLAITE
(LISÄVARUSTE)

DRAGANORDNING
(EXTRA
UTRUSTNING)

REAR HITCH
(OPTIONAL
EQUIPMENT)

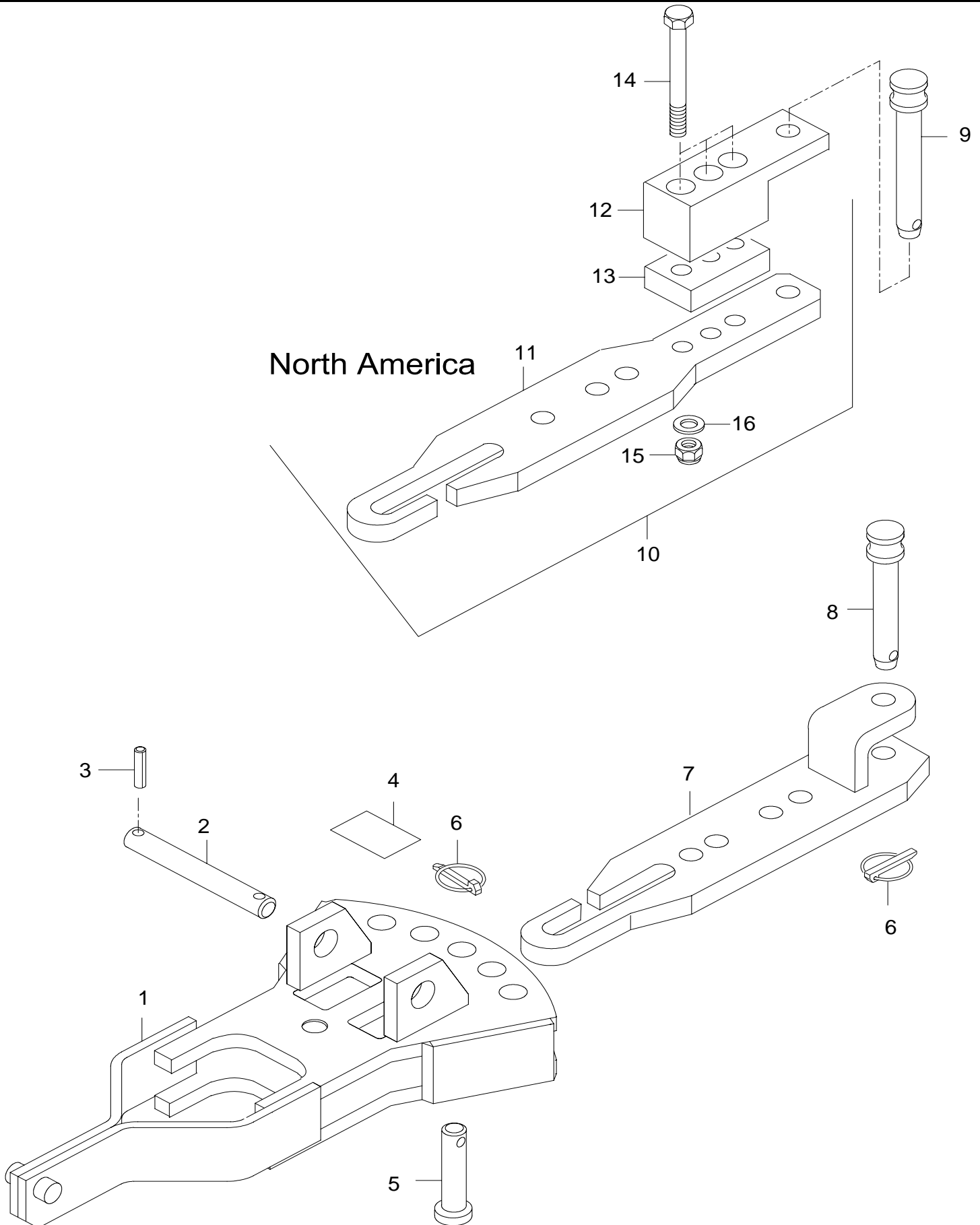
ANTRIEBSANLAGE
(EXTRA ZUBEHÖR)

CROCHET ARRIERE
(EQUIPEMENT
OPTIONNEL)

99-17

1.6.2007

T121c, T121h, T131c, T131h,
T151eh, T151eLS, T161c, T161h,
T161LS, T171c, T171h, T171LS,
T191h, T191LS



VETOLAITE
(LISÄVARUSTE)

DRAGANORDNING
(EXTRA
UTRUSTNING)

REAR HITCH
(OPTIONAL
EQUIPMENT)

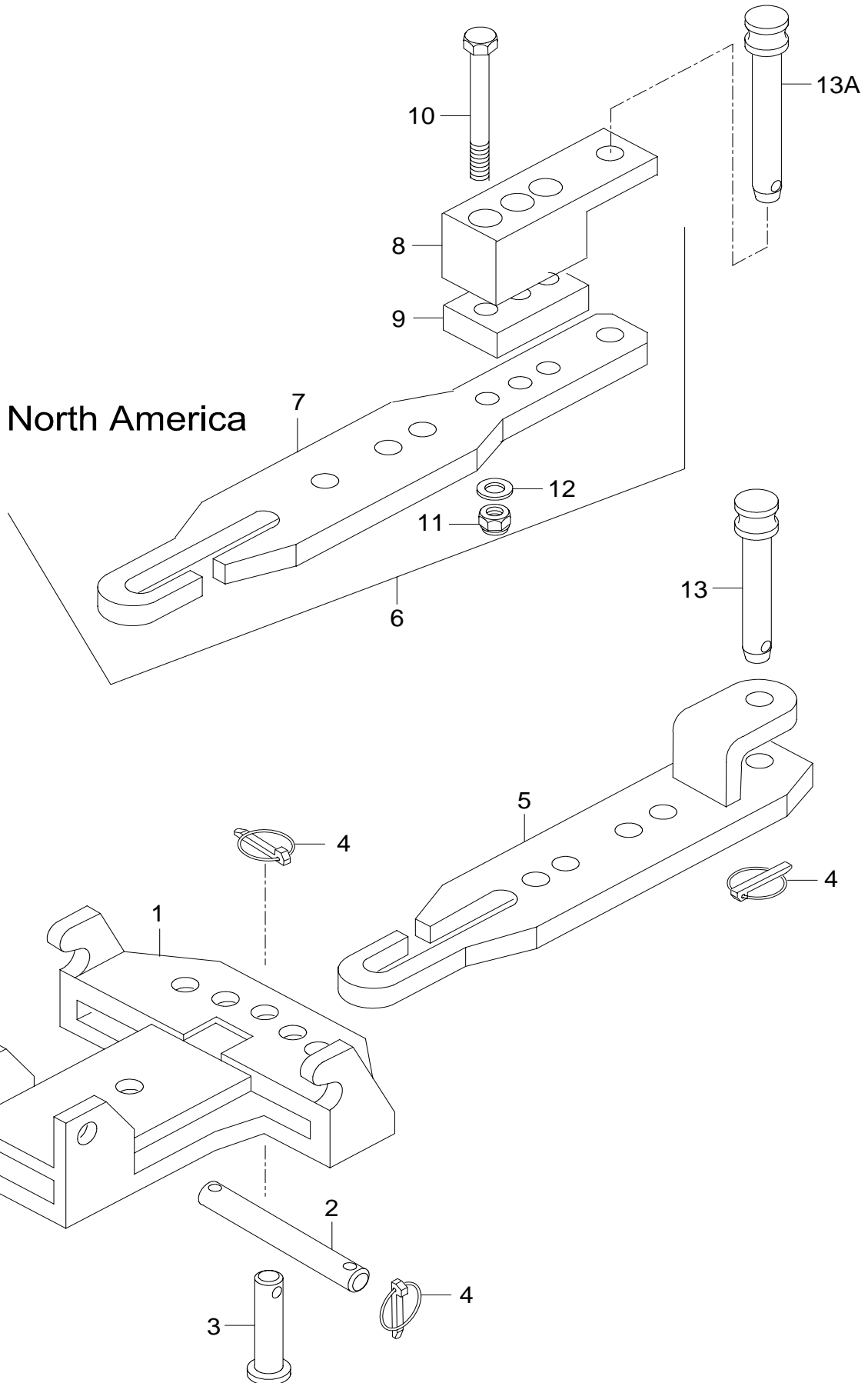
ANTRIEBSANLAGE
(EXTRA ZUBEHÖR)

CROCHET ARRIERE
(EQUIPEMENT
OPTIONNEL)

99-19

1.6.2007

T121c, T121h, T131c, T131h,
T151eh, T151eLS, T161c, T161h,
T161LS, T171c, T171h, T171LS,
T191h, T191LS



VETOKOUKKU EURO
(LISÄVARUSTE)

DRAGKROK EURO
(EXTRA
UTRUSTNING)

TRAILER HITCH
EURO (OPTIONAL
EQUIPMENT)

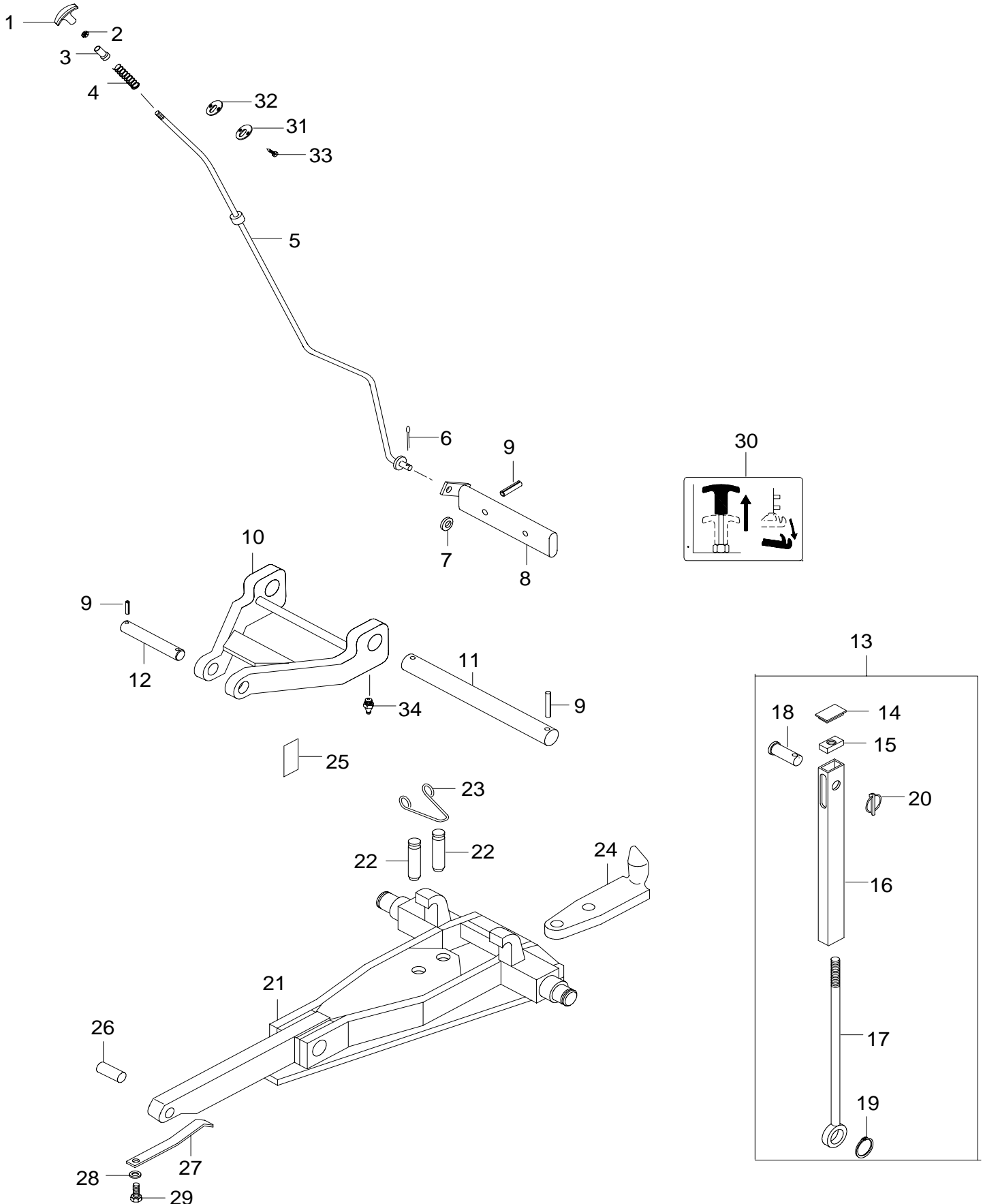
LASTHAKEN EURO
(EXTRA ZUBEHÖR)

CROCHET DE
REMORQUE EURO
(EQUIPEMENT
OPTIONNEL)

99-21

1.6.2007

T121c, T121h, T131c, T131h,
T151eh, T151eLS, T161c, T161h,
T161LS, T171c, T171h, T171LS,
T191h, T191LS



PUOMI
(LISÄVARUSTE)

BOM (EXTRA
UTRUSTNING)

BAR (OPTIONAL
EQUIPMENT)

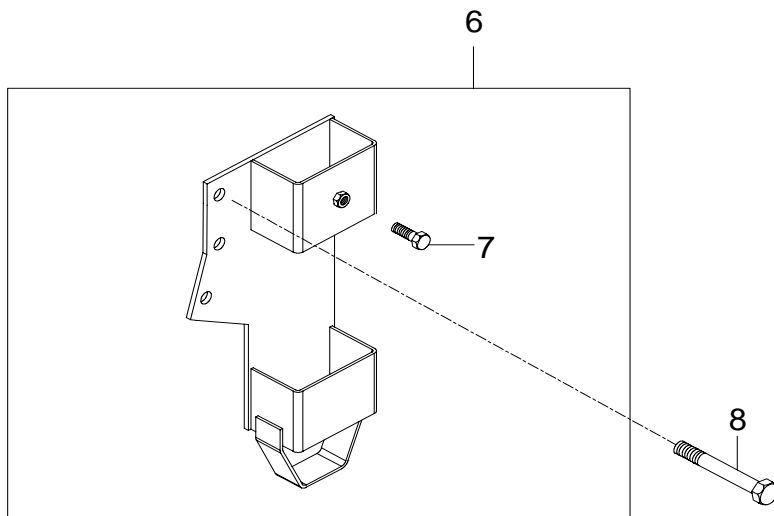
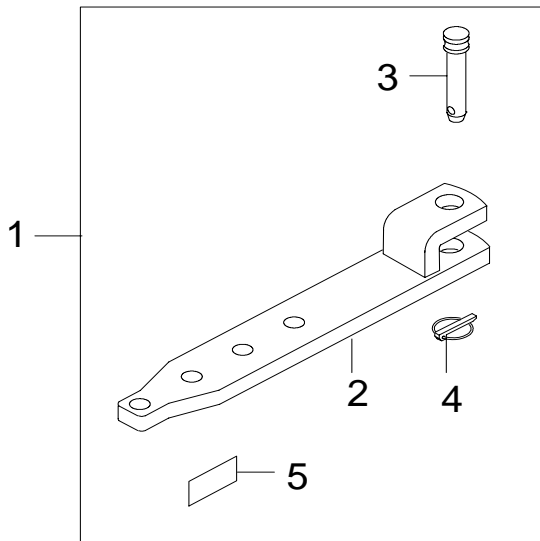
SCHRANKE (EXTRA
ZUBEHÖR)

BARRE
(EQUIPEMENT
OPTIONNEL)

99-23

1.6.2007

T121c, T121h, T131c, T131h,
T151eh, T151eLS, T161c, T161h,
T161LS, T171c, T171h, T171LS,
T191h, T191LS



VETOKOUKKU
(LISÄVARUSTE)

DRAGKROK (EXTRA
UTRUSTNING)

TRAILER HITCH
(OPTIONAL
EQUIPMENT)

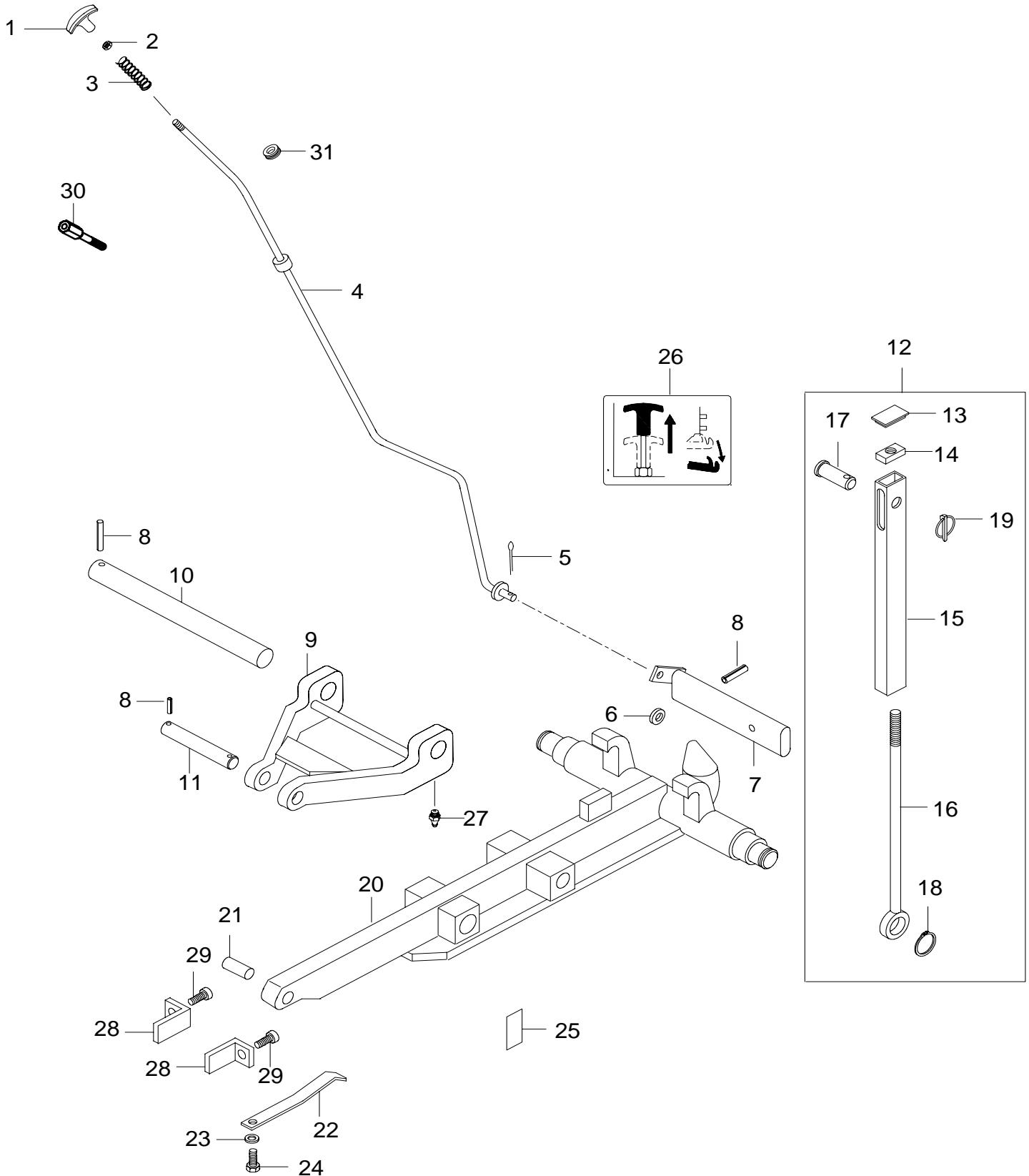
LASTHAKEN (EXTRA
ZUBEHÖR)

CROCHET DE
REMORQUE
(EQUIPEMENT
OPTIONNEL)

99-25

1.6.2007

T121c, T121h, T131c, T131h,
T151eh, T151eLS, T161c, T161h,
T161LS, T171c, T171h, T171LS,
T191h, T191LS



VETOKOUKKU
(LISÄVARUSTE)

DRAGKROK (EXTRA
UTRUSTNING)

TRAILER HITCH
(OPTIONAL
EQUIPMENT)

LASTHAKEN (EXTRA
ZUBEHÖR)

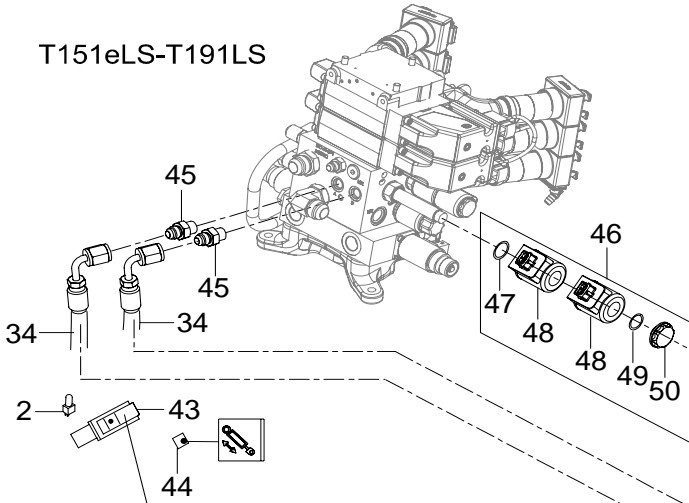
CROCHET DE
REMORQUE
(EQUIPEMENT
OPTIONNEL)

99-27

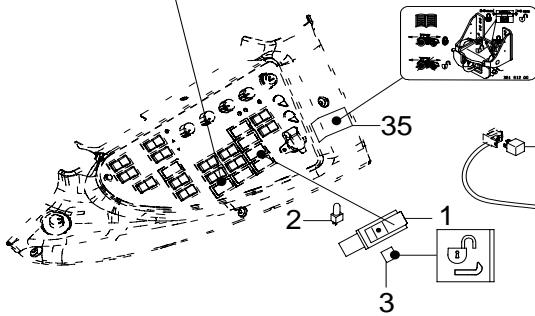
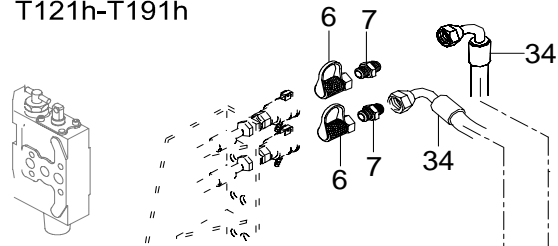
1.6.2007

T121h, T131h, T151eh, T151eLS,
T161h, T161LS, T171h, T171LS,
T191h, T191LS

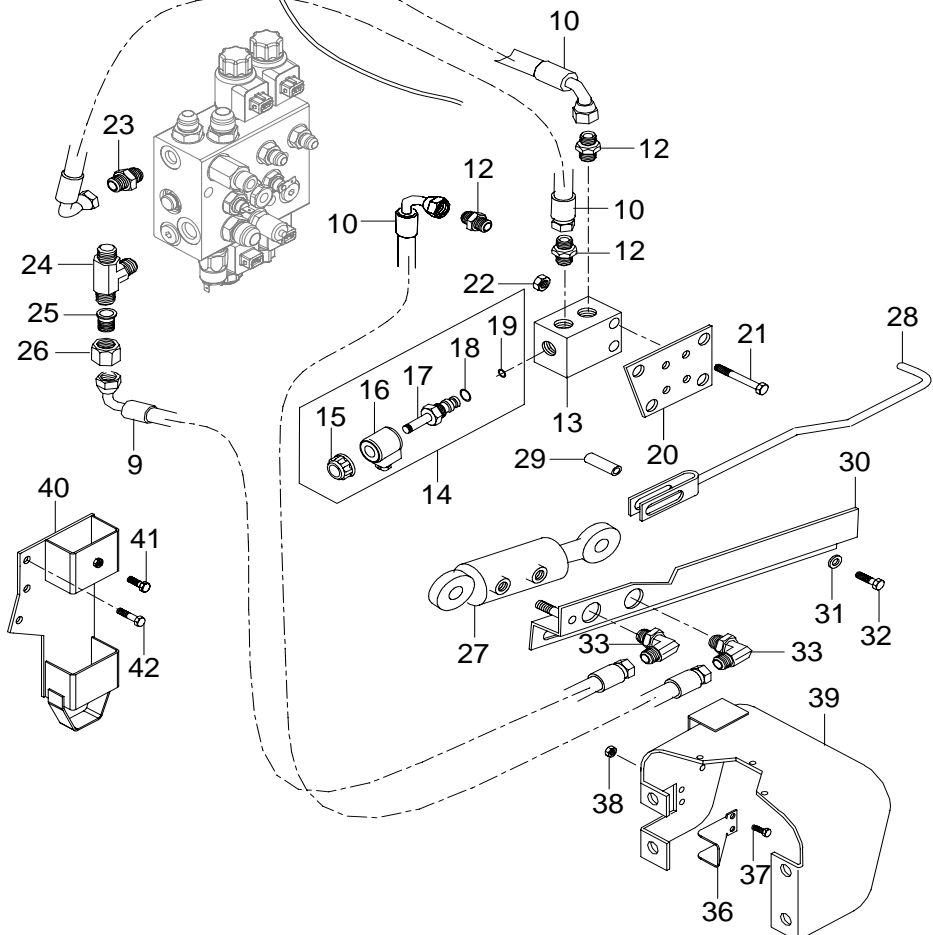
T151eLS-T191LS



T121h-T191h



Page 99-30
ref. 17



VETOKOUKKU
(LISÄVARUSTE)

DRAGKROK (EXTRA
UTRUSTNING)

TRAILER HITCH
(OPTIONAL
EQUIPMENT)

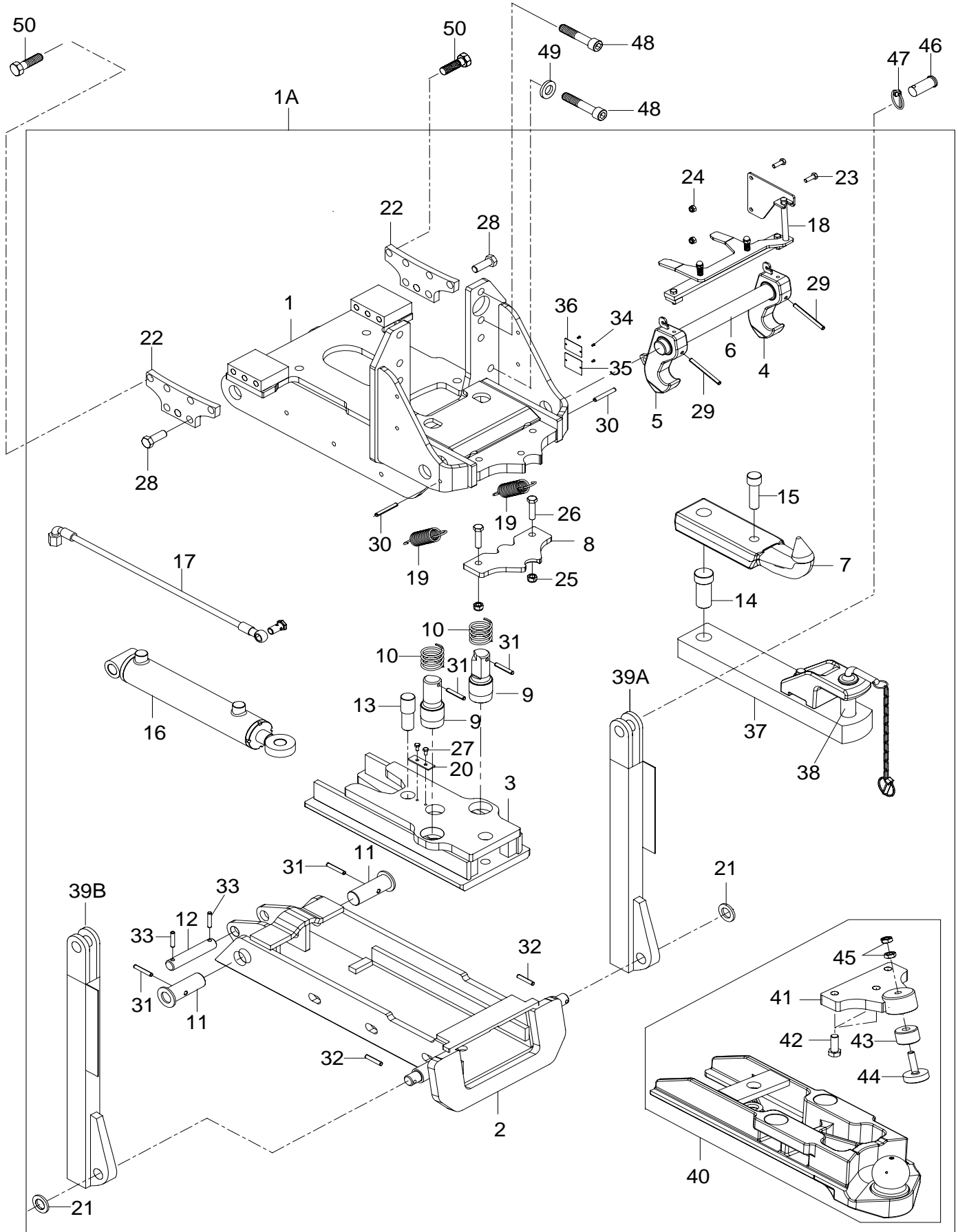
LASTHAKEN (EXTRA
ZUBEHÖR)

CROCHET DE
REMORQUE
(EQUIPEMENT
OPTIONNEL)

99-29

1.6.2007

T121h, T131h, T151eh, T151eLS,
T161h, T161LS, T171h, T171LS,
T191h, T191LS



VETOKOUKUN
VAPAUTTAJA, HYDR.
(LISÄVARUSTE)

DRAGKROGS
AVLÖSARE, HYDR.
(EXTRA
UTRUSTNING)

RELEASER OF
TRAILERHITCH,
HYDR. (OPTIONAL
EQUIPMENT)

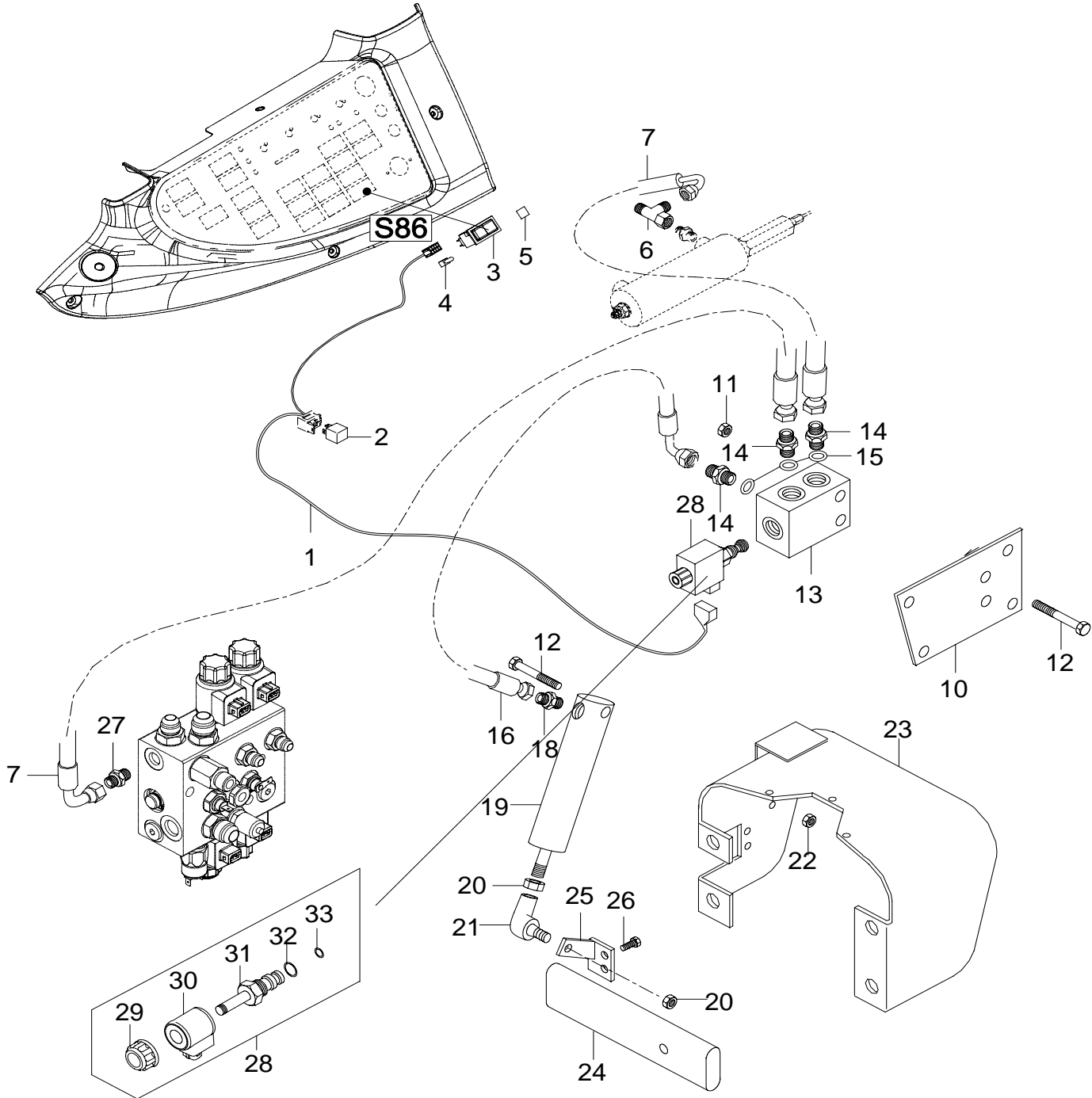
AUSLÖSER DER
HITCH, HYDR.(EXTRA
ZUBEHÖR)

DÉTACHEUR DE
CROCHET
REMORGUE, HYDR.
(EQUIPEMENT
OPTIONNEL)

99-31

1.6.2007

T121h, T131h, T151eh, T151eLS,
T161h, T161LS, T171h, T171LS,
T191h, T191LS



VETOKOUKUN
VAPAUTTAJA, HYDR.
(LISÄVARUSTE)

DRAGKROGS
AVLÖSARE, HYDR.
(EXTRA
UTRUSTNING)

RELEASER OF
TRAILERHITCH,
HYDR. (OPTIONAL
EQUIPMENT)

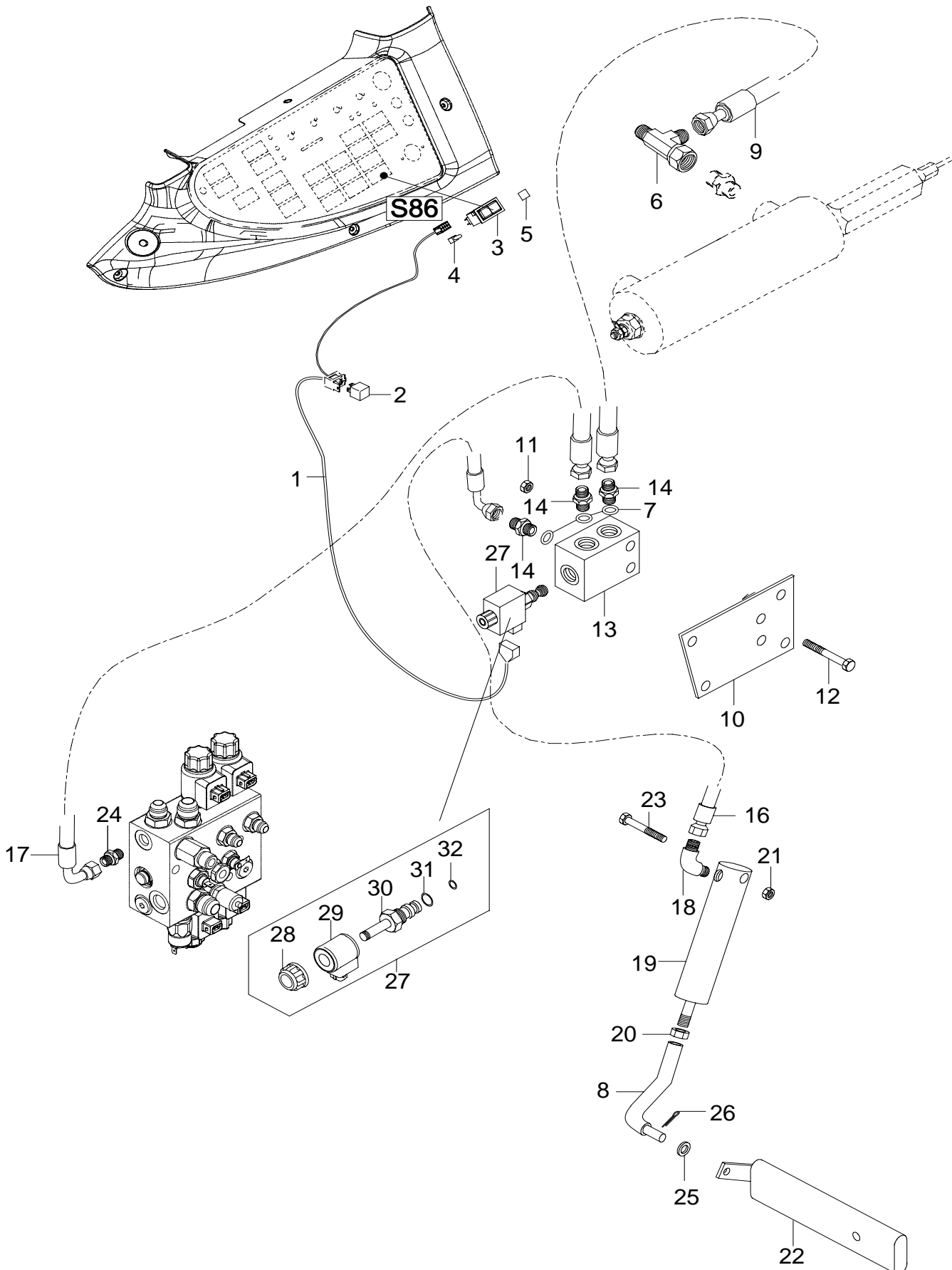
AUSLÖSER DER
HITCH, HYDR.(EXTRA
ZUBEHÖR)

DÉTACHEUR DE
CROCHET
REMORGUE, HYDR.
(EQUIPEMENT
OPTIONNEL)

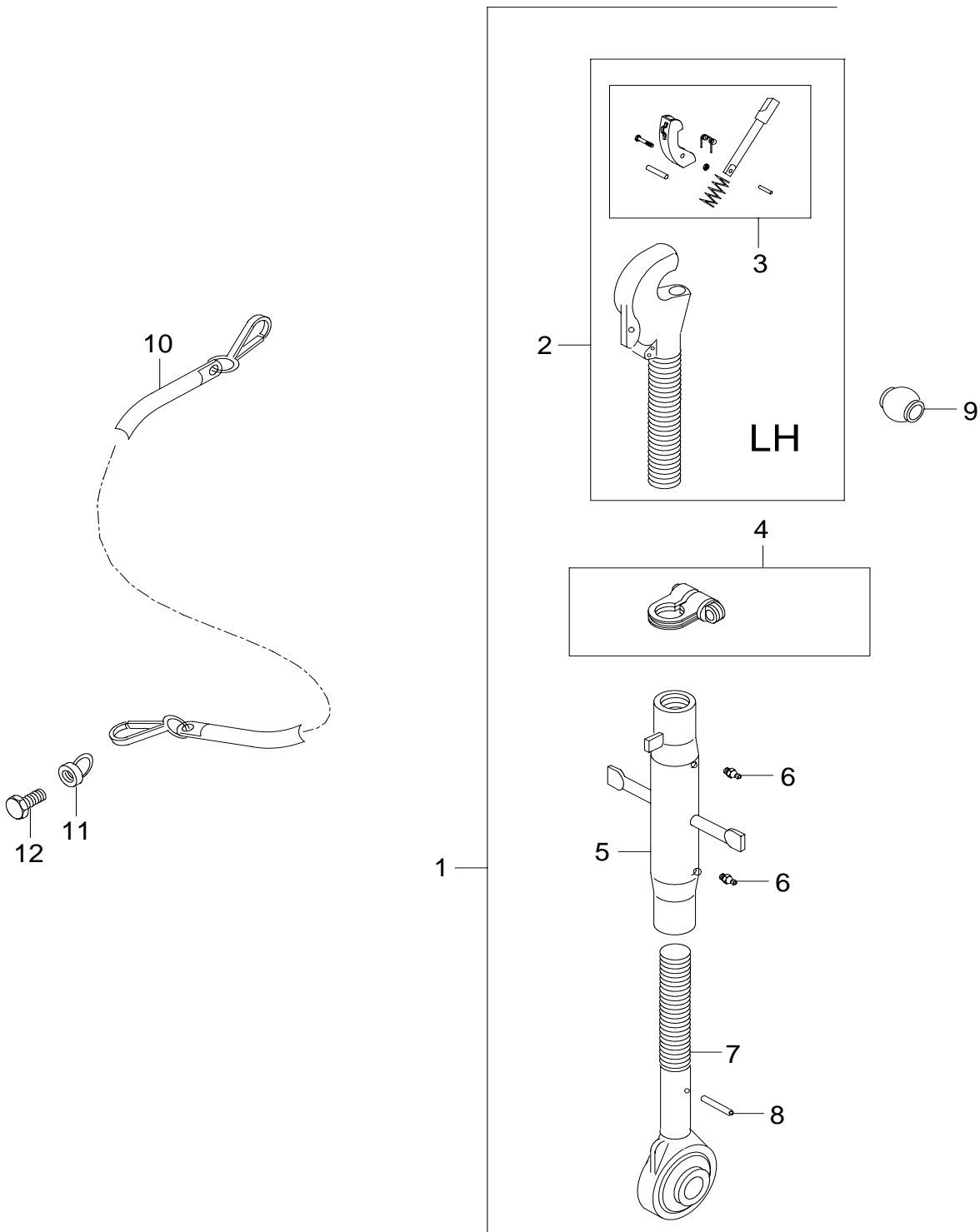
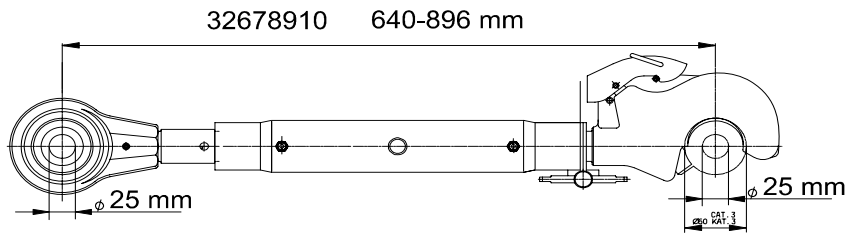
99-33

1.6.2007

T121h, T131h, T151eh, T151eLS,
T161h, T161LS, T171h, T171LS,
T191h, T191LS



| | | | | | |
|--|---|--|---|--|--|
| TYÖNTÖVARSI BALL- HITCH JA PIDIN (LISÄVARUSTE) | TOPPSTÅNG BALL- HITCH OCH HÅLLARE (EXTRA UTRUSTNING) | TOP LINK BALL- HITCH AND BRACKET (OPTIONAL EQUIPMENT) | OBERLENKER BALL- HITCH UND KLAMMER (EXTRA ZUBEHÖR) | BARRE SUPERIEURE BALL-HITCH ET SUPPORT (EQUIPEM. OPTIONNEL) | 99-35 1.6.2007 T121c, T121h, T131c, T131h, T151eh, T151eLS, T161c, T161h, T161LS, T171c, T171h, T171LS, T191h, T191LS |
|--|---|--|---|--|--|



HYDRAULINEN
TYÖNTÖVARSI
(LISÄVARUSTE)

HYDRAULISK
TOPPSTÅNG (EXTRA
UTRUSTNING)

HYDRAULIC TOP
LINK (OPTIONAL
EQUIPMENT)

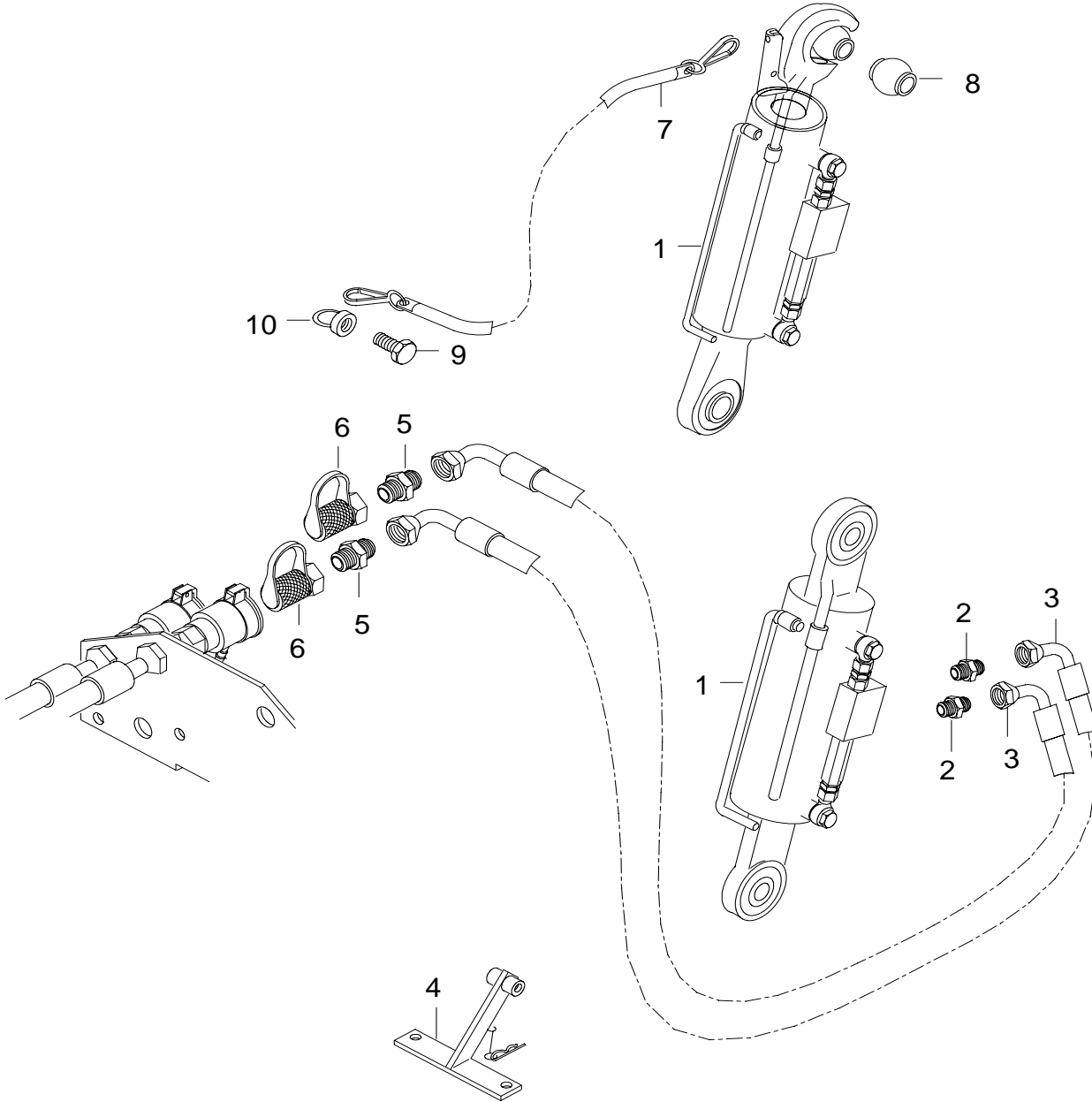
HYDRAULIK
OBERLENKER
(EXTRA ZUBEHÖR)

BARRE SUPERIEURE
HYDRAULIQUE
(EQUIPEM.
OPTIONNEL)

99-37

1.6.2007

T121c, T121h, T131c, T131h,
T151eh, T161c, T161h, T171c,
T171h, T191h



HYDRAULINEN
TYÖNTÖVARSI
(LISÄVARUSTE)

HYDRAULISK
TOPPSTÅNG (EXTRA
UTRUSTNING)

HYDRAULIC TOP
LINK (OPTIONAL
EQUIPMENT)

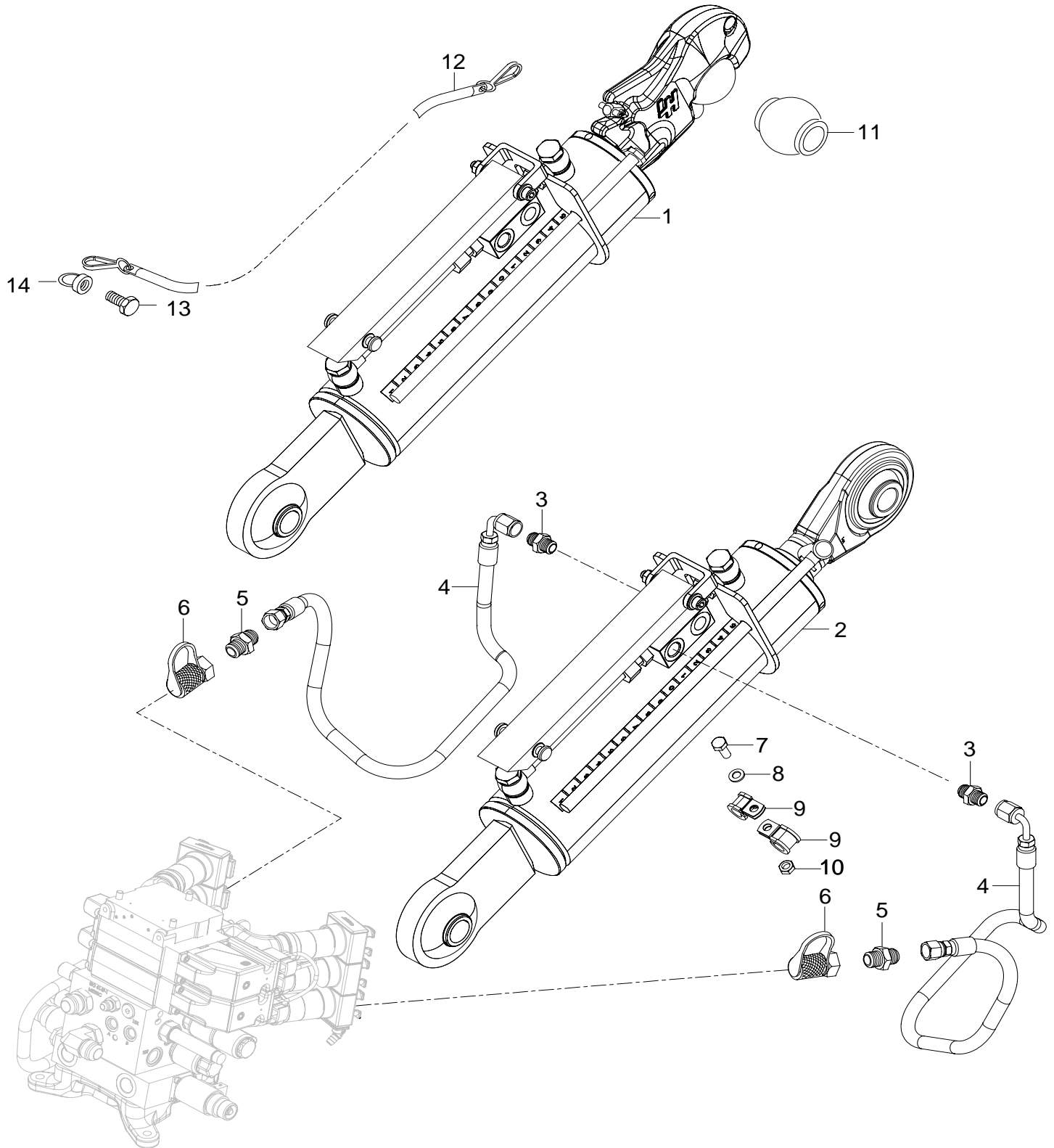
HYDRAULIK
OBERLENKER
(EXTRA ZUBEHÖR)

BARRE SUPERIEURE
HYDRAULIQUE
(EQUIPEM.
OPTIONNEL)

99-37A

1.6.2007

T151eLS, T161LS, T171LS,
T191LS



HYDRAULINEN
TYÖNTÖVARSI
(LISÄVARUSTE)

HYDRAULISK
TOPPSTÅNG (EXTRA
UTRUSTNING)

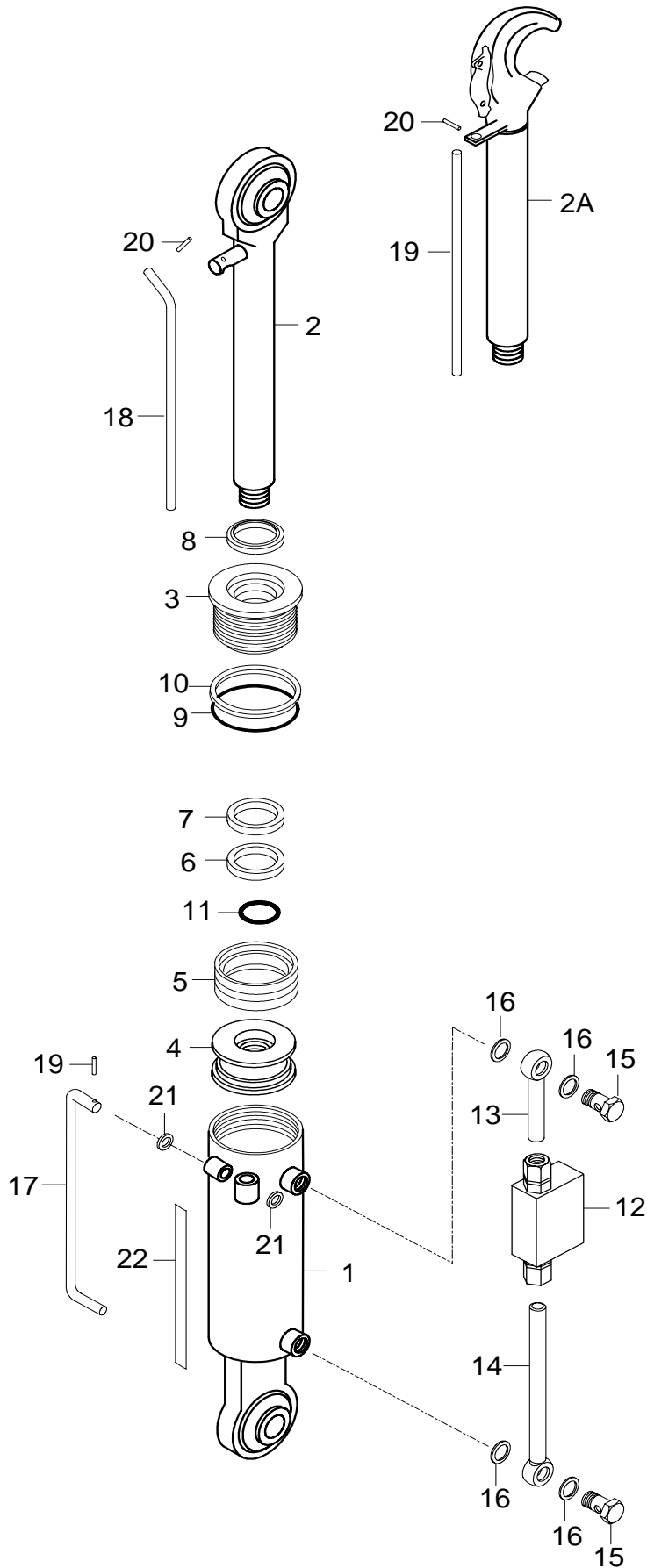
HYDRAULIC TOP
LINK (OPTIONAL
EQUIPMENT)

HYDRAULIK
OBERLENKER
(EXTRA ZUBEHÖR)

BARRE SUPERIEURE
HYDRAULIQUE
(EQUIPEM.
OPTIONNEL)

99-39

1.6.2007
T151eLS, T161LS, T171LS,
T191LS



HYDRAULINEN
TYÖNTÖVARSI
(LISÄVARUSTE)

HYDRAULISK
TOPPSTÅNG (EXTRA
UTRUSTNING)

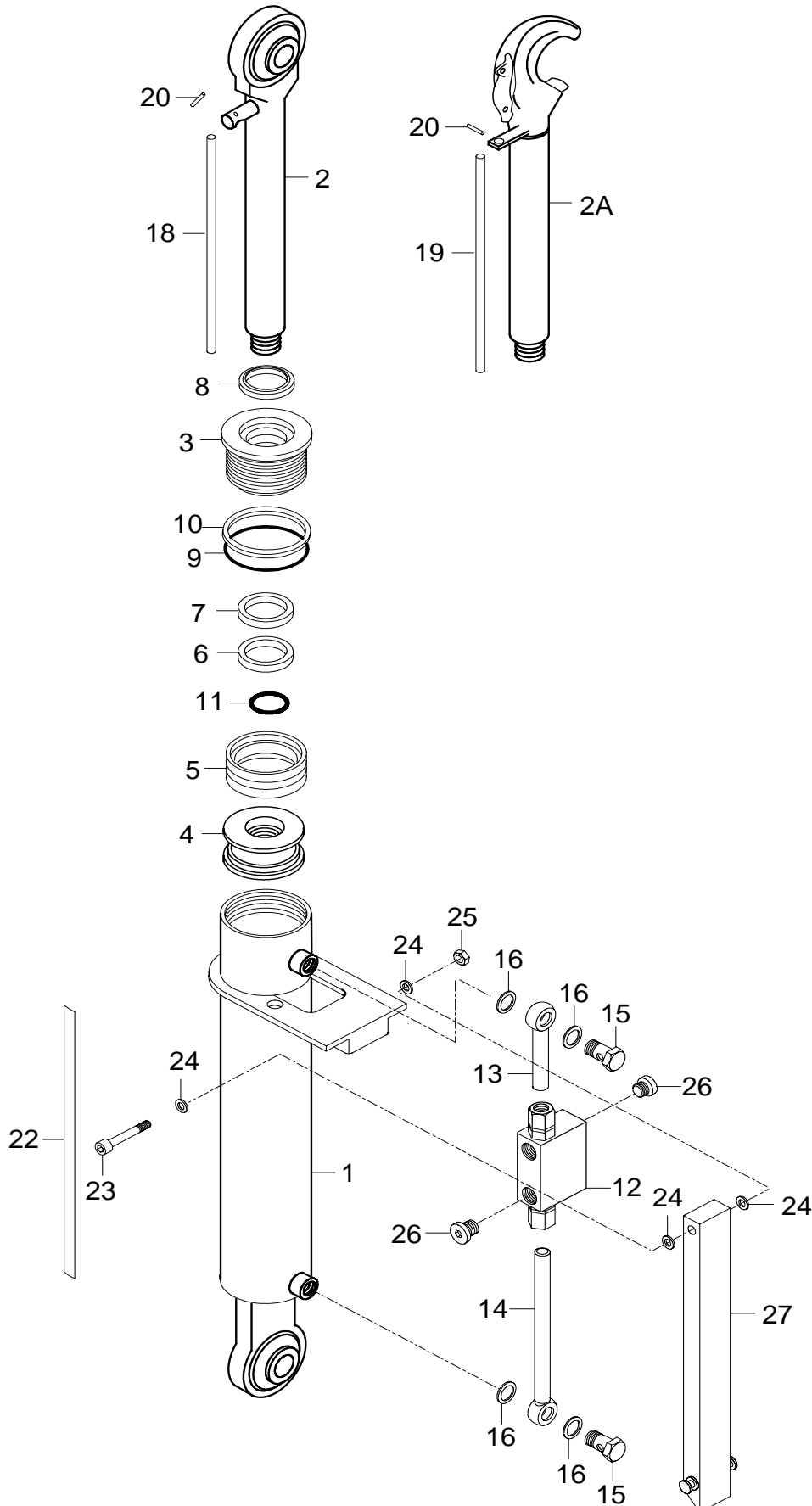
HYDRAULIC TOP
LINK (OPTIONAL
EQUIPMENT)

HYDRAULIK
OBERLENKER
(EXTRA ZUBEHÖR)

BARRE SUPERIEURE
HYDRAULIQUE
(EQUIPEM.
OPTIONNEL)

99-39A

1.6.2007
T151eLS, T161LS, T171LS,
T191LS



HYDRAULINEN
KALTEVUUSSÄÄDIN
(LISÄVARUSTE)

HYDRAULISK
LYFTLÄNKSVÄXEL
(EXTRA
UTRUSTNING)

HYDRAULIC
LEWELLING RAM
(OPTIONAL
EQUIPMENT)

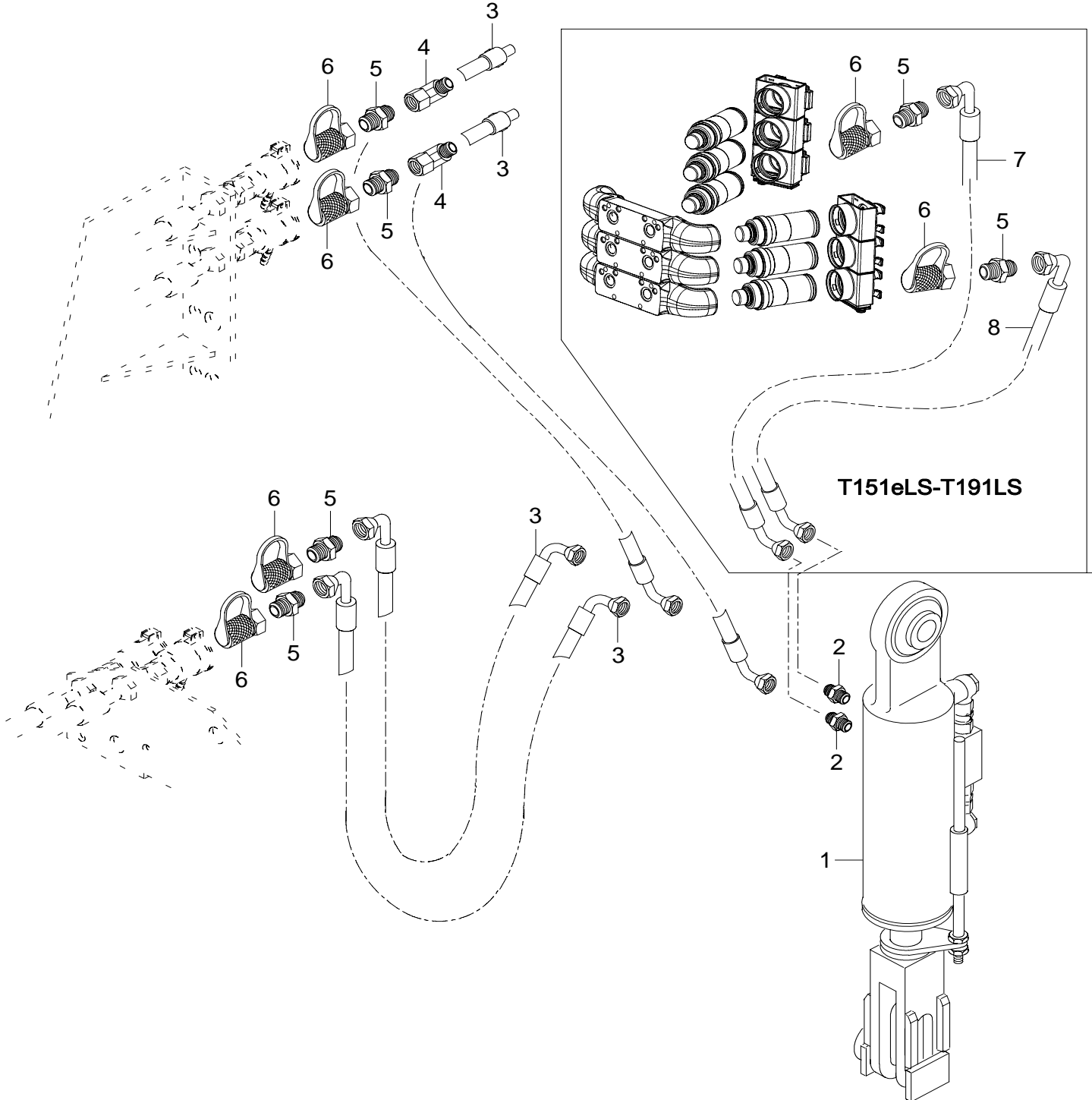
HYDRAULIK
HEB.STANGE-
GETRIEBE (EXTRA
ZUBEHÖR)

VIS DE REGLAGE
HYDRAULIQUE
(EQUIPEMENT
OPTIONNEL)

99-41

1.6.2007

T121c, T121h, T131c, T131h,
T151eh, T151eLS, T161c, T161h,
T161LS, T171c, T171h, T171LS,
T191h, T191LS



HYDRAULINEN
KALTEVUUSSÄÄDIN
(LISÄVARUSTE)

HYDRAULISK
LYFTLÄNKSVÄXEL
(EXTRA
UTRUSTNING)

HYDRAULIC
LEWELLING RAM
(OPTIONAL
EQUIPMENT)

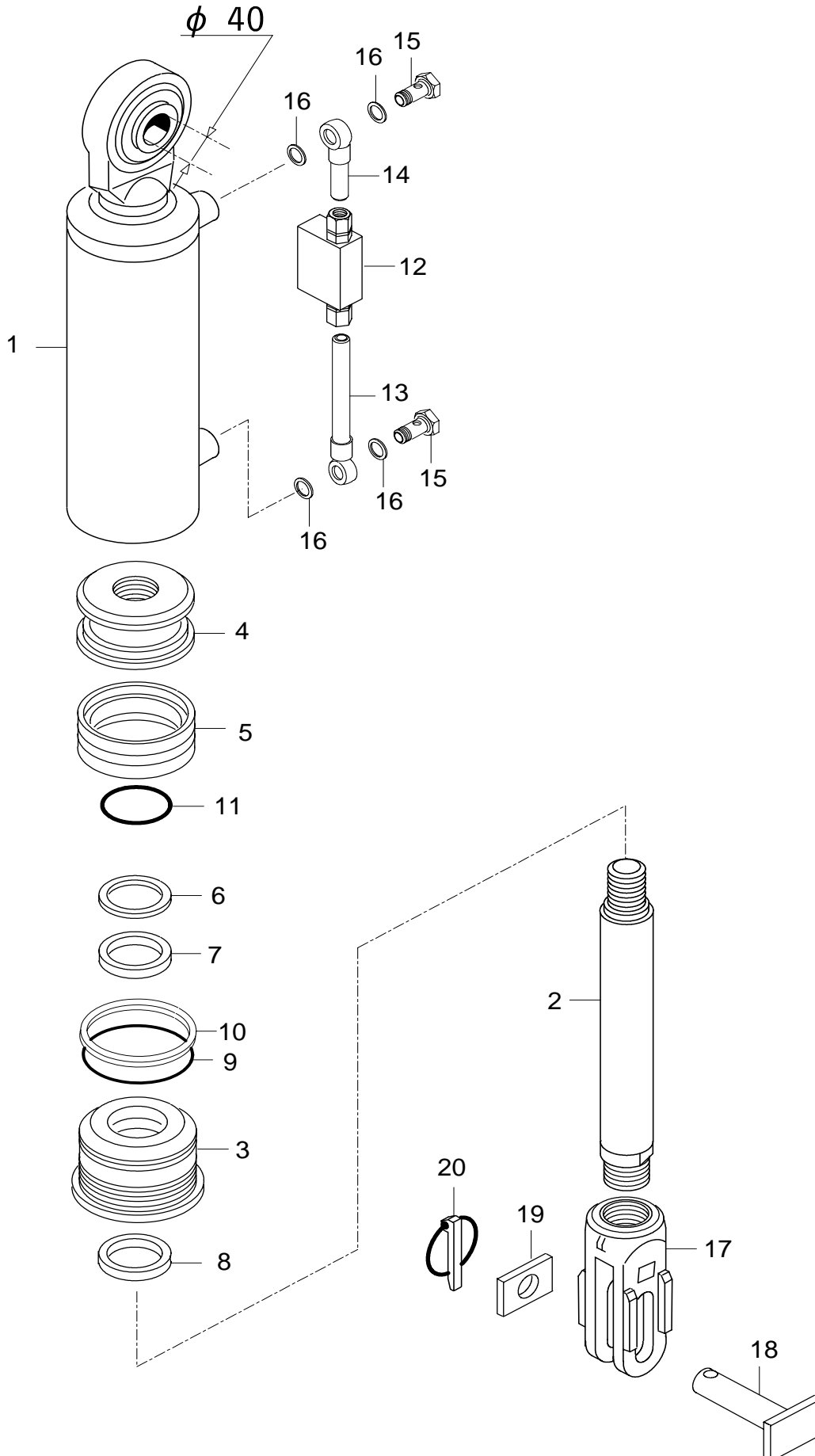
HYDRAULIK
HEB.STANGE-
GETRIEBE (EXTRA
ZUBEHÖR)

VIS DE REGLAGE
HYDRAULIQUE
(EQUIPEMENT
OPTIONNEL)

99-43

1.6.2007

T121c, T121h, T131c, T131h,
T151eh, T151eLS, T161c, T161h,
T161LS, T171c, T171h, T171LS,
T191h, T191LS



HYDR. KALT.SÄÄDIN
+ KÄSISUUNTAV.
(LISÄVARUSTE)

HYDRAULISK
LYFTLÄNKSVÄXEL +
VENTIL. (EXTRA
UTRUSTNING)

HYDR. LIFT SCREW + HYDR.
CONTR. VALVE
(OPTIONAL
EQUIPMENT)

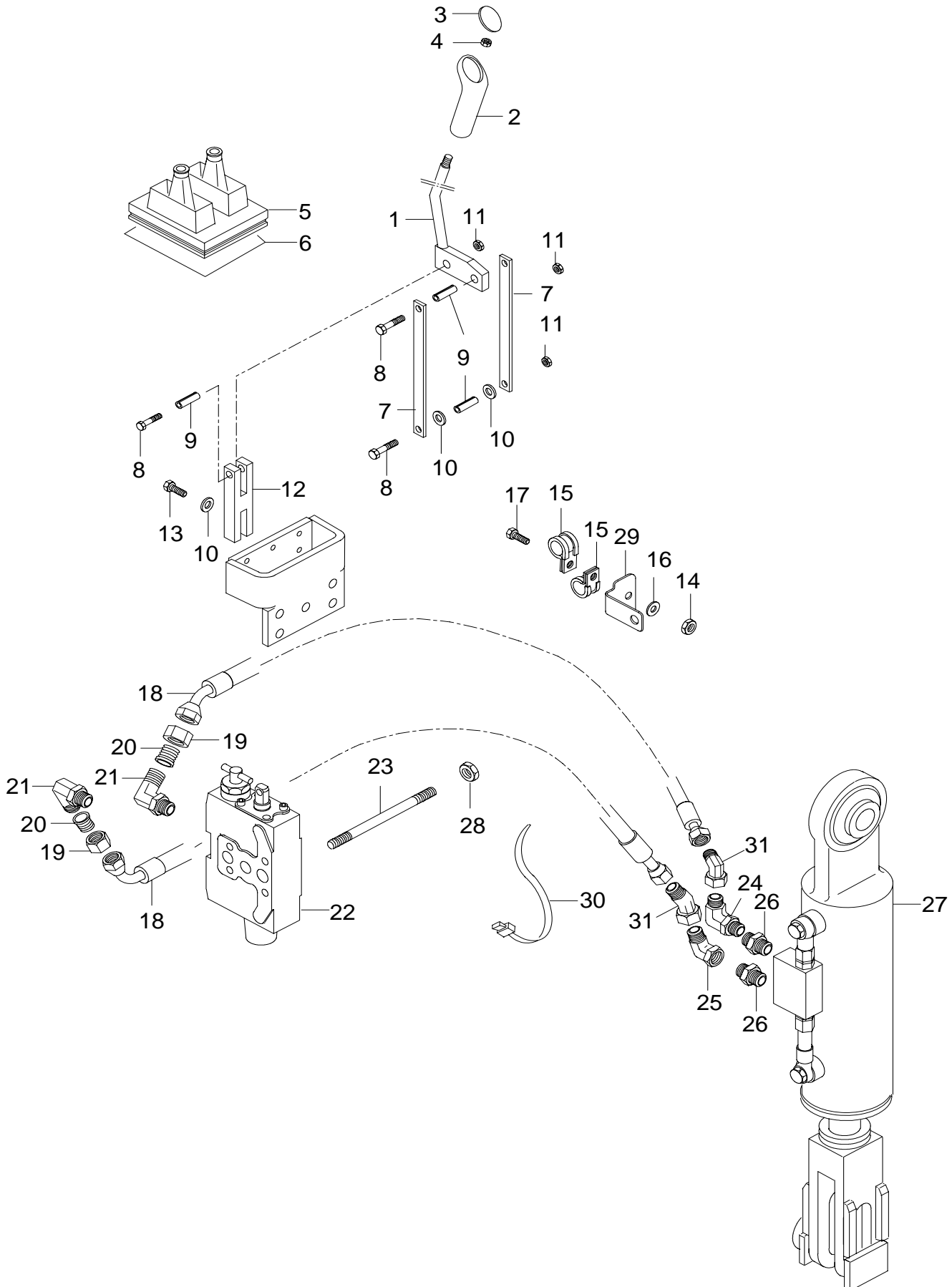
HEBESTANGEGETR.
+ HANDV. VENTIL
(EXTRA ZUBEHÖR)

VIS DE REGLAGE
HYDRAULIQUE +
DISTRIBUTEUR
(EQUIP. OP.)

99-45

1.6.2007

T121c, T121h, T131c, T131h,
T151eh, T161c, T161h, T171c,
T171h, T191h



HYDR. KALT.SÄÄDIN
+ ON/OFF VENTTIILI
(LISÄVARUSTE)

HYDRAULISK
LYFTLÄNKSVÄXEL +
ON/OFF VENTIL
(EXTRA
UTRUSTNING)

HYDR. LIFT SCREW + HYDR.
ON/OFF VALVE
(OPTIONAL
EQUIPMENT)

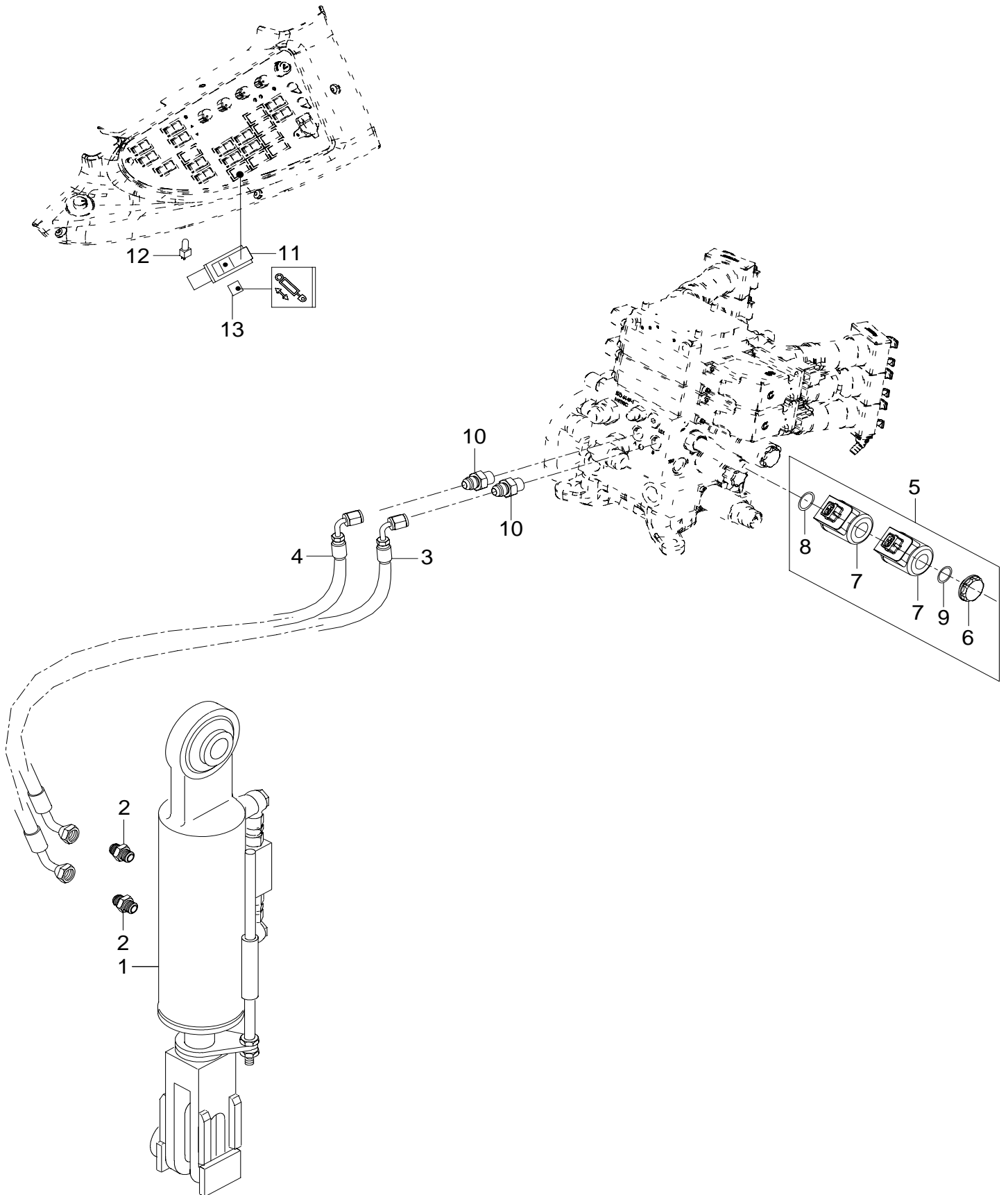
HEBESTANGEGETR.
+ ON/OFF VENTIL
(EXTRA ZUBEHÖR)

VIS DE REGLAGE
HYDRAULIQUE +
ON/OFF SOUNAPE
(EQUIP. OP.)

99-45A

1.6.2007

T151eLS, T161LS, T171LS,
T191LS



SIVURAJOITTAJA
(LISÄVARUSTE)

SIDOBEGRÄNSARE
(EXTRA
UTRUSTNING)

SIDE REGULATOR
(OPTIONAL
EQUIPMENT)

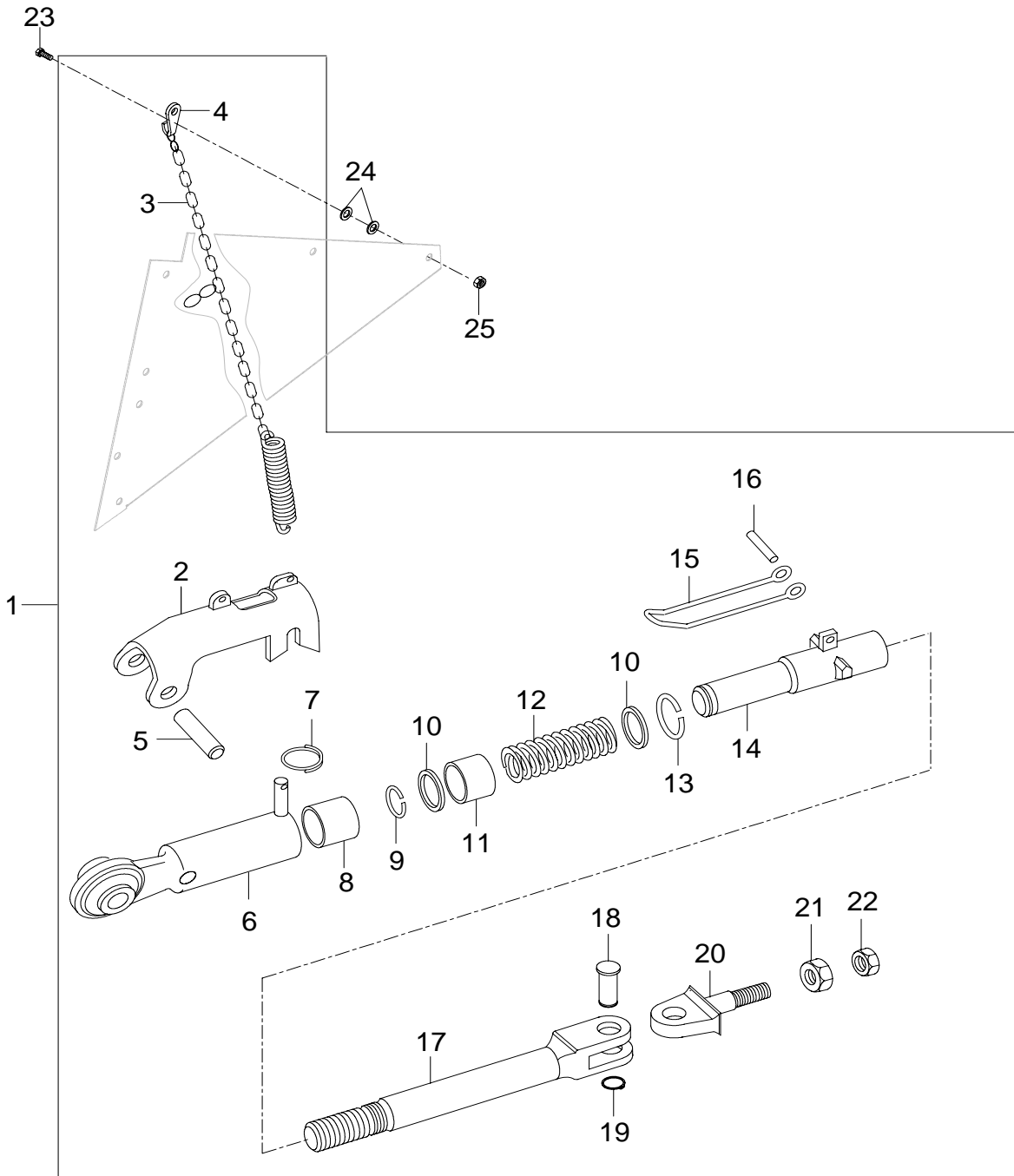
SEITENBEGRÄNZER
(EXTRA ZUBEHÖR)

REGULATEUR
LATERAL
(EQUIPEMENT
OPTIONNEL)

99-47

1.6.2007

T121c, T121h, T131c, T131h,
T151eh, T151eLS, T161c, T161h,
T161LS, T171c, T171h, T171LS,
T191h, T191LS



LISÄVENTTIILIT
(LISÄVARUSTE)

EXTRA VENTILER
(EXTRA
UTRUSTNING)

ADDITIONAL VALVES
(OPTIONAL
EQUIPMENT)

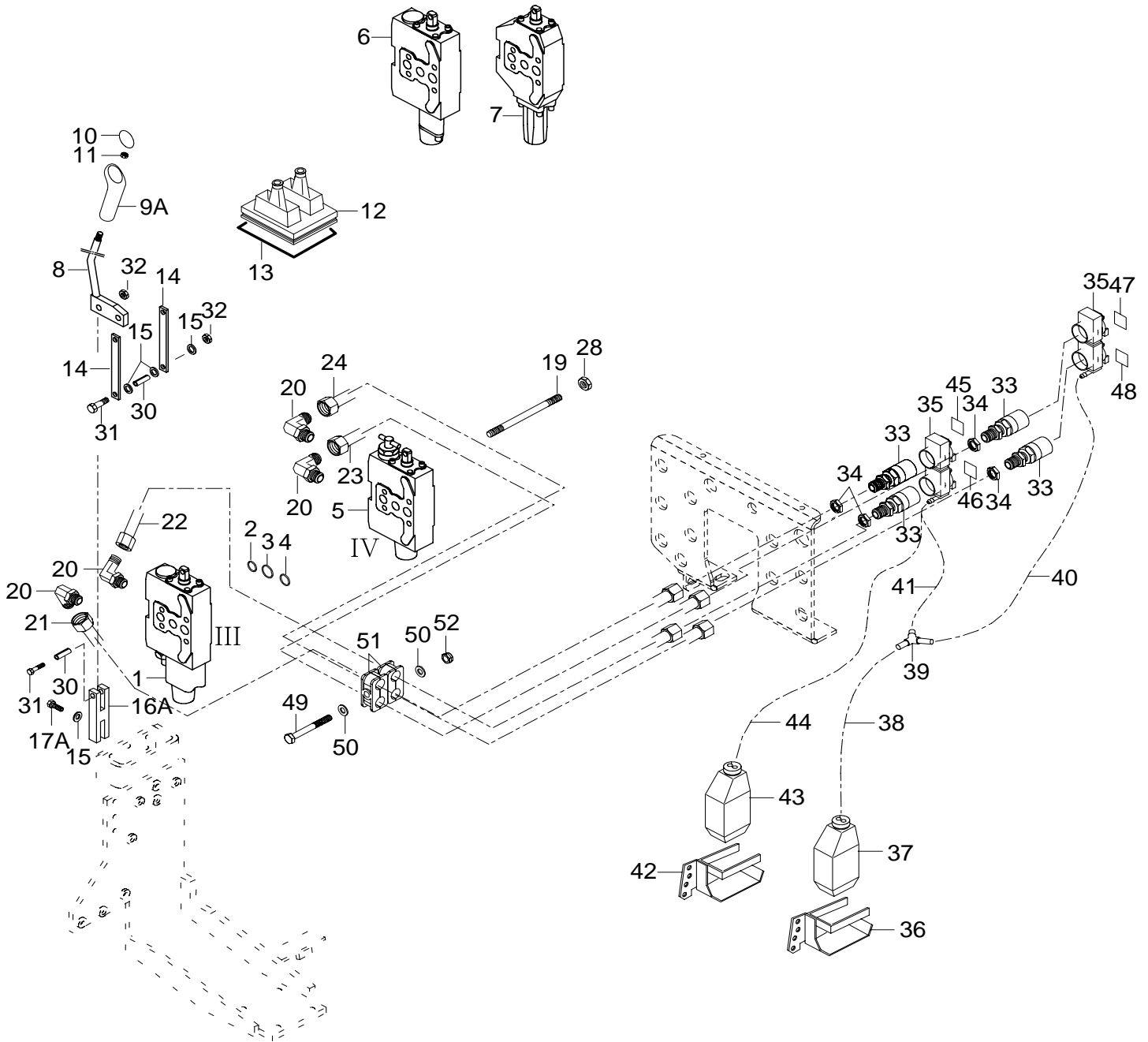
ZUSATZSTEUERVENT
ILE (EXTRA
ZUBEHÖR)

DISTRIBUTEURS
SUPPLÉMENTAIRES
(EQUIPEMENT
OPTIONNEL)

99-49

1.6.2007

T121c, T121h, T131c, T131h,
T151eh, T161c, T161h, T171c,
T171h, T191h



VIRRANSÄÄTÖVENTTI
IILISOVITUS
(LISÄVARUSTE)

TIL (EXTRA
UTRUSTNING)

FLOW CONTROL
VALVE SYSTEM
(OPTIONAL
EQUIPMENT)

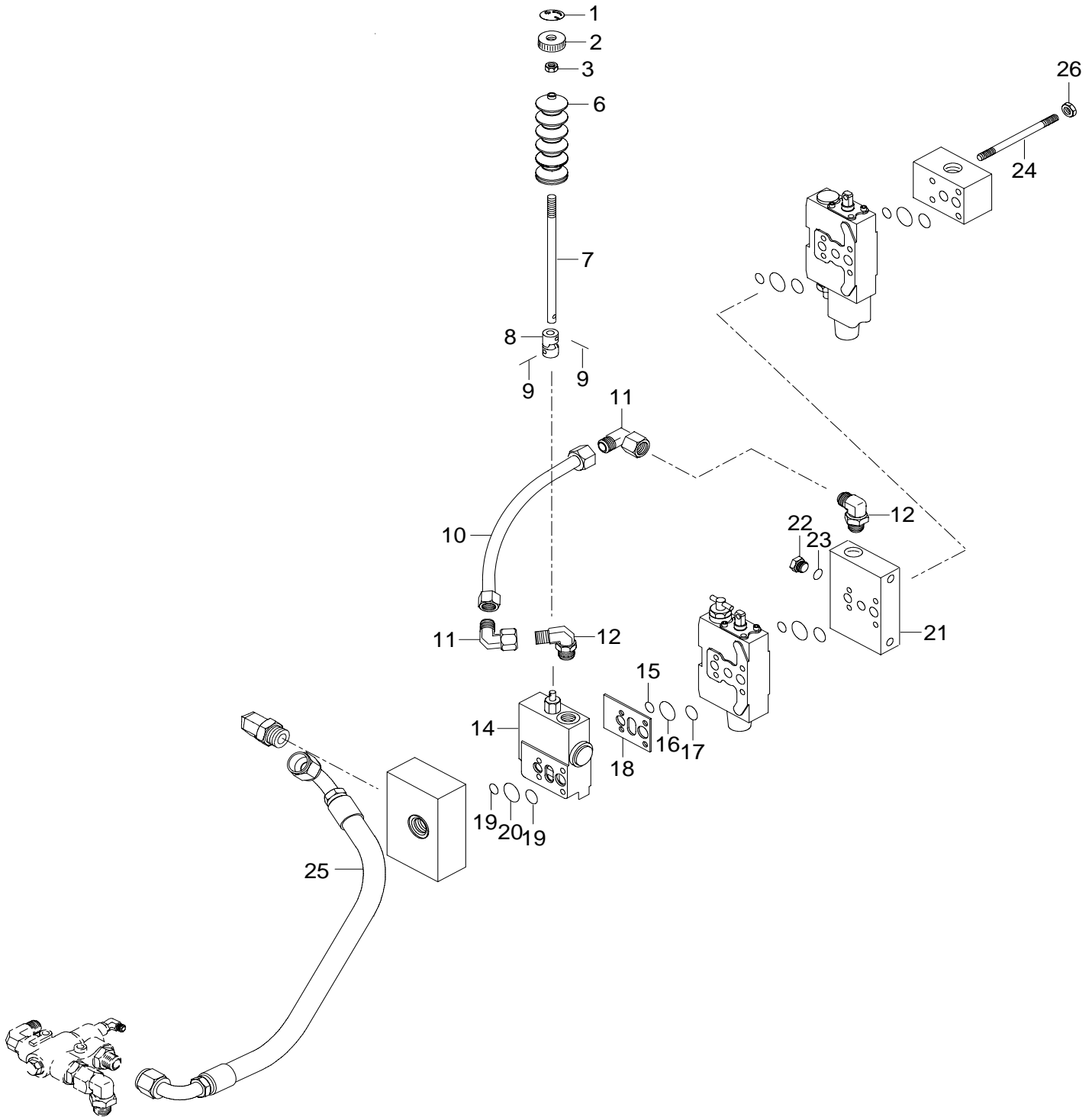
FLUBREGELVENTIL
ANPAß (EXTRA
ZUBEHÖR)

SYSTEME DE VALVE
DE COMMANDE DE
FLUX (EQUIP.
OPTION.)

99-53

1.6.2007

T121c, T121h, T131c, T131h,
T151eh, T161c, T161h, T171c,
T171h, T191h



VAPAA PALUU
SOVITUS
(LISÄVARUSTE)

RETUROLJE-
INSLUTNING (EXTRA
UTRUSTNING)

FREE RETURN
SYSTEM (OPTIONAL
EQUIPMENT)

FREI-RÜCKKEHR
ANPAß
(EXTRAZUBEHÖR)

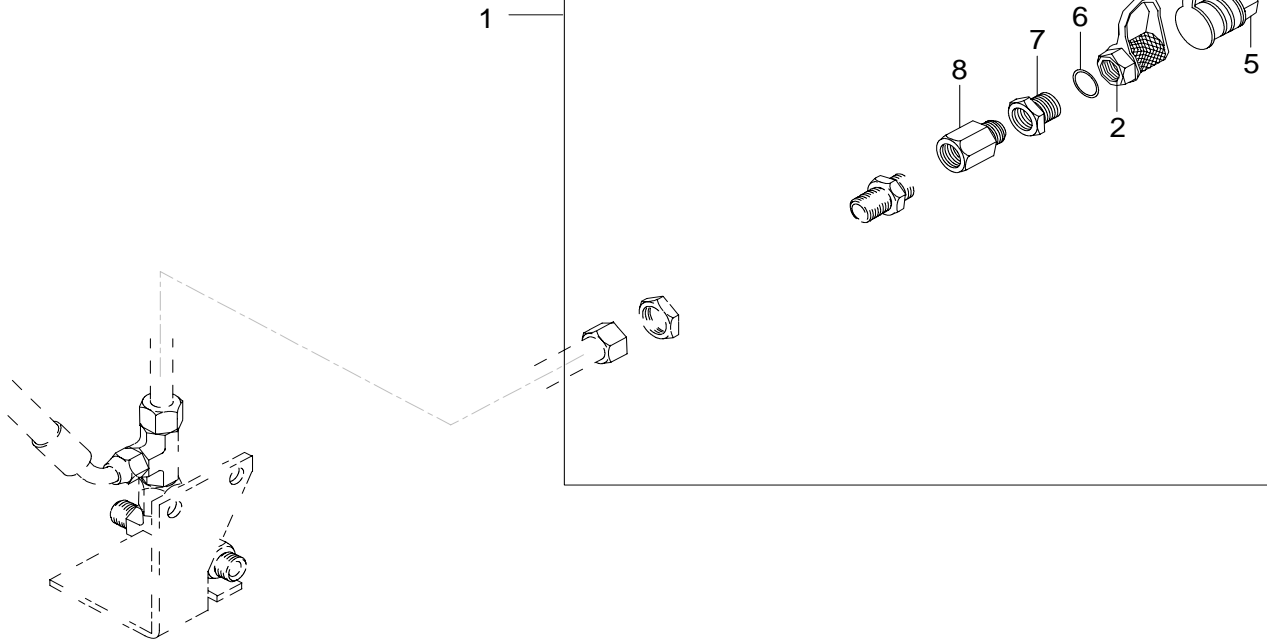
SYSTEME DE
RETOUR LIBRE
(EQUIPEMENT
OPTIONNEL)

99-55

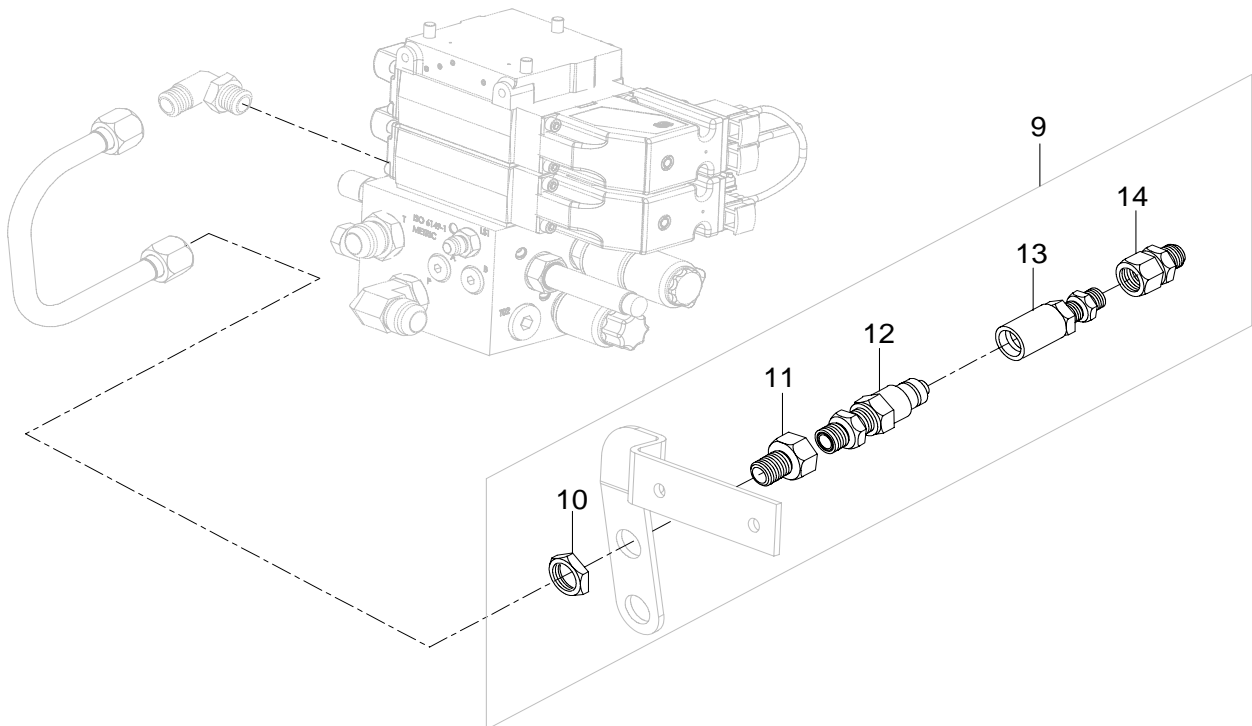
1.6.2007

T121c, T121h, T131c, T131h,
T151eh, T151eLS, T161c, T161h,
T161LS, T171c, T171h, T171LS,
T191h, T191LS

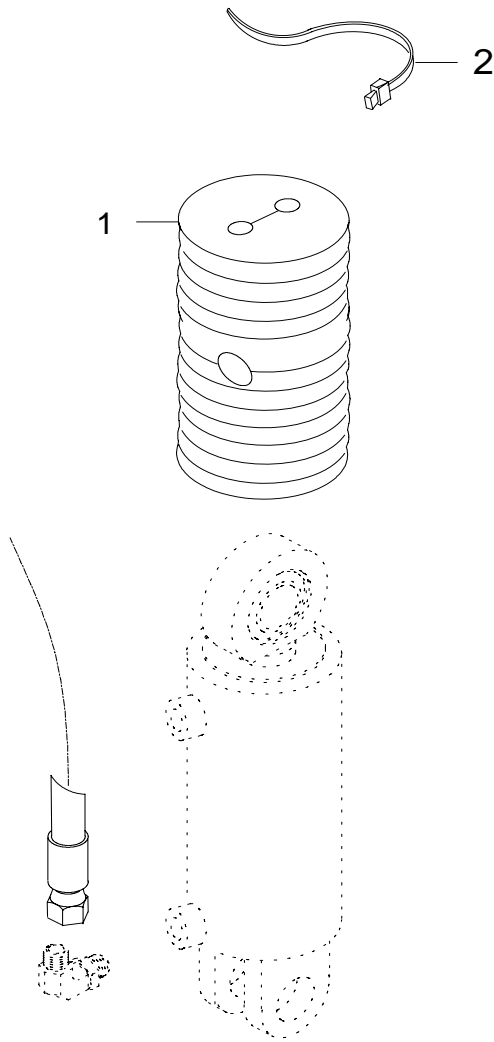
T121c-T191h



T151eLS-T191LS



| | | | | | |
|-----------------------------------|---|--|------------------------------------|--|--|
| SYLINTERINSUOJAT (LISÄVARUSTE) | SKYDD FÖR CYLINDER (EXTRA UTRUSTNING) | PROTECTIVE COVERING FOR CYL. (OPTIONAL EQUIPMENT) | ZYLINDERSCHUTZE (EXTRA ZUBEHÖR) | PROTECTION CYLINDRE (EQUIPEM. OPTIONNEL) | 99-57 1.6.2007 T121c, T121h, T131c, T131h, T151eh, T151eLS, T161c, T161h, T161LS, T171c, T171h, T171LS, T191h, T191LS |
|-----------------------------------|---|--|------------------------------------|--|--|



ETUNOSTOLAITE
(LISÄVARUSTE)

FRAMLYFT (EXTRA
UTRUSTNING)

FRONT LIFT
(OPTIONAL
EQUIPMENT)

FRONTHEBER
(EXTRA ZUBEHÖR)

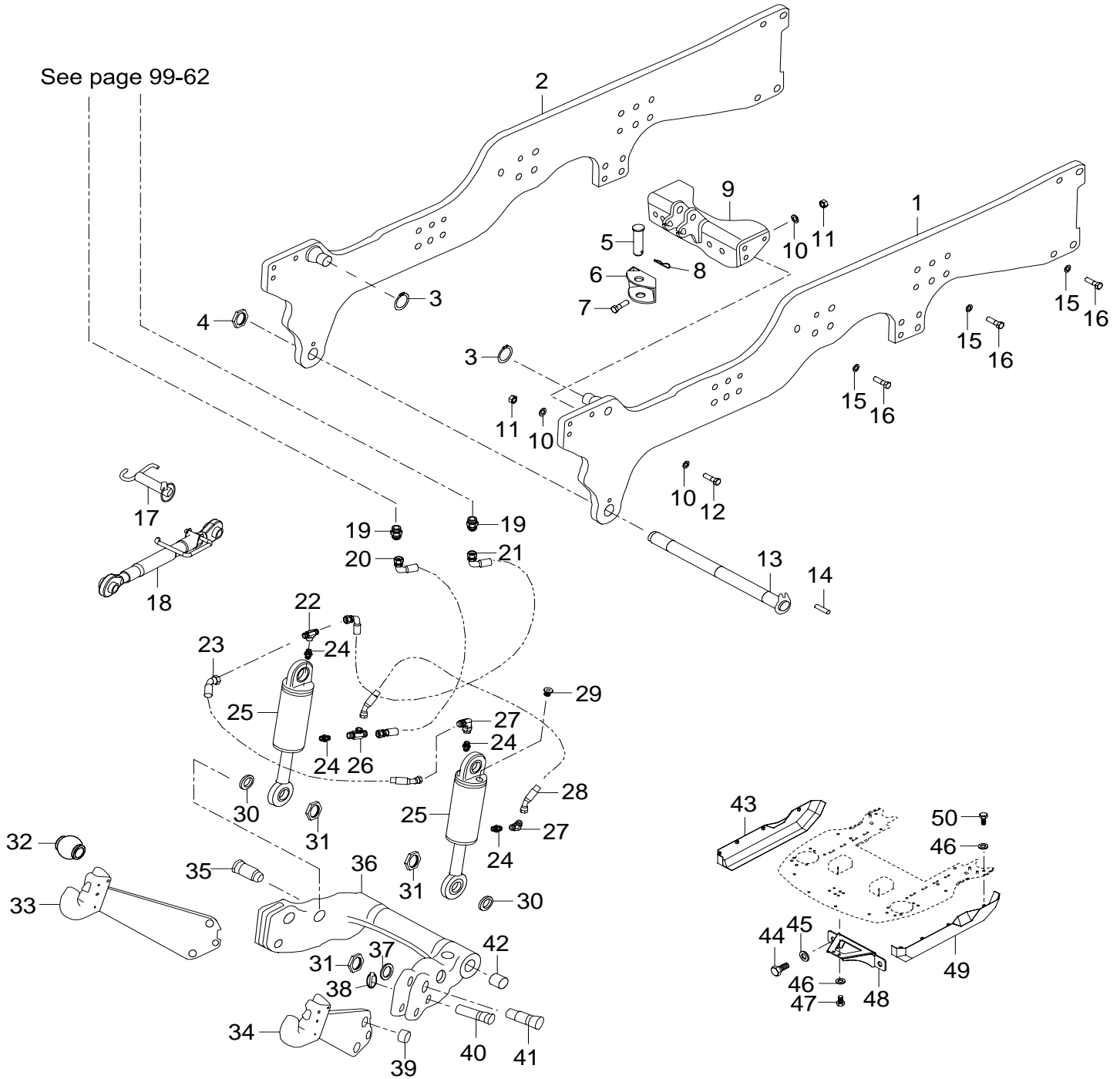
RELEVAGEFRONTAL
(EQUIPEMENT
OPTIONNEL)

99-59

1.6.2007

T121c, T121h, T131c, T131h,
T151eh, T151eLS, T161c, T161h,
T161LS, T171c, T171h, T171LS,
T191h, T191LS

See page 99-62



ETUNOSTOLAITE
(LISÄVARUSTE)

FRAMLYFT (EXTRA
UTRUSTNING)

FRONT LIFT
(OPTIONAL
EQUIPMENT)

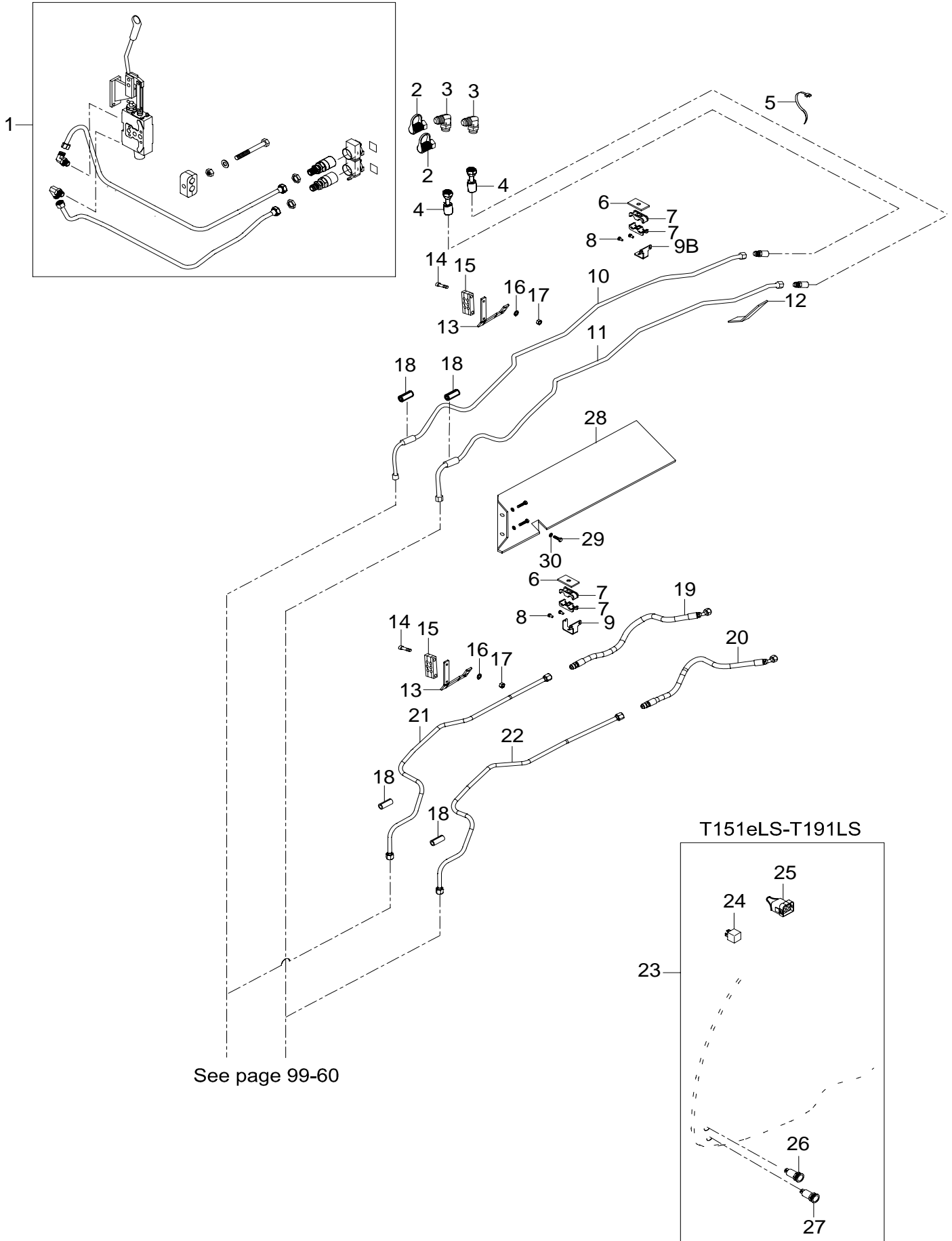
FRONTHEBER
(EXTRA ZUBEHÖR)

RELEVAGEFRONTAL
(EQUIPEMENT
OPTIONNEL)

99-61

1.6.2007

T121c, T121h, T131c, T131h,
T151eh, T151eLS, T161c, T161h,
T161LS, T171c, T171h, T171LS,
T191h, T191LS



NOSTOSYLINTERI
(LISÄVARUSTE)

LYFTCYLINDER
(EXTRA
UTRUSTNING)

LIFT CYLINDER
(OPTIONAL
EQUIPMENT)

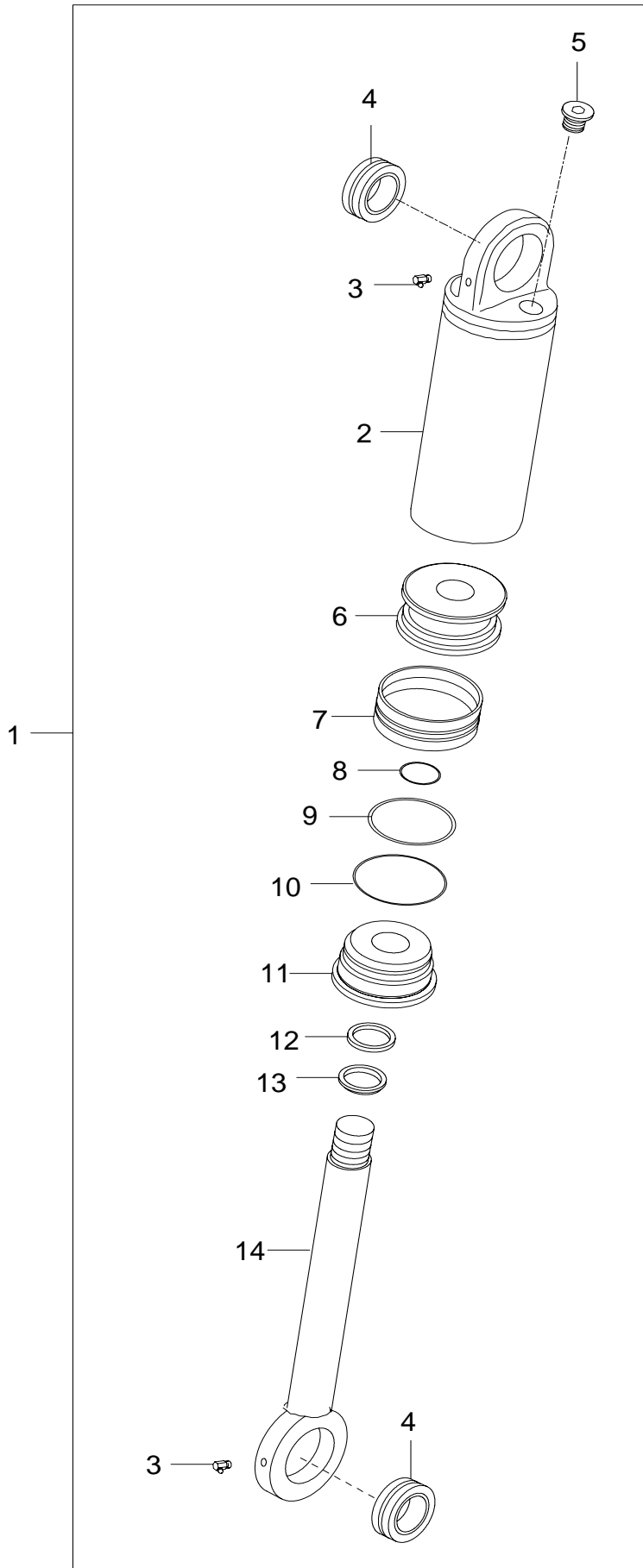
HEBEZYLINDER
(EXTRA ZUBEHÖR)

VERIN DE RELEVAGE
(EQUIPEMENT
OPTIONNEL)

99-63

1.6.2007

T121c, T121h, T131c, T131h,
T151eh, T151eLS, T161c, T161h,
T161LS, T171c, T171h, T171LS,
T191h, T191LS



ETUPIKALIITTIMET
(LISÄVARUSTE)

FRAMSNABBKOPPLI
NGAR (EXTRA
UTRUSTNING)

FRONT QUICK
CCOUPPLERS
(OPTIONAL
EQUIPMENT)

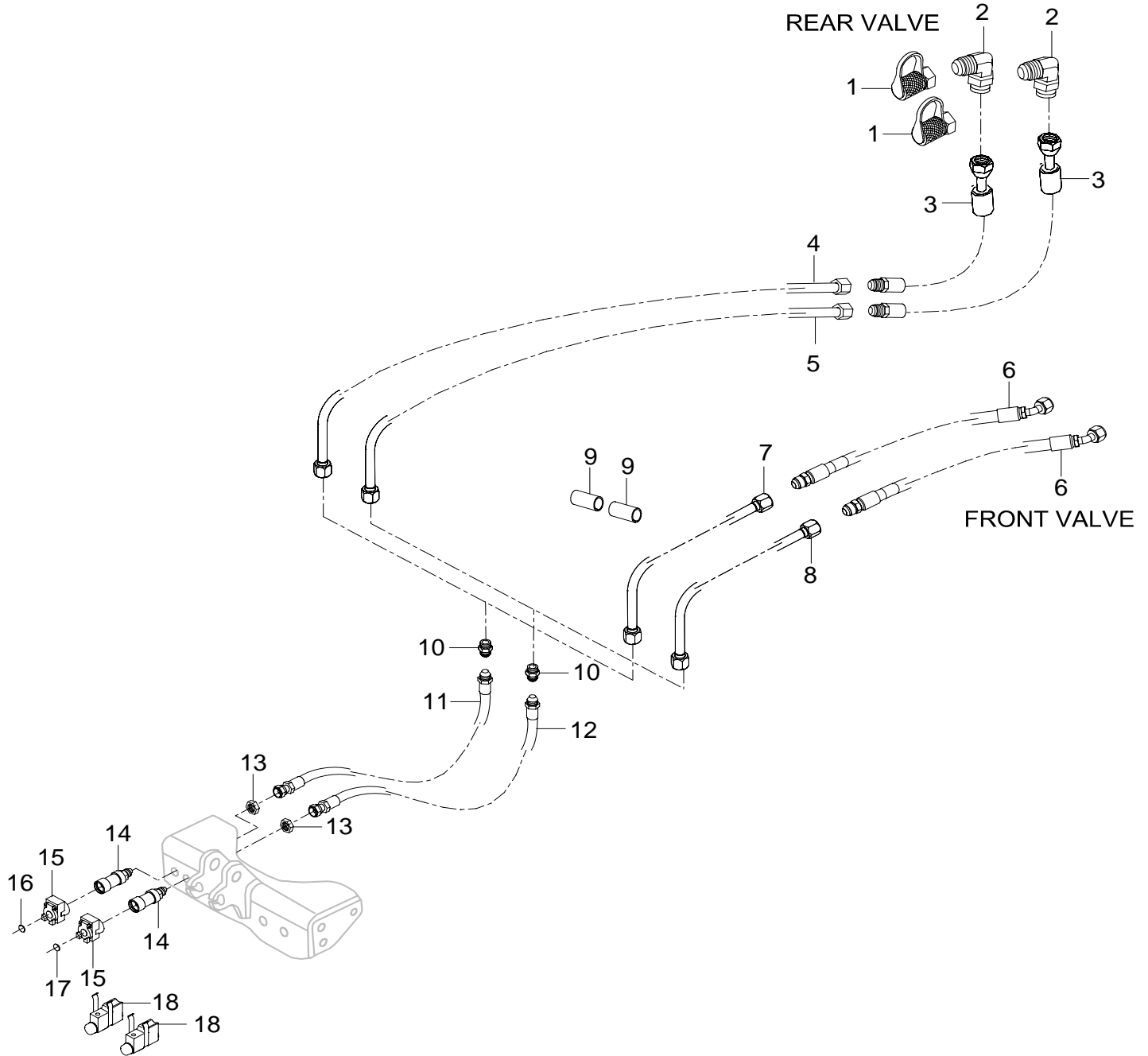
FRONTSCHNELLKUP
PLUNG (EXTRA
ZUBEHÖR)

RACCORD RAPIDE
FRONTAL
(EQUIPEMENT
OPTIONNEL)

99-65

1.6.2007

T121c, T121h, T131c, T131h,
T151eh, T151eLS, T161c, T161h,
T161LS, T171c, T171h, T171LS,
T191h, T191LS



ETUVENTTIILI
(LISÄVARUSTE)

FRAMVENTIL (EXTRA
UTRUSTNING)

FRONT VALVE
(OPTIONAL
EQUIPMENT)

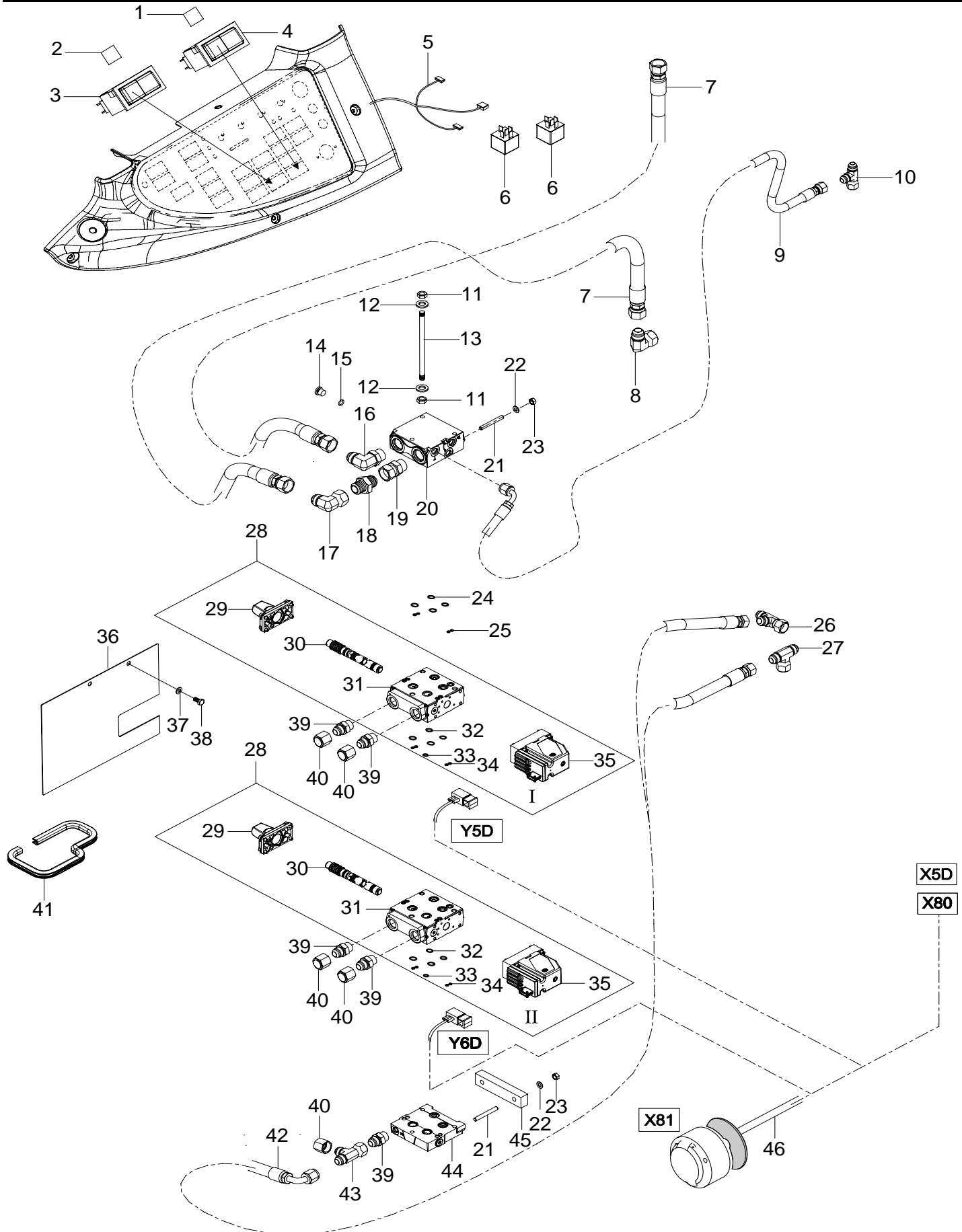
FRONTVENTIL
(EXTRA ZUBEHÖR)

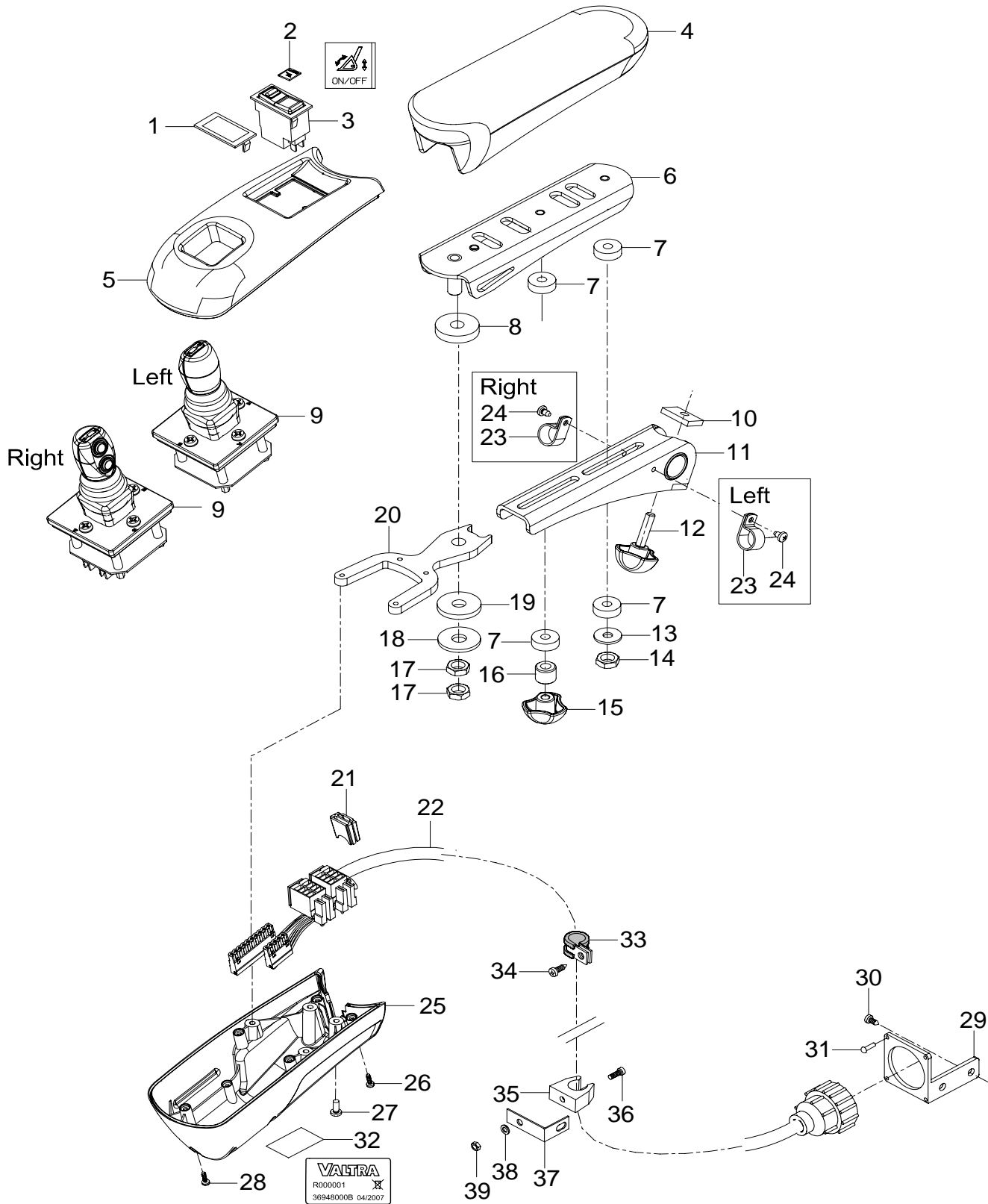
SOUPAPE AVANT
(EQUIPEMENT
OPTIONNEL)

99-67

1.6.2007

T121c, T121h, T131c, T131h,
T151eh, T161c, T161h, T171c,
T171h, T191h





ETUVENTTIILI
(LISÄVARUSTE)

FRAMVENTIL (EXTRA
UTRUSTNING)

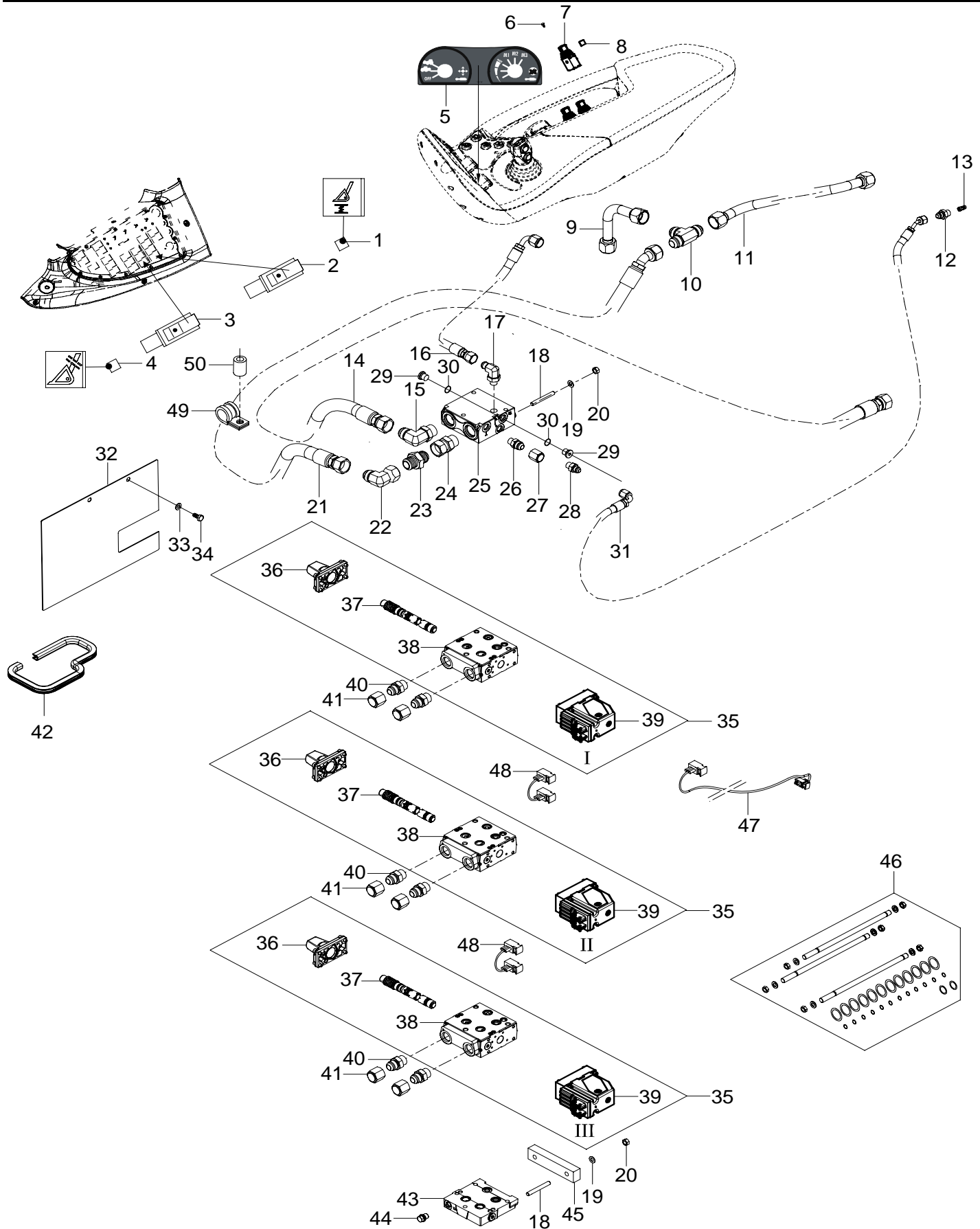
FRONT VALVE
(OPTIONAL
EQUIPMENT)

FRONTVENTIL
(EXTRA ZUBEHÖR)

SOUPAPE AVANT
(EQUIPEMENT
OPTIONNEL)

99-71

1.6.2007
T151eLS, T161LS, T171LS,
T191LS



ETUVENTTIILI
(LISÄVARUSTE)

FRAMVENTIL (EXTRA
UTRUSTNING)

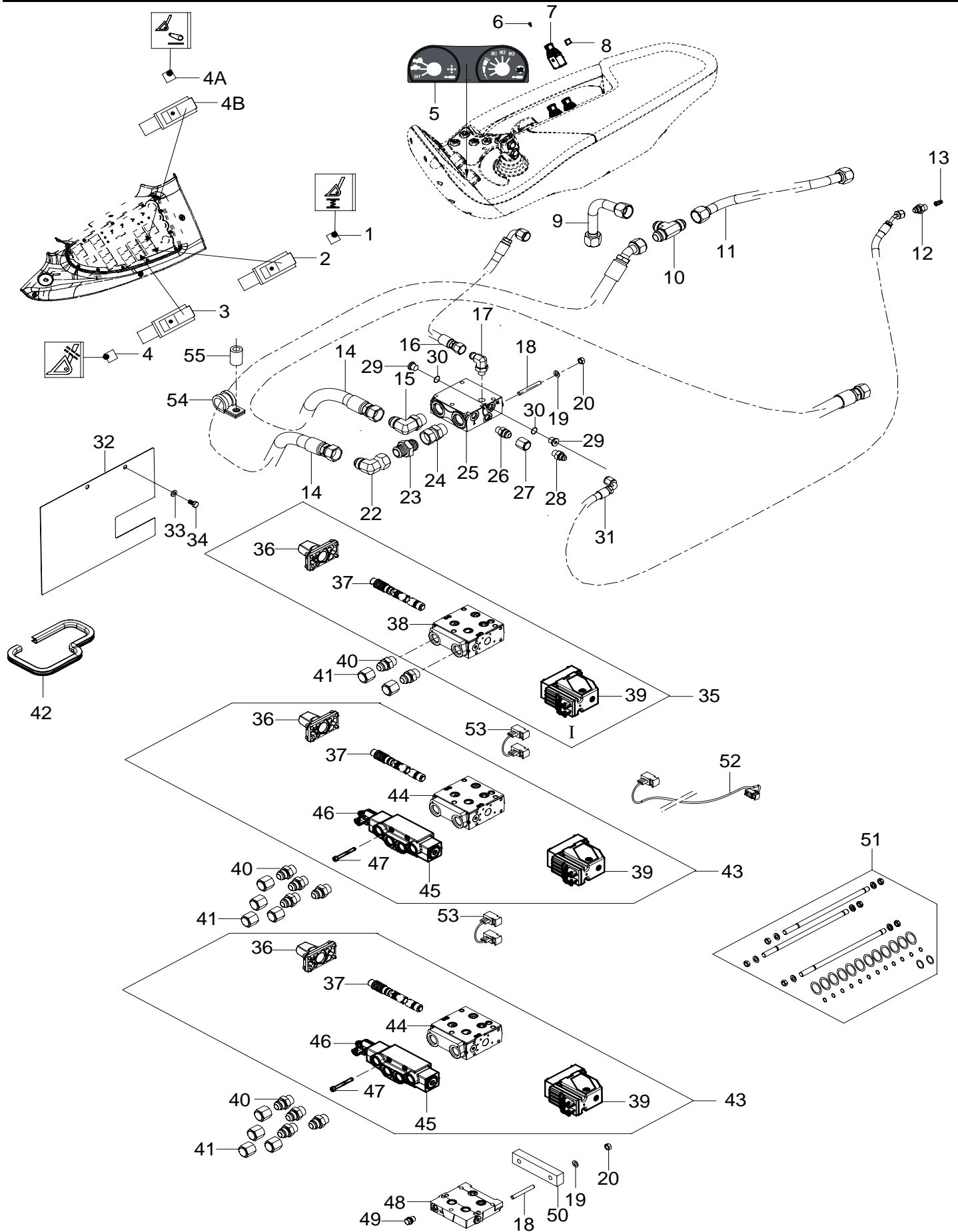
FRONT VALVE
(OPTIONAL
EQUIPMENT)

FRONTVENTIL
(EXTRA ZUBEHÖR)

SOUPAPE AVANT
(EQUIPEMENT
OPTIONNEL)

99-73

1.6.2007
T151eLS, T161LS, T171LS,
T191LS



ETUKUORMAIN
VALMIUS
(LISÄVARUSTE)

BEREDSKAP FÖR
FÖRELASTARE
(EXTRA
UTRUSTNING)

FRONT LOADER
FACILITY (OPTIONAL
EQUIPMENT)

BEREITSCHAFT FÜR
FRONTLADER
(EXTRAZUBEHÖR)

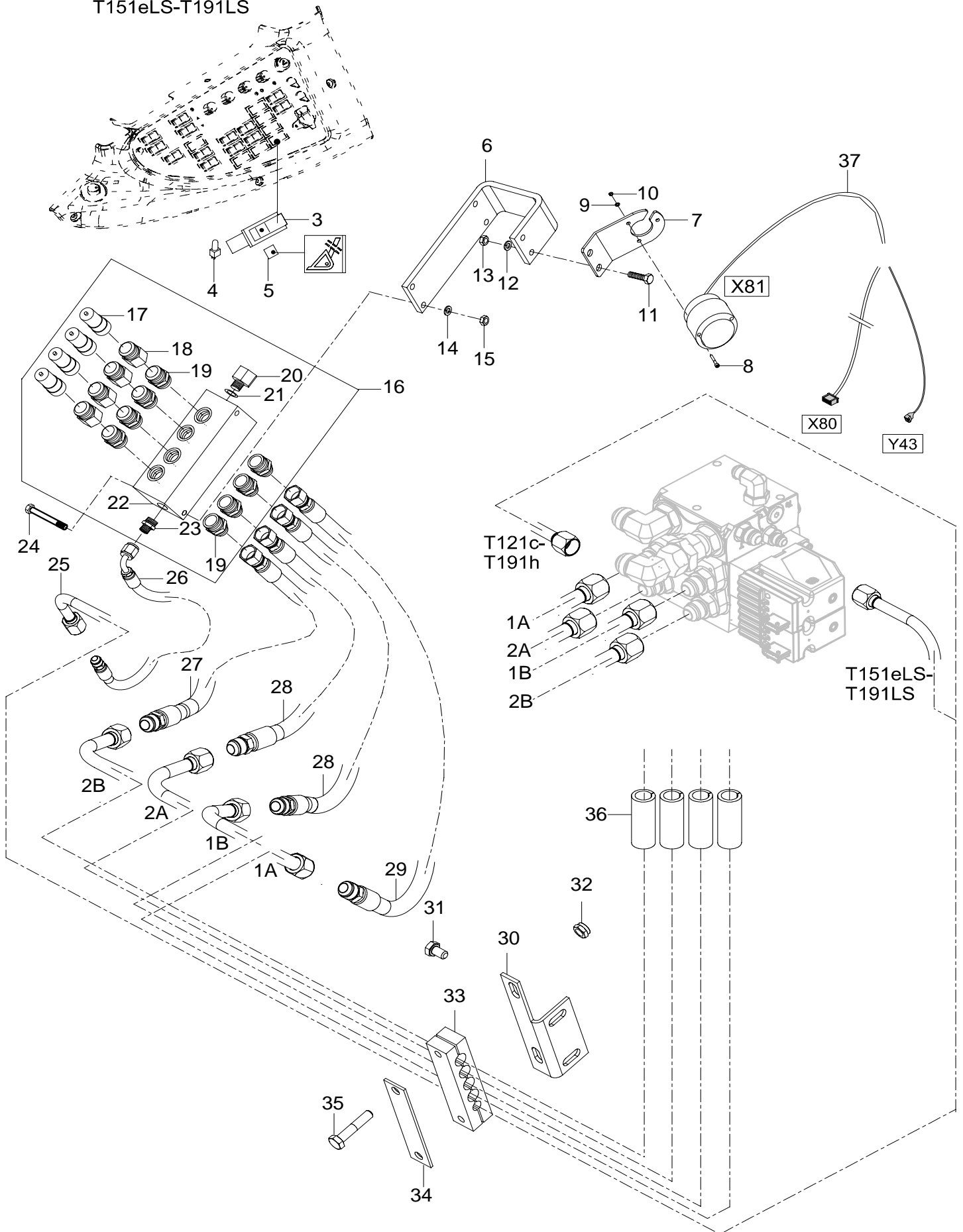
DISPONIBILITÉ DE
CHARGEUSE
D'AVANT
(EQUIPEMENT
OPTIONNEL)

99-75

1.6.2007

T121c, T121h, T131c, T131h,
T151eh, T151eLS, T161c, T161h,
T161LS, T171c, T171h, T171LS,
T191h, T191LS

T151eLS-T191LS



ETUKUORMAIN
VALMIUS
(LISÄVARUSTE)

BEREDSKAP FÖR
FÖRELASTARE
(EXTRA
UTRUSTNING)

FRONT LOADER
FACILITY (OPTIONAL
EQUIPMENT)

BEREITSCHAFT FÜR
FRONTLADER
(EXTRAZUBEHÖR)

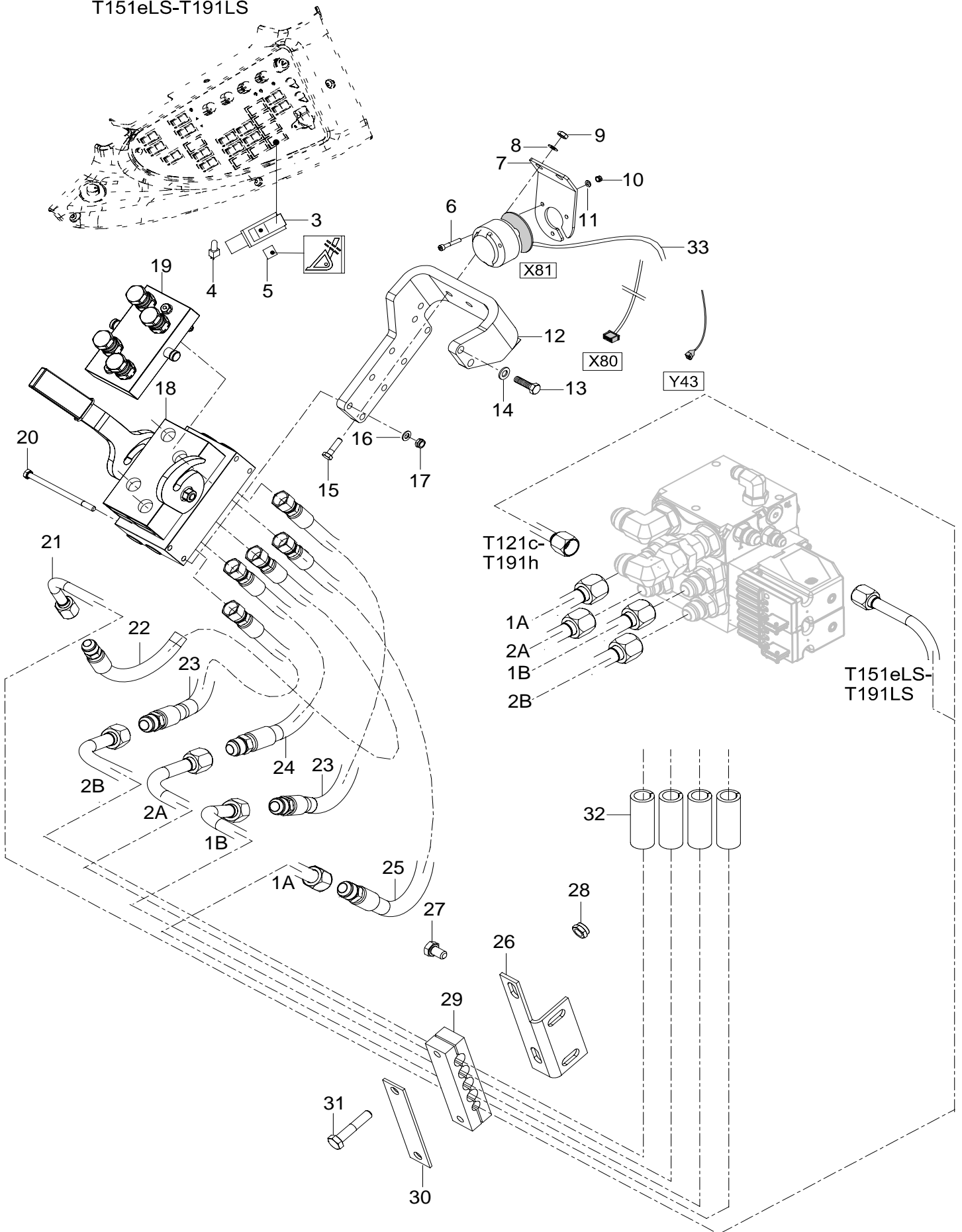
DISPONIBILITÉ DE
CHARGEUSE
D'AVANT
(EQUIPEMENT
OPTIONNEL)

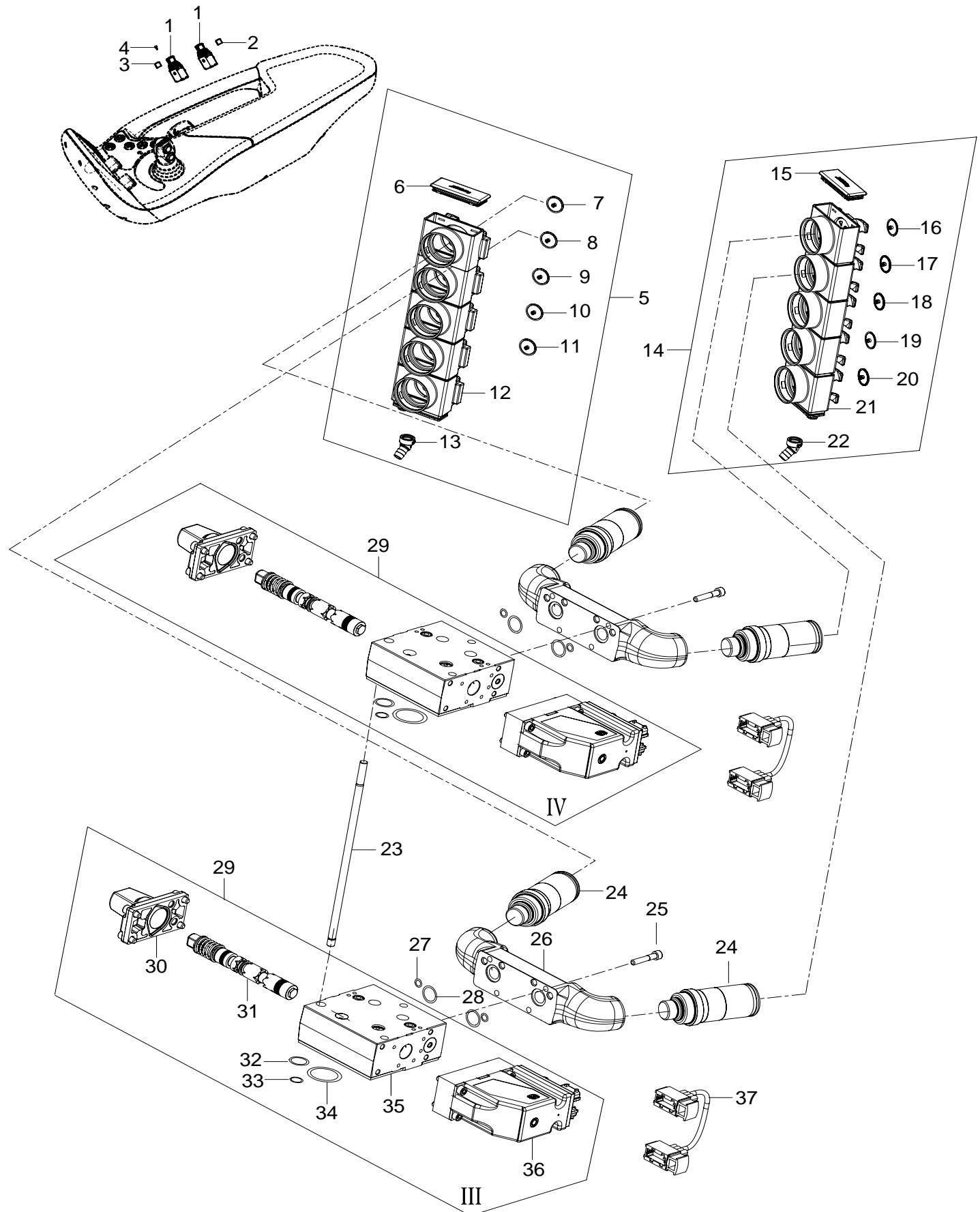
99-77

1.6.2007

T121c, T121h, T131c, T131h,
T151eh, T151eLS, T161c, T161h,
T161LS, T171c, T171h, T171LS,
T191h, T191LS

T151eLS-T191LS





LISÄVENTTIILIT
(LISÄVARUSTE)

TILLSATSVENTILER
(EXTRA
UTRUSTNING)

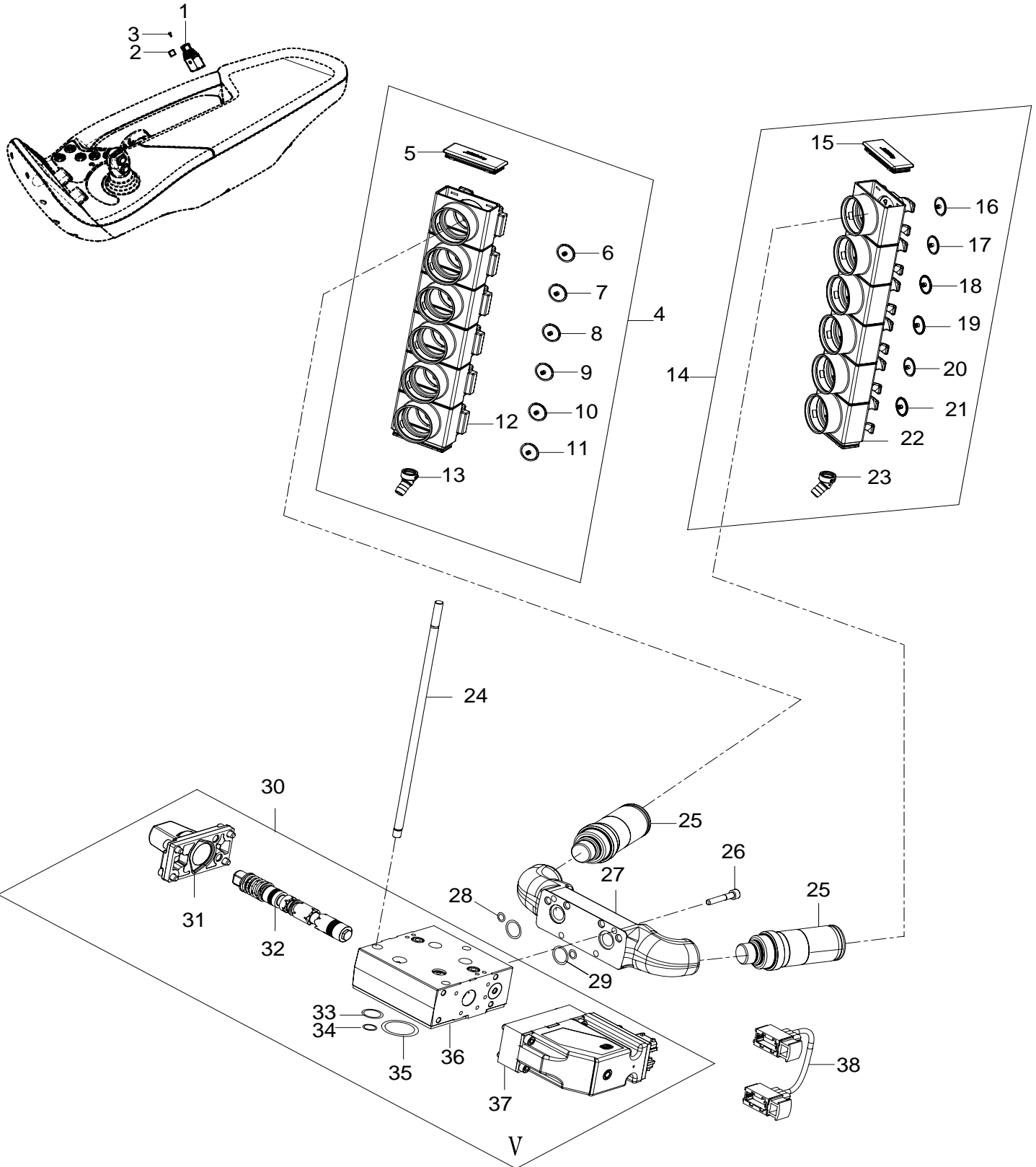
ADDITIONAL VALVES
(OPTIONAL
EQUIPMENT)

ZUZATSVENTILE
(EXTRA ZUBEHÖR)

VALVES
ADDITIONELS
(EQUIPEMENT
OPTIONNEL)

99-81

1.6.2007
T151eLS, T161LS, T171LS,
T191LS



ON/OFF
LISÄVENTTIILIT
(LISÄVARUSTE)

ON/OFF
TILLSATSVENTILER
(EXTRA
UTRUSTNING)

ON/OFF ADDITIONAL
VALVES (OPTIONAL
EQUIPMENT)

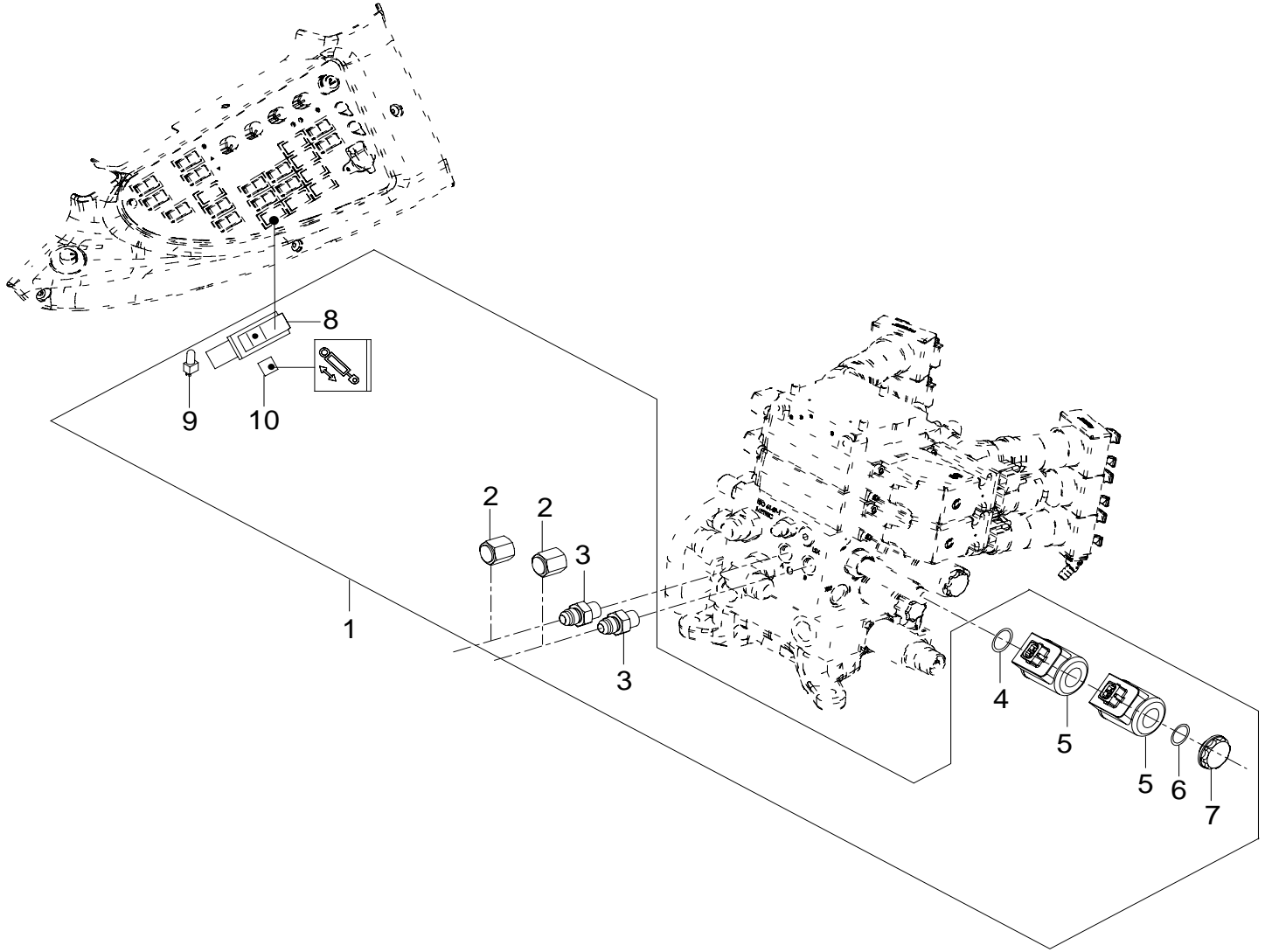
ON/OFF
ZUZATSVENTILE
(EXTRA ZUBEHÖR)

ON/OFF VALVES
ADDITIONELS
(EQUIPEMENT
OPTIONNEL)

99-83

1.6.2007

T151eLS, T161LS, T171LS,
T191LS



POWER BEYOND
LIITTIMET
(LISÄVARUSTE)

POWER BEYOND
NIPPLAR (EXTRA
UTRUSTNING)

POWER BEYOND
COUPLINGS
(OPTIONAL
EQUIPMENT)

POWER BEYOND
ANSCHLÜSSEN
(EXTRAZUBEHÖR)

RACCORDS POER
BEYOND
(EQUIPEMENT
OPTIONNEL)

99-85

1.6.2007
T151eLS, T161LS, T171LS,
T191LS

